

DIGITRACT 4

DIGITRACT 4

*"4" Perfect Zone Control
"4" Home or Business Applications*



"4" Consumers Who Want Comfort! Digitract Delivers!

- 4 Zone Auto Changeover System
- Initiate Heating or Cooling from "Any" Zone Thermostat
- Purge Mode
- Ventilation Mode – Energize Fan from "Any" Thermostat
- On-board Capacity Control to Protect Compressor and Heat Exchanger

Cooling Capacity Control – *Not an On/Off Freeze Stat*

Heating Capacity Control – *Not just an On/Off Limit Control*

- Simple Wiring – 24-Volt System
- Operates with SADIGI Thermostats
- 4-Zone system can Control up to 12 Dampers
- Extensive Line of Round and Rectangular Dampers
- Select Round or Rectangular Bypass
- Heat Pump Version also available

For more information call:

800-228-2966

714-898-9963

or visit our website at:

www.

hvaccomfort.com

For Gas Electric application order Part # DTGE4

For Heat Pumps order Part # DTHP4

 **CALIFORNIA
ECONOMIZER**
The Zoning Systems Company

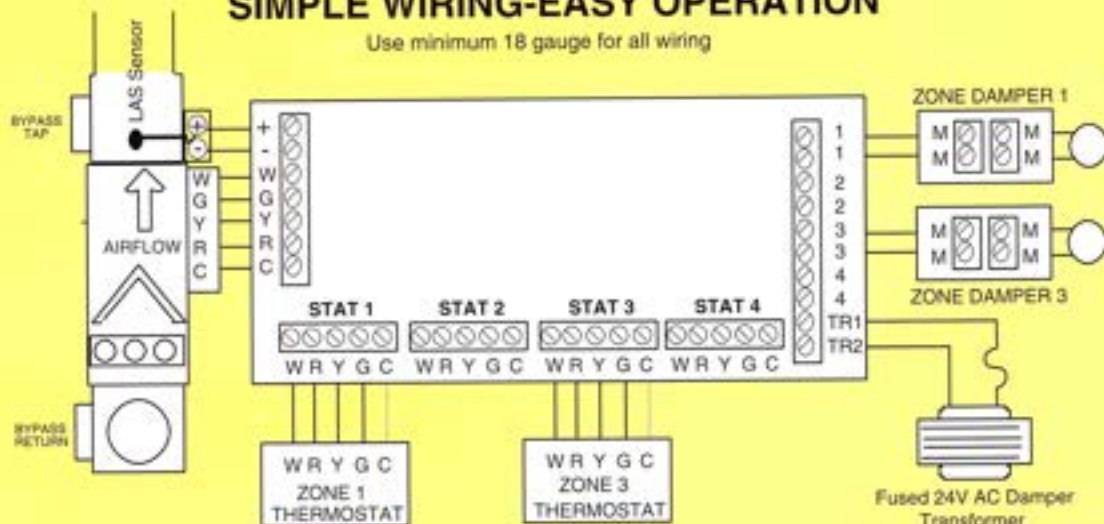
"4"
Perfect
Zone
Control

"4"
Home
or
Business

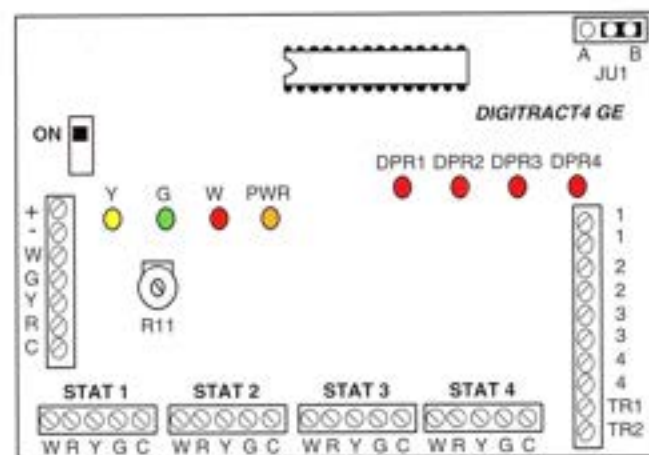
DIGITRACT 4

SIMPLE WIRING-EASY OPERATION

Use minimum 18 gauge for all wiring



The DTGE4 is a 4-zone gas/electric, auto changeover, system controller with a built-in capacity control. The controller does not sense temperature; it simply receives data from the zone thermostats and controls the HVAC system and dampers. The system controller selects the mode of operation based on the first call received. If zones are calling for opposite modes, every 15 minutes it will changeover to the other mode as long as there are opposing calls. The built-in capacity control senses the leaving air temperature and will cycle the HVAC unit to prevent coil freeze-ups and premature heat exchanger failures.



STATUS LIGHTS					MODE	FUNCTION
Y	G	W	PWR	DPR		
X	X	X	OFF	X	Off	Power off.
X	X	X	ON	X	On	Power on.
OFF	ON	OFF	ON	0	Ventilation	Blower fan on, HVAC unit off, all zone dampers open.
OFF	ON	OFF	ON	1	Purge	Blower fan on, HVAC unit off. Damper(s) with DPR light on are closed.
ON	ON	OFF	ON	X	Cool	AC energized. Damper(s) with DPR light on are closed.
OFF	B	ON	ON	X	Heat	Heat energized. Damper(s) with DPR light on are closed.
OFF	ON	OFF	FL	X	Cap. Cutout	Blower fan on, HVAC unit off. Damper(s) with DPR light on are closed.

X = Don't care. FL = Flashing. B = Light on if jumper JU1 in position B.
0 = All DPR lights off.

1 = One or more DPR lights on;

ZONING, THAT'S ALL WE DO

**CALIFORNIA
ECONOMIZER**

The Zoning Systems Company

Toll Free 800-228-2966

5622 Engineer Drive • Huntington Beach, CA 92649, or call: