
TECHNICAL SPECIFICATIONS

P3R(A,C) Series

Single Packaged Air Conditioner, Single Phase

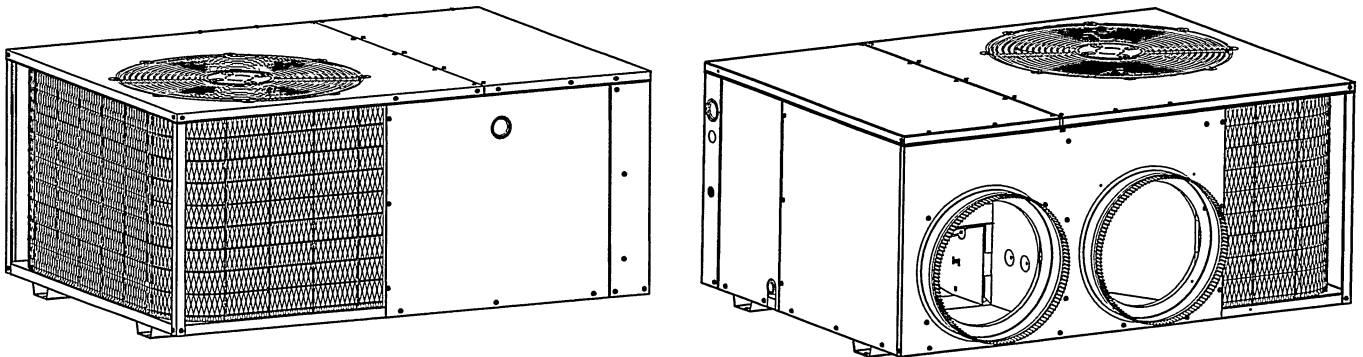
P3RA-10 SEER
2 thru 5 Ton Units

Cooling: 24,000 to 59,000 Btuh

P3RC-12 SEER
2 Ton thru 4 Ton Units

Cooling: 23,800 to 48,000 Btuh

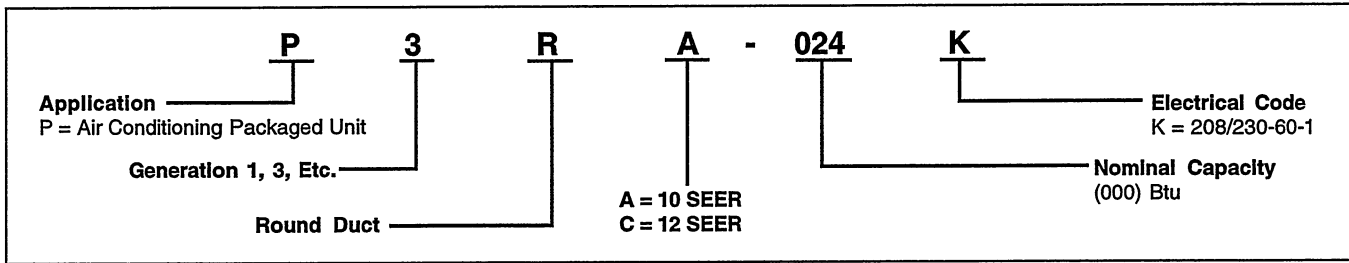
The P3 Series single packaged air conditioners are high efficiency self contained cooling and heating units that can be installed on a slab. Units are ETL and ETLc listed. The unit is truly designed with the contractor and the consumer in mind.



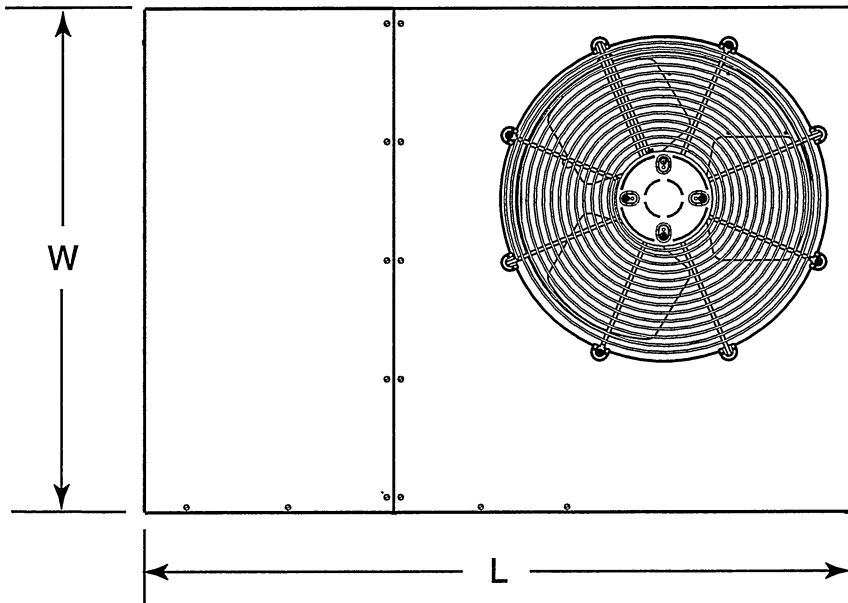
FEATURES AND BENEFITS

- **State-of-the-art compressor** is standard equipment.
- **Designed using galvanized steel** with a polyester urethane coat finish. The 950 hour salt spray finish resists corrosion 50% better than comparable units.
- **Both indoor and outdoor coils** are designed to optimize heat transfer, minimize size and cost, and increase durability and reliability.
- **A heavy duty PSC motor** for long lasting reliability and operation. Requires no maintenance and is completely protected from rain and snow.
- **The service valves are easily accessible** and simplify servicing of the refrigeration system.
- **A wire coil guard and mesh hail guard that will never rust** protects the coil from being damaged by balls, lawnmowers, hail, etc.
- **Designed to make servicing easier** for the contractor, access panels are provided to all major components and the compressor.
- **1" clearance** to combustibles on duct side of the unit allows for installations in tight areas.
- **Easy access** to evaporator for cleaning and general maintenance.
- **Drain trap** design optimizes drainage capabilities.
- **Easy to install** electric heat strip provides up to 20 kw of heat output.
- **Compact footprint and profile** make the P3 Series easy to install and transport.
- **Parts warranty** has proven to be a major benefit to the consumer.

MODEL IDENTIFICATION CODE



DIMENSIONS

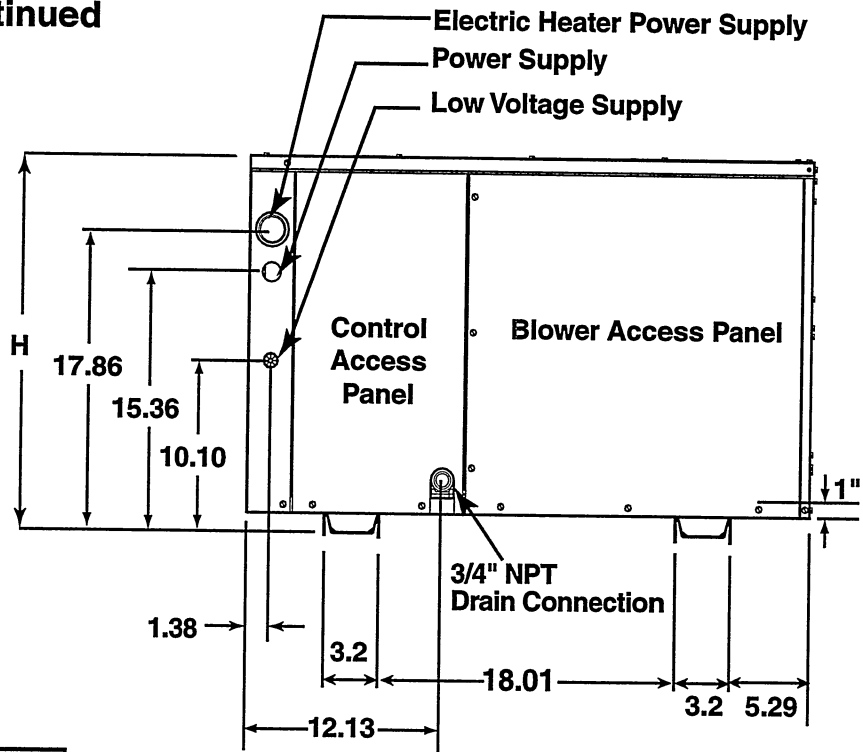


Top View

Model No. P3RA-	(L) Length	(W) Width	(H) Height
024K	49	35	22.2
030K	49	35	22.2
036K	49	35	22.2
042K	49	35	22.2
048K	49	35	30.2
060K	49	35	30.2

Model No. P3RC-	(L) Length	(W) Width	(H) Height
024K	49	35	22.2
030K	49	35	22.2
036K	49	35	22.2
042K	49	35	30.2
048K	49	35	30.2

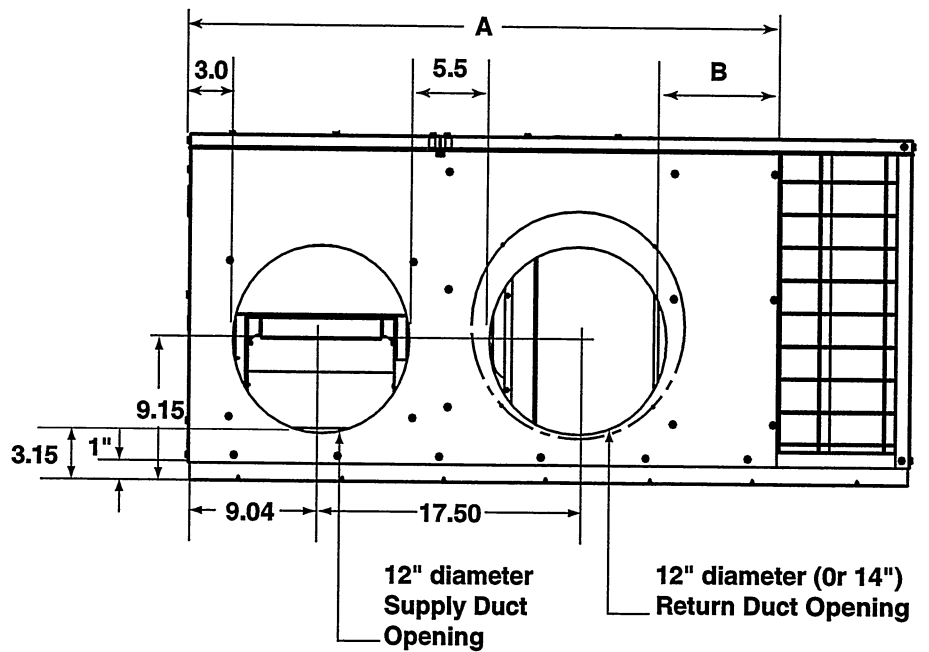
DIMENSIONS Continued



Side View

Model P3RA-	Return Diameter (in)
024K	12
030K	12
036K	12
042K	12
048K	14
060K	14

Model P3RC-	Return Diameter (in)
024K	12
030K	12
036K	12
042K	14
048K	14



Back (Duct) View

PHYSICAL SPECIFICATIONS

P3RA Models

Model No. P3RA-	024K	030K	036K	042K	048K	060K
Electric Rating — 60 Hz (a)						
Operating Voltage Range	187 - 253	187 - 253	187 - 253	187 - 253	187 - 253	187 - 253
Minimum Circuit Ampacity (a)	14.8	20.4	21.9	26	31.5	38.6
Field Wire Size — AWG (a)	12	10	8	8	8	6
Delay Fuse — Maximum (b)	20	30	35	40	50	60
Total Unit — AMPS	12.4	17.0	18.1	21.3	26.1	31.3
Compressor						
Volts	208 - 230	208 - 230	208 - 230	208 - 230	208 - 230	208 - 230
Rated Load Amps	9.8	13.7	14.8	17.9	21.8	27.0
Lock Rotor Amps	56.0	75.0	96.0	103.0	131.0	175.0
Fan Motor and Condenser						
Fan Motor — HP - RPM	1/4 - 1100	1/4 - 1100	1/4 - 1100	1/3 - 1100	1/3 - 1100	1/3 - 1100
Fan Motor — Amps	1.2	1.2	1.2	1.3	1.3	1.3
Fan Dia. — CFM	20" - 2800	20" - 2800	20" - 2800	20" - 3000	20" - 3000	20" - 3000
Motor and Evaporator						
Blower Motor — HP - RPM	1/4 - 980	1/3 - 1080	1/3 - 900	1/3 - 900	1/2 - 1000	1/2 - 1000
Blower Motor — Amps	1.4	2.1	2.1	2.1	3	3
CFM @ E.S.P. — in. W.C.	1100 @ .30	1390 @ .30	1430 @ .30	1500 @ .30	1690 @ .30	1725 @ .30
Refrigerant — Oz.	55	56	63	64	86	128
Shipping Weight -- Lbs.	275	280	280	285	325	375

P3RC Models

Model No. P3RC-	024K	030K	036K	042K	048K
Electric Rating — 60 Hz (a)					
Operating Voltage Range	187 - 253	187 - 253	187 - 253	187 - 253	187 - 253
Minimum Circuit Ampacity (a)	15.4	20.1	21.8	26	33.9
Field Wire Size — AWG (a)	10	10	8	8	8
Delay Fuse — Maximum (b)	25	30	35	40	50
Total Unit — AMPS	12.8	16.7	18.0	21.3	28.0
Compressor					
Volts	208 - 230	208 - 230	208 - 230	208 - 230	208 - 230
Rated Load Amps	10.2	13.4	14.7	17.9	23.7
Lock Rotor Amps	56.0	72.5	83.0	104.0	129.0
Fan Motor and Condenser					
Fan Motor — HP - RPM	1/4 - 1100	1/4 - 1100	1/4 - 1100	1/3 - 1100	1/3 - 1100
Fan Motor — Amps	1.2	1.2	1.2	1.3	1.3
Fan Dia. — CFM	20" - 2800	20" - 2800	20" - 2800	20" - 3000	20" - 3000
Motor and Evaporator					
Blower Motor — HP - RPM	1/4 - 980	1/3 - 1080	1/3 - 900	1/3 - 900	1/2 - 1000
Blower Motor — Amps	1.4	2.1	2.1	2.1	3
CFM @ E.S.P. — in. W.C.	1115 @ .30	1390 @ .30	1430 @ .28	1520 @ .23	1725 @ .23
Refrigerant — Oz.	55	66	96	104	135
Shipping Weight -- Lbs.	275	285	295	340	370

(a) Amperage and wire size based on refrigeration system only. See Electrical Data tables for supplemental electric heaters. Refer to National Electric Code for additional derating factors for field installed conductors.

(b) Use time delay fuse or "HACR" type circuit breaker.

ELECTRICAL DATA

P3RA Models

208/230 Volt Single Phase Models

MODEL NUMBER P3RA-	Heater Installed Nom. KW	Single Supply Circuit Option				2 Supply Circuit Option							
		Min. Circuit Amp.	Rec Wire Gauge (60°C Cu)	Rec Wire Gauge (75°C Cu)	Maximum Over-current Rating*	Circuit A (Comp. & Heater)				Circuit B (Heater & Blower)			
						Min. Circuit Amp.	Rec Wire Gauge (60°C Cu)	Rec Wire Gauge (75°C Cu)	Maximum Over-current Rating	Min. Circuit Amp.	Rec Wire Gauge (60°C Cu)	Rec Wire Gauge (75°C Cu)	Maximum Over-current Rating
024K	0	14.8	12	12	20	-	-	-	-	-	-	-	-
	5	26.8	10	10	30	-	-	-	-	-	-	-	-
	8	39.3	8	8	40	-	-	-	-	-	-	-	-
	10	51.8	4	6	60	-	-	-	-	-	-	-	-
030K	0	20.4	10	10	30	-	-	-	-	-	-	-	-
	5	27.6	10	10	30	-	-	-	-	-	-	-	-
	8	40.1	8	8	40	-	-	-	-	-	-	-	-
	10	52.6	4	6	60	-	-	-	-	-	-	-	-
036K	0	21.9	8	8	35	-	-	-	-	-	-	-	-
	5	27.6	8	8	35	-	-	-	-	-	-	-	-
	8	40.1	8	8	40	-	-	-	-	-	-	-	-
	10	52.6	4	6	60	-	-	-	-	-	-	-	-
042K	0	26.0	8	8	40	-	-	-	-	-	-	-	-
	5	27.9	8	8	40	-	-	-	-	-	-	-	-
	8	40.4	8	8	40	-	-	-	-	-	-	-	-
	10	52.9	4	6	60	-	-	-	-	-	-	-	-
048K	0	31.5	6	8	50	-	-	-	-	-	-	-	-
	5	31.5	6	8	50	-	-	-	-	-	-	-	-
	8	41.3	6	8	50	-	-	-	-	-	-	-	-
	10	53.8	4	6	60	-	-	-	-	-	-	-	-
060K	0	38.6	4	6	60	-	-	-	-	-	-	-	-
	5	38.6	4	6	60	-	-	-	-	-	-	-	-
	8	41.9	4	6	60	-	-	-	-	-	-	-	-
	10	54.4	4	6	60	-	-	-	-	-	-	-	-

P3RC Models

208/230 Volt Single Phase Models

MODEL NUMBER P3RC-	Heater Installed Nom. KW	Single Supply Circuit Option				2 Supply Circuit Option							
		Min. Circuit Amp.	Rec Wire Gauge (60°C Cu)	Rec Wire Gauge (75°C Cu)	Maximum Over-current Rating*	Circuit A (Comp. & Heater)				Circuit B (Heater & Blower)			
						Min. Circuit Amp.	Rec Wire Gauge (60°C Cu)	Rec Wire Gauge (75°C Cu)	Maximum Over-current Rating	Min. Circuit Amp.	Rec Wire Gauge (60°C Cu)	Rec Wire Gauge (75°C Cu)	Maximum Over-current Rating
024K	0	15.4	10	10	25	-	-	-	-	-	-	-	-
	5	26.8	10	10	30	-	-	-	-	-	-	-	-
	8	39.3	8	8	40	-	-	-	-	-	-	-	-
	10	51.8	4	6	60	-	-	-	-	-	-	-	-
030K	0	20.1	10	10	30	-	-	-	-	-	-	-	-
	5	27.6	10	10	30	-	-	-	-	-	-	-	-
	8	40.1	8	8	40	-	-	-	-	-	-	-	-
	10	52.6	4	6	60	-	-	-	-	-	-	-	-
036K	0	21.8	8	8	35	-	-	-	-	-	-	-	-
	5	27.6	8	8	35	-	-	-	-	-	-	-	-
	8	40.1	8	8	40	-	-	-	-	-	-	-	-
	10	52.6	4	6	60	-	-	-	-	-	-	-	-
042K	0	26.0	8	8	40	-	-	-	-	-	-	-	-
	5	27.9	8	8	40	-	-	-	-	-	-	-	-
	8	40.4	8	8	40	-	-	-	-	-	-	-	-
	10	52.9	4	6	60	-	-	-	-	-	-	-	-
048K	0	33.9	6	8	50	-	-	-	-	-	-	-	-
	5	33.9	6	8	50	-	-	-	-	-	-	-	-
	8	41.3	6	8	50	-	-	-	-	-	-	-	-
	10	53.8	4	6	60	-	-	-	-	-	-	-	-

*When overcurrent rating exceeds 60, internal circuit breakers must be installed in addition to branch circuit protection at distribution panel.

SYSTEM HEATING AND COOLING CAPACITIES

Model Number P3RA-	Cooling Btuh	SEER
024K	24,000	10
030K	30,000	10
036K	35,400	10
042K	40,500	10
048K	47,500	10
060K	59,000	10

Model Number P3RC-	Cooling Btuh	SEER
024K	23,800	12
030K	30,000	12
036K	35,000	12
042K	42,000	12
048K	48,000	12

BLOWER PERFORMANCE

Model Number P3RA-	External Static Pressure (in.w.c.)					
	0.1	0.2	0.3	0.4	0.5	0.6
024K	1163	1150	1115	1060	982	884
030K	1498	1455	1390	1303	1195	1064
036K	1550	1506	1439	1349	1237	1101
042K	1591	1561	1522	1474	1417	1352
048K	1766	1734	1690	1635	1569	1491
060K	1846	1786	1720	1651	1576	1497

Model Number P3RC-	External Static Pressure (in.w.c.)					
	0.1	0.2	0.3	0.4	0.5	0.6
024K	1163	1150	1115	1060	982	884
030K	1498	1455	1390	1303	1195	1064
036K	1550	1506	1439	1349	1237	1101
042K	1591	1561	1522	1474	1417	1352
048K	1766	1734	1690	1635	1569	1491

ACCESSORIES

Heater Application Matrix

Model Number P3RA-	H3HK-005H-01	H3HK-008H-01	H3HK-010H-01	H3HK-015H-01	H3HK-020H-01	H3HK-015H-21	H3HK-020H-21
	917166	917167	917168	917169	917170	917172	917173
024K	X	X	X	NA	NA	NA	NA
030K	X	X	X	X(2)	NA	X	NA
036K	X	X	X	X(2)	NA	X	NA
042K	X	X	X	X(2)	X(2)	X	X
048K	X	X	X	X(2)	X(2)	X	X
060K	X	X	X	X(2)	X(2)	X	X

Model Number P3RC-	H3HK-005H-01	H3HK-008H-01	H3HK-010H-01	H3HK-015H-01	H3HK-020H-01	H3HK-015H-21	H3HK-020H-21
	917166	917167	917168	917169	917170	917172	917173
024K	X	X	X	NA	NA	NA	NA
030K	X	X	X	X(2)	NA	X	NA
036K	X	X	X	X(2)	NA	X	NA
042K	X	X	X	X(2)	X(2)	X	X
048K	X	X	X	X(2)	X(2)	X	X

NA = Not Approved

() = Number of internal circuit breaker kits required.

Duct Kits

Description	Part Number
MHFK-12-SW (Single Wide Fitting Kit - 12")	911468A
MHFK-12-DW (Double Wide Fitting Kit - 12")	911469A
MHFK-14-SW (Single Wide Fitting Kit - 14")	914957
MHFK-14-DW (Double Wide Fitting Kit - 14")	914956
UFK-2RMI, 12"x12"x12" "Y" fitting with 2 clamps	911470
Clamps, 10-14" diameter	668659

Heater Kit Accessories

Description	Part Number
4-Pole single circuit adaptor	913350
6-Pole single circuit adaptor	913556
Circuit Breaker Single Phase (2-pole)	913554



CERTIFICATION APPLIES
 ONLY WHEN THE
 COMPLETE
 SYSTEM IS LISTED
 WITH ARI

St. Louis, MO

NORDYNE

455A-1200 (Replaces 455A-0600)

Before purchasing this appliance, read important energy cost and efficiency information available from your retailer. Specifications and illustrations subject to change without notice and without incurring obligations. Printed in U.S.A. (12/00)