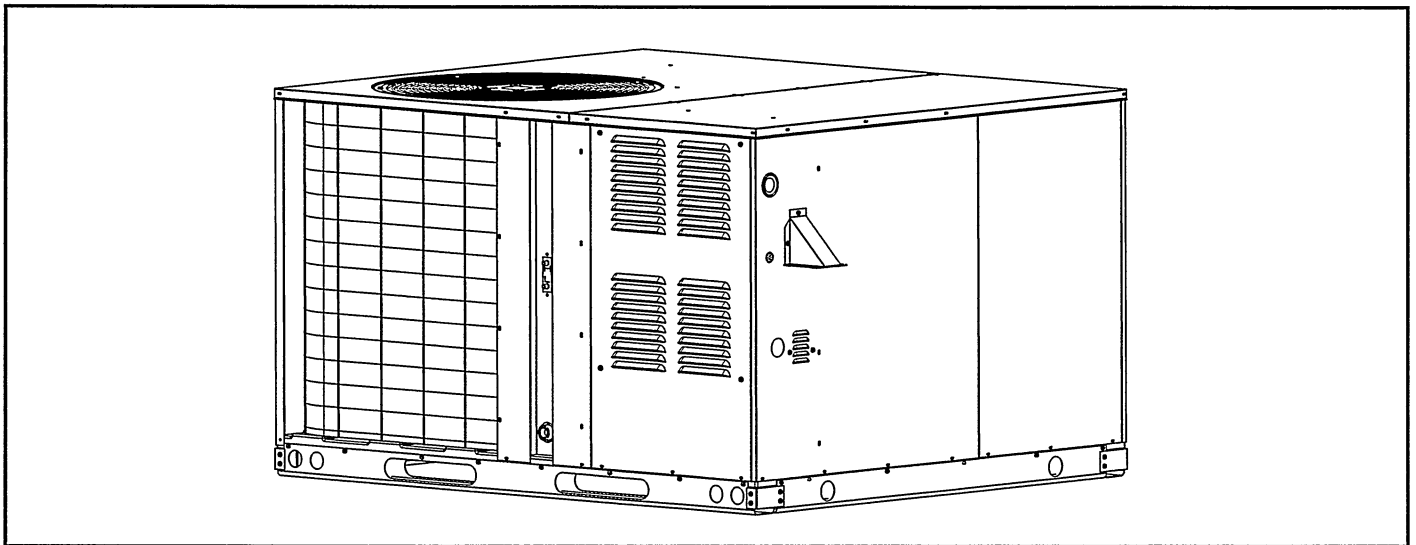

TECHNICAL SPECIFICATIONS

R4GA Series

Single Packaged Gas/Electric Units

R4GA 10 SEER 2 Ton thru 5 Ton Units

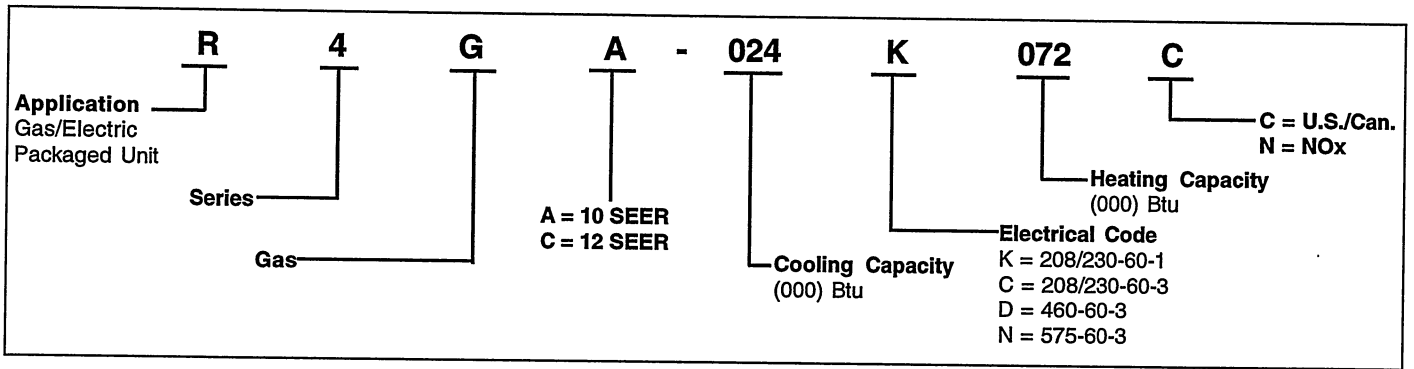
The R4G Series single packaged gas/electrics are high efficiency self contained cooling units that can be installed on a slab. The unit design makes installation simple for all sizes of manufactured and modular homes. Units are ETL and ETLc listed. The unit is truly designed with the consumer in mind.



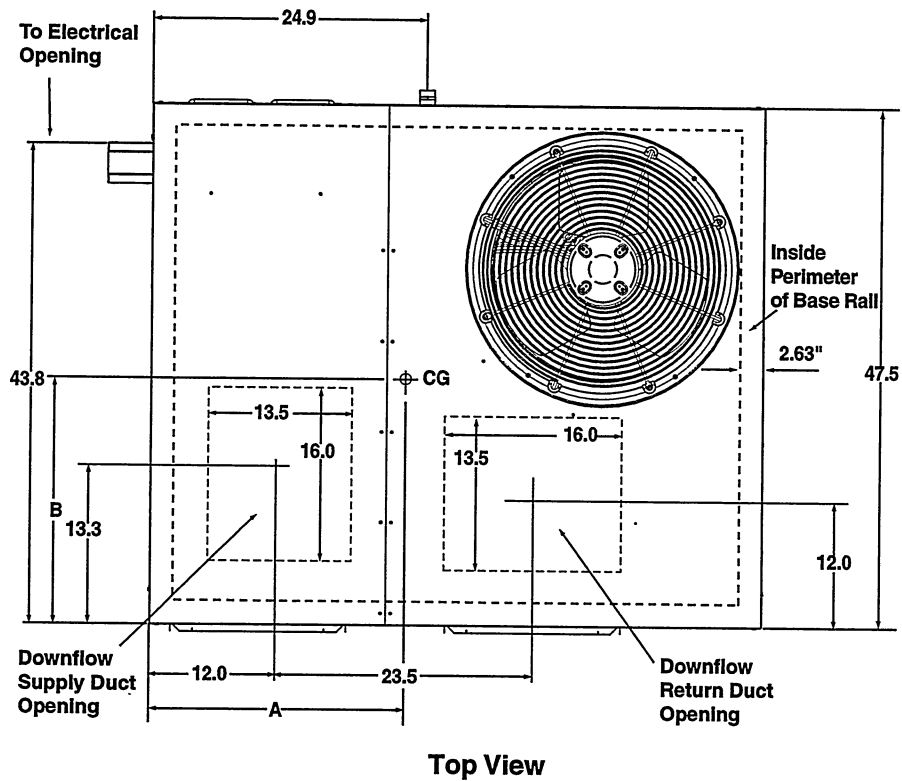
FEATURES AND BENEFITS

- **Compact Footprint/Low Profile**
Easy to handle and transport.
- **Heavy-Gauge, Full Perimeter Base Rails**
Facilitates forklift handling and curb mounting.
- **Convertible Air Delivery**
Horizontal or downflow to accommodate rooftop or horizontal application.
- **Galvanized Steel Cabinet**
with polyurethane finish provides 950 hour salt spray protection to resist corrosion.
- **Plastic Coated Coil Guard and Mesh Hail Guard**
Will never rust and protect the coil from being damaged by balls, lawnmowers, hail etc.
- **Externally Accessible Service Ports**
Quick access to refrigerant system without disrupting operation.
- **Access to Controls and Major Components**
Easy in and out service.
- **Corrosion-Resistant Drain Pan**
Quickly drains away evaporator condensate.
- **Smaller Panels, Great Fit and Finish, Total Seal**
Well-designed, quality construction. Drip edge on top panels whisks away rainwater. Embossed bottom pan keeps blower component compartment dry.
- **Proven, Industry Standard Components**
Easier service and availability.
- **Quiet Operation**
Low vibration.
20" fan blade combined with custom venturi condenser fan.
- **Limited Parts Warranty**
One year limited parts warranty.
10 year limited heat exchanger warranty.

MODEL IDENTIFICATION CODE

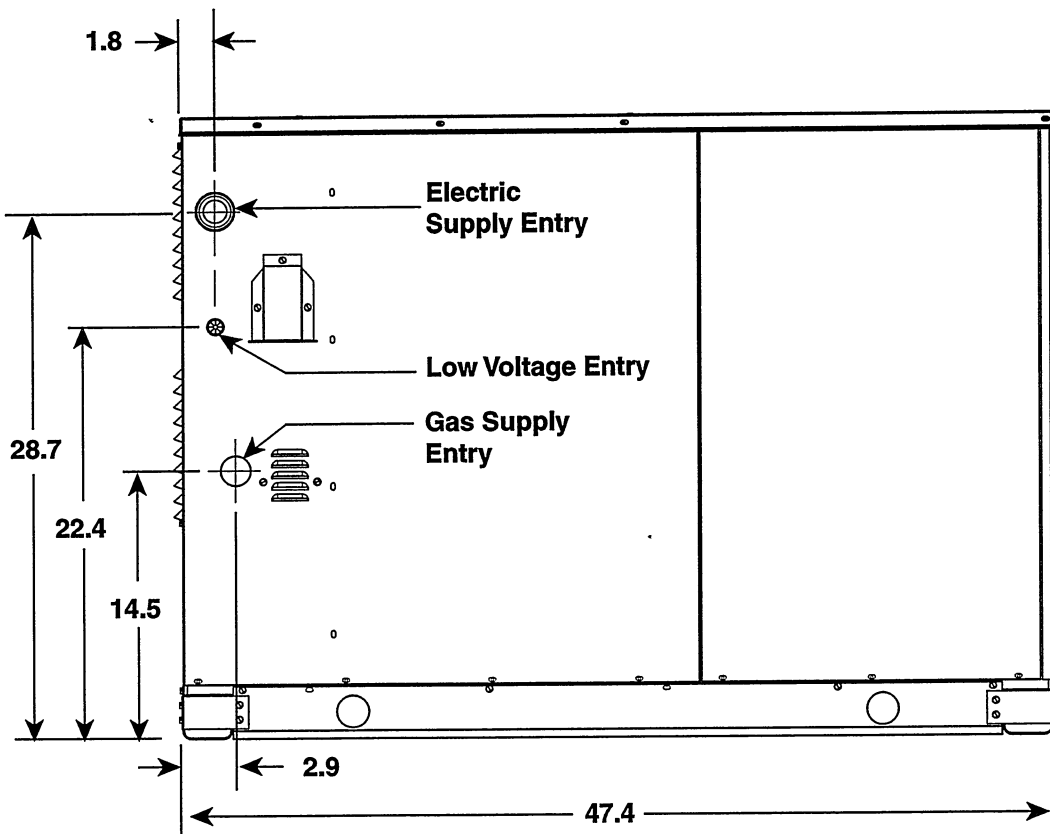


DIMENSIONS

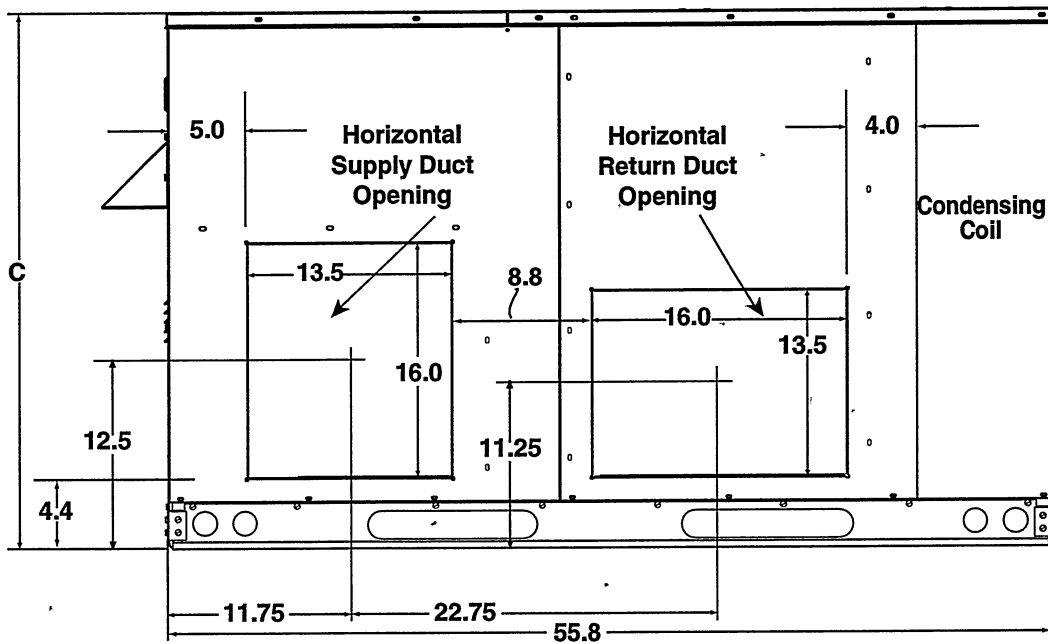


Model Number R4GA-	Unit Weight	Center of Gravity		Height (in inches)	
		A	B	C	
				with base rails	without base rails
024K045C	387	25.5	26.5	33.8	31.3
024K072C	395	25.0	26.5	33.8	31.3
030K045C	391	25.5	27.0	33.8	31.3
030K072C	399	25.0	27.0	33.8	31.3
036K096C	428	25.0	27.0	33.8	31.3
042K072C	430	25.5	27.0	33.8	31.3
042K096C	440	25.5	27.0	33.8	31.3
048K096C	463	26.0	27.0	37.8	35.3
048K120C	465	25.5	27.0	37.8	35.3
060K096C	490	26.0	27.0	37.8	35.3
060K120C	495	25.5	27.0	37.8	35.3

DIMENSIONS (Continued)



Side View



Back View

SPECIFICATIONS AND ELECTRICAL DATA

SINGLE PHASE

Model R4GA	024K045C	024K072C	030K045C	030K072C	036K072C	036K096C	042K072	042K096	048K096C	048K120C	060K096C	060K120C	
Performance													
Heating Input BTUH	45,000	72,000	45,000	72,000	72,000	96,000	72,000	96,000	96,000	120,000	96,000	120,000	
Heating Output BTUH	35,000	56,000	35,000	56,000	56,000	75,000	56,000	75,000	75,000	94,000	75,000	94,000	
Capacity -Cooling BTUH	24,000	24,000	28,500	28,500	35,500	35,500	40,000	40,000	46,000	46,000	58,000	58,000	
AFUE	78	78	78	78	78	78	78	78	78	78	78	78	
Efficiency - SEER	10.00	10.00	10.00	10.00	10.00	10.00	10.00	10.00	10.00	10.00	10.00	10.00	
Efficiency - EER	10.3	10.3	9.3	9.3	9.3	9.3	9.7	9.7	9.6	9.6	8.9	8.9	
Electrical Rating - 60 Hz													
Phase	1	1	1	1	1	1	1	1	1	1	1	1	
Operating Voltage Range	187 - 253	187 - 253	187 - 253	187 - 253	187 - 253	187 - 253	187 - 253	187 - 253	187 - 253	187 - 253	187 - 253	187 - 253	
Minimum Circuit Ampacity	16.1	16.1	21.6	21.6	25.1	25.1	28.1	28.1	30.7	30.7	42.8	42.8	
Max. Over-current Protection	25	25	35	35	40	40	45	45	50	50	60	60	
Compressor Data													
Volts	208 / 230	208 / 230	208 / 230	208 / 230	208 / 230	208 / 230	208 / 230	208 / 230	208 / 230	208 / 230	208 / 230	208 / 230	
Flated Load Amps	10.9	10.9	15.3	15.3	16.6	16.6	19	19	20.4	20.4	30.1	30.1	
Lock Rotor Amps	56	56	75	75	96	96	105	105	102	102	175	175	
Indoor Blower													
Wheel Diameter	10x6						10x10						11x10
Type / No. of Speeds	DD / 3	DD / 3	DD / 3	DD / 3	DD / 3	DD / 3	DD / 3	DD / 3	DD / 4	DD / 4	DD / 4	DD / 4	
Motor - HP / RPM	1/4 - 1100	1/4 - 1100	1/4 - 1100	1/4 - 1100	1/2 - 1100	1/2 - 1100	1/2 - 1100	1/2 - 1100	3/4 - 1100	3/4 - 1100	3/4 - 1100	3/4 - 1100	
Motor - Amps	1.3	1.3	1.3	1.3	3.1	3.1	3.1	3.1	4.0	4.0	4.0	4.0	
Outdoor Fan													
Motor - HP / RPM	1/4 - 825	1/4 - 825	1/4 - 825	1/4 - 825	1/4 - 825	1/4 - 825	1/4 - 825	1/4 - 825	1/4 - 825	1/4 - 825	1/4 - 825	1/4 - 825	
Motor - Amps	1.2	1.2	1.2	1.2	1.2	1.2	1.2	1.2	1.2	1.2	1.2	1.2	
Fan Diameter / CFM	20 / 3500	20 / 3500	20 / 3500	20 / 3500	20 / 3500	20 / 3500	20 / 3500	20 / 3500	20 / 3500	20 / 3500	20 / 3500	20 / 3500	
Refrigerant Charge - oz.	70	70	65	65	60	60	73	73	93	93	88	88	

AIRFLOW DATA

Model Number R4GA-	External Static Pressure (Inches Water Column)																							
	0.1		0.2		0.3		0.4		0.5		0.6		0.7		0.8									
	CFM	Rise	CFM	Rise	CFM	Rise	CFM	Rise	CFM	Rise	CFM	Rise	CFM	Rise	CFM	Rise	CFM	Rise						
024K045C	1172	-	1109	-	1043	31	975	33	903	36	829	39	752	43	672	48	596	54	513	60	442	66	372	72
	1075	30	1018	32	957	34	892	36	824	39	752	43	676	48	596	54	513	60	442	66	372	72	302	78
	845	38	795	41	741	44	683	48	620	52	552	59	480	66	403	72	328	78	254	84	180	90	106	96
024K072C	1160	45	1102	47	1041	50	976	53	908	57	837	62	762	68	684	74	604	80	524	86	444	92	364	98
	1064	49	1012	51	955	54	895	58	831	63	762	68	690	74	613	80	533	86	453	92	373	98	293	104
	841	62	797	65	749	69	695	74	636	80	571	87	502	94	427	101	347	107	267	113	187	119	107	125
030K045C	1172	-	1109	-	1043	31	975	33	903	36	829	39	752	43	672	48	596	54	513	60	442	66	372	72
	1075	30	1018	32	957	34	892	36	824	39	752	43	676	48	596	54	513	60	442	66	372	72	302	78
	845	38	795	41	741	44	683	48	620	52	552	59	480	66	403	72	328	78	254	84	180	90	106	96
030K072C	1160	45	1102	47	1041	50	976	53	908	57	837	62	762	68	684	74	604	80	524	86	444	92	364	98
	1064	49	1012	51	955	54	895	58	831	63	762	68	690	74	613	80	533	86	453	92	373	98	293	104
	841	62	797	65	749	69	695	74	636	80	571	87	502	94	427	101	347	107	267	113	187	119	107	125
036K096C	1697	-	1600	-	1503	46	1406	49	1309	53	1212	57	1115	62	1018	68	921	74	824	80	727	86	630	92
	1574	-	1485	47	1396	50	1308	53	1219	57	1130	61	1041	67	952	73	855	79	758	85	661	91	564	97
	1297	53	1225	57	1152	60	1079	64	1006	69	933	74	860	80	788	86	715	92	642	98	569	104	496	110
042K072C	1852	-	1775	-	1687	-	1590	-	1482	-	1365	40	1237	44	1100	49	983	55	866	61	749	67	632	73
	1736	-	1650	-	1558	-	1460	-	1357	-	1247	44	1131	48	1010	52	893	58	776	64	659	70	542	76
	1427	-	1361	40	1290	42	1214	45	1134	48	1049	52	959	56	865	62	780	68	695	74	610	80	525	86
042K096C	1697	-	1600	-	1503	46	1406	49	1309	53	1212	57	1115	62	1018	68	921	74	824	80	727	86	630	92
	1574	-	1485	47	1396	50	1308	53	1219	57	1130	61	1041	67	952	73	855	79	758	85	661	91	564	97
	1297	53	1225	57	1152	60	1079	64	1006	69	933	74	860	80	788	86	715	92	642	98	569	104	496	110
048K096C	2393	-	2307	-	2220	-	2134	-	2047	-	1961	-	1874	-	1787	-	1700	-	1613	-	1526	-	1439	-
	2171	-	2093	-	2016	-	1938	-	1860	-	1782	-	1704	45	1625	47	1540	51	1454	57	1368	63	1282	69
	1811	-	1751	-	1690	45	1626	47	1561	48	1493	50	1423	53	1351	55	1282	61	1213	67	1144	73	1074	79
048K120C	1485	51	1439	52	1387	54	1328	56	1262	59	1190	62	1111	66	1025	72	940	78	855	84	770	90	685	96
	2061	-	1989	-	1917	45	1845	47	1773	49	1701	51	1628	53	1556	56	1484	62	1412	68	1340	74	1268	80
	1865	46	1813	48	1752	49	1680	52	1599	54	1507	58	1406	62	1295	67	1194	73	1093	79	992	85	891	91
	1635	53	1578	55	1522	57	1465	59	1409	62	1352	64	1296	67	1240	70	1184	76	1127	82	1070	88	1013	94
	1357	64	1308	66	1258	69	1209	72	1159	75	1110	79	1060	84	1011	90	962	96	913	102	864	108	815	114
060K096C	2393	-	2307	-	2220	-	2134	-	2047	-	1961	-	1874	-	1787	-	1700	-	1613	-	1526	-	1439	-
	2171	-	2093	-	2016	-	1938	-	1860	-	1782	-	1704	45	1625	47	1540	51	1454	57	1368	63	1282	69
	1811	-	1751	-	1690	45	1626	47	1561	48	1493	50	1423	53	1351	55	1282	61	1213	67	1144	73	1074	79
060K120C	1485	51	1439	52	1387	54	1328	56	1262	59	1190	62	1111	66	1025	72	940	78	855	84	770	90	685	96
	2061	-	1989	-	1917	45	1845	47	1773	49	1701	51	1628	53	1556	56	1484	62	1412	68	1340	74	1268	80
	1865	46	1813	48	1752	49	1680	52	1599	54	1507	58	1406	62	1295	67	1194	73	1093	79	992	85	891	91
	1635	53	1578	55	1522	57	1465	59	1409	62	1352	64	1296	67	1240	70	1184	76	1127	82	1070	88	1013	94
	1357	64	1308	66	1258	69	1209	72	1159	75	1110	79	1060	84	1011	90	962	96	913	102	864	108	815	114

* - Factory Set Heating Speed
 ** - Factory Set Cooling Speed

R4GA ACCESSORIES

Description	Part Number
Thermostat, 1-stage heat, 1-stage cool	914153
Thermostat, 1-stage heat, 1-stage cool	914154
Sub-base, 1-stage heat, 1-stage cool	914146
Thermostat, 1-stage heat, 2-stage cool	912629
Sub-base, 1-stage heat, 2-stage cool	912631
Thermostat, 1-stage heat, 2-stage cool, programmable	912618
Sub-base, 1-stage heat, 2-stage cool, programmable	912623
12" Flex duct adapter kit	913811
14" Flex duct adapter kit	913812
12" Flex duct adapter kit & P-Trap	913813
14" Flex duct adapter kit & P-Trap	913814
Universal Hard Start Kit	912933
Low Pressure Switch Kit	913551
High Pressure Switch Kit	913550
Low Ambient Kit	913549A
P-Trap Kit	913810
U.S. LP Gas Conversion Kit (0 ft to 10,000 ft above sea level)	903616
Canadian LP Gas Conversion Kit (0 to 4,500 ft above sea level)	903617

St. Louis, MO **NORDYNE**



043B-0600

Before purchasing this appliance, read important energy cost and efficiency information available from your retailer. Specifications and illustrations subject to change without notice and without incurring obligations. Printed in U.S.A.