

---

## TECHNICAL SPECIFICATIONS

---

# Q4S(A,C) Series

## Single Packaged Heat Pump, Single Phase and Three Phase

### Q4SA-10 SEER

3, 4 and 5 Ton Units

Cooling: 36,000 to 58,000 Btuh

Heating: 33,000 to 59,000 Btuh

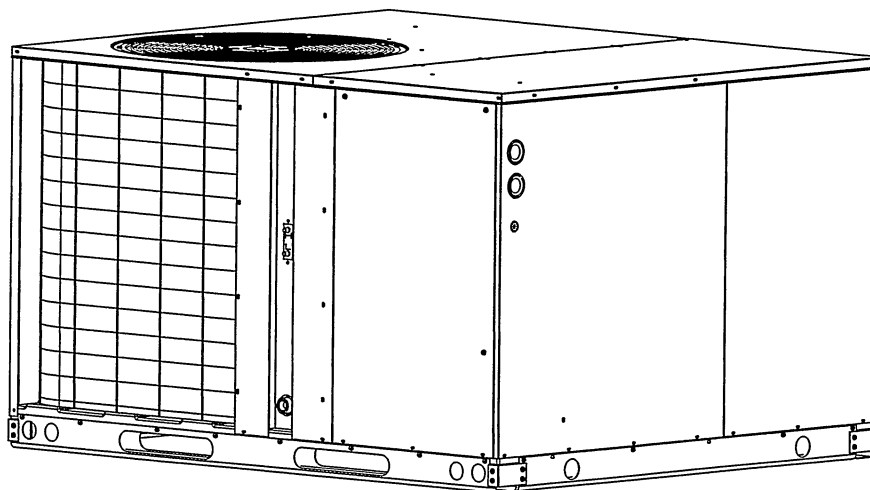
### Q4SC-12 SEER

3, 4 and 5 Ton Units

Cooling: 36,000 to 59,000 Btuh

Heating: 34,000 to 56,000 Btuh

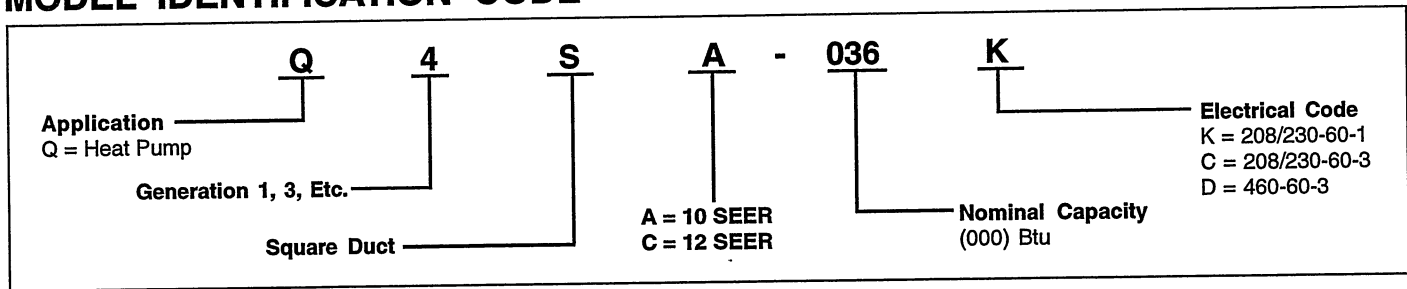
The Q4 Series single packaged heat pumps are high efficiency self contained cooling and heating units that can be installed on a roof or on a slab. The convertible unit design makes installations simple in all applications. Units are ETL and ETLc listed. The unit is truly designed with the contractor and the consumer in mind.



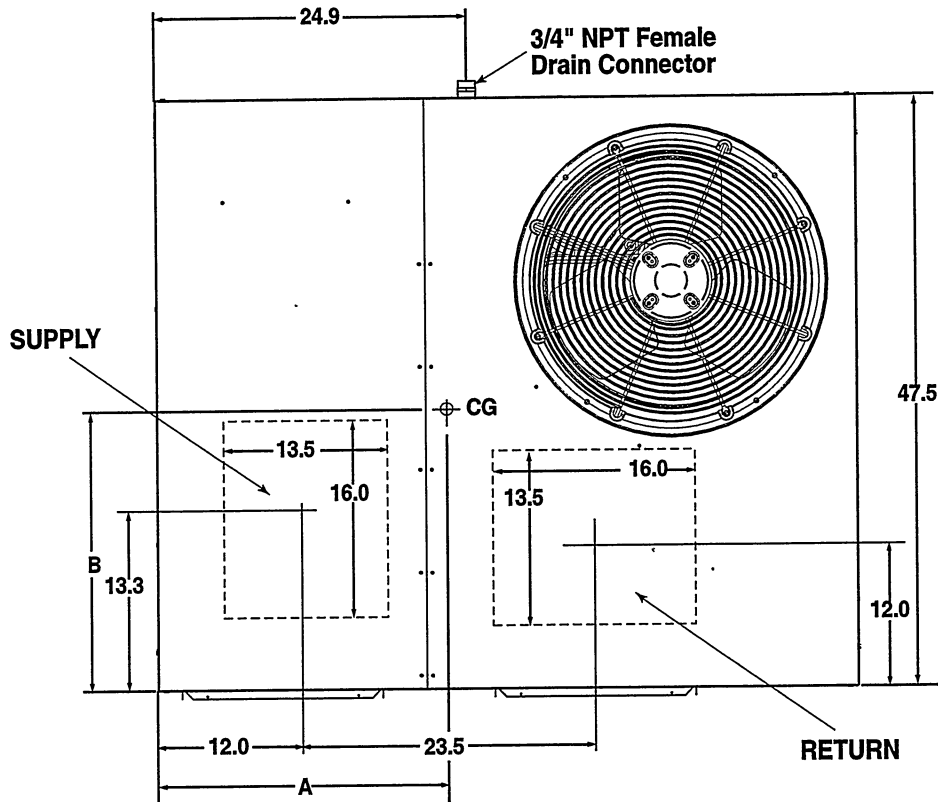
## FEATURES AND BENEFITS

- **Compact Footprint/Low Profile**  
Easy to handle and transport.
- **Heavy-Gauge, Full Perimeter Base Rails**  
Facilitates forklift handling and curb mounting.
- **Convertible Air Delivery**  
Horizontal or downflow to accommodate rooftop or horizontal application.
- **Galvanized Steel Cabinet**  
with polyurethane finish provides 950 hour salt spray protection.
- **Plastic Coated Coil Guard and Mesh Hail Guard**  
Will never rust and protect the coil from being damaged by balls, lawnmowers, hail etc.
- **Externally Accessible Service Ports**  
Quick access to refrigerant system without disrupting operation.
- **Access to Controls and Major Components**  
Easy in and out service.
- **Corrosion-Resistant Drain Pan**  
Quickly drains away evaporator condensate.
- **Service Access Panels**  
To all major components and the compressor. Designed to make servicing easier for the Contractor.
- **Easy to Install**  
Electric heat strip provides up to 20 KW of heat output.
- **Proven, Industry Standard Components**  
Easier service and availability.
- **Quiet Operation**  
Low vibration.  
20" fan blade combined with custom venturi condenser fan.
- **Accessories**  
Roof curbs, economizers, fresh air dampers and more.
- **Six-Year Residential Parts Warranty**  
The best warranty in the business. Extended labor protection plans are available.
- **One Year Commercial Parts Warranty**

# MODEL IDENTIFICATION CODE



# DIMENSIONS

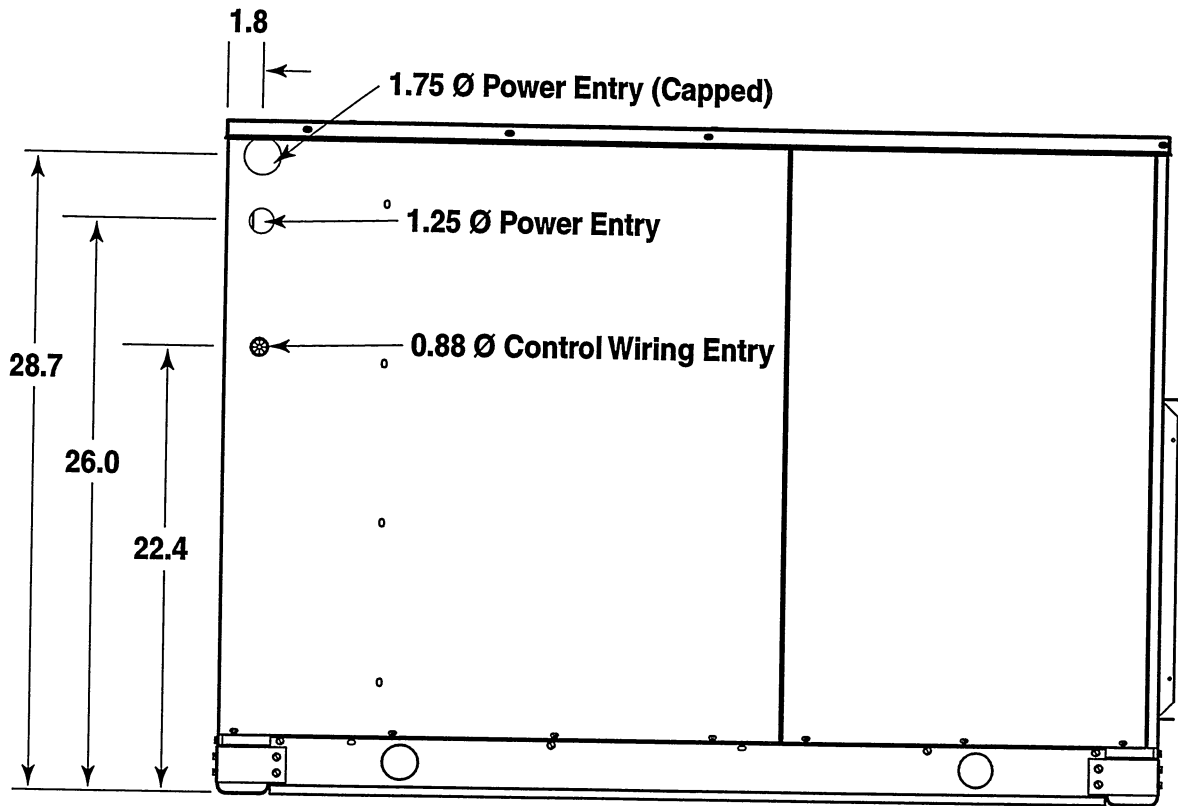


**Top View**

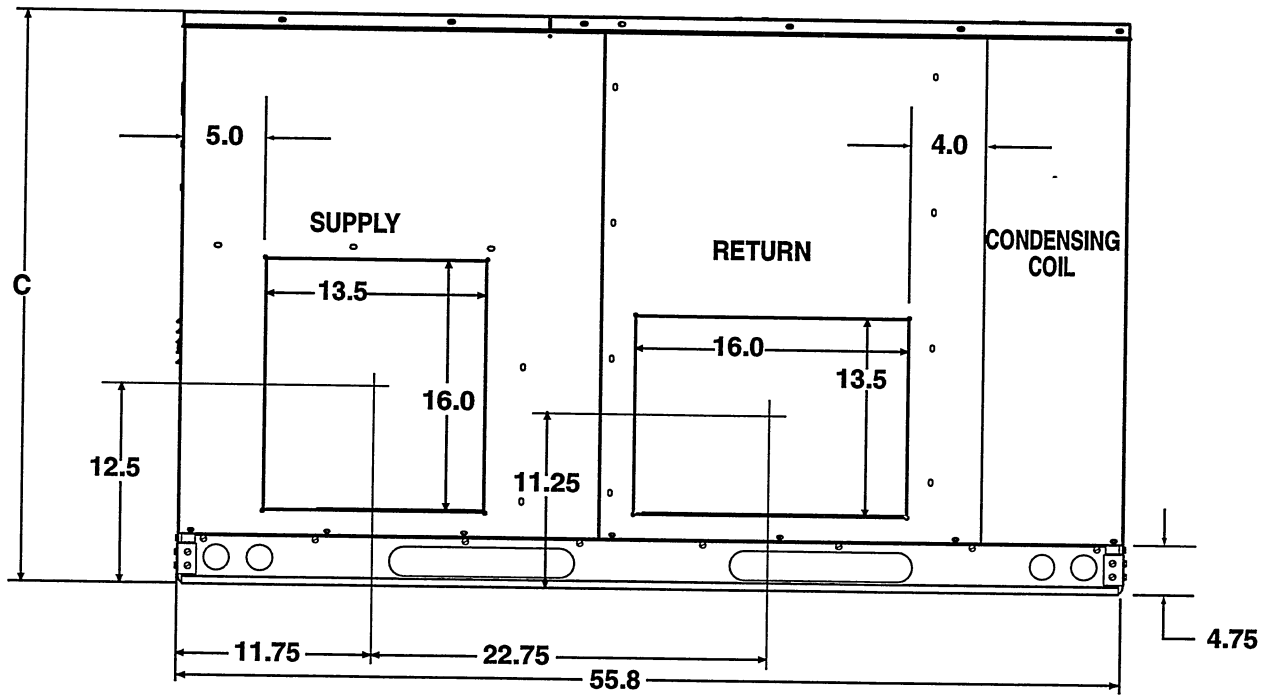
Model Number Q4SA-	Unit Weight	Center of Gravity		Height (in inches)	
		A	B	C	
				w/ base rails	w/out base rails
036	420	28.0	26.0	33.7	31.3
048	510	28.0	26.0	33.7	31.3
060	540	29.5	26.5	37.7	35.3

Model Number Q4SC-	Unit Weight	Center of Gravity		Height (in inches)	
		A	B	C	
				w/ base rails	w/out base rails
036	455	28.0	25.5	33.7	31.3
048	565	29.5	26.0	37.7	35.3
060	575	29.5	26.0	37.7	35.3

# DIMENSIONS Continued



Side View



Back (Duct) View

# SPECIFICATIONS

Model Number	Q4SA-										Q4SC-		
	036K	048K	060K	036C	048C	060C	036D	048D	060D	036K	048K	060K	
<b>Performance</b>													
Capacity - Heating BTUH	33,000	45,000	59,000	33,000	45,000	59,000	33,000	45,000	59,000	34,000	46,000	56,000	
Efficiency - HSPF	6.80	6.80	6.80	6.80	6.80	6.80	6.80	6.80	6.80	7.20	6.80	7.20	
Capacity - Cooling BTUH	36,000	48,000	58,000	36,000	48,000	58,000	36,000	48,000	58,000	36,000	46,000	59,000	
Efficiency - SEER	10.00	10.00	10.00	10.00	10.00	10.00	10.00	10.00	10.00	12.00	12.00	12.00	
EER (Btuh/watt)	10.00	10.00	9.30	10.00	10.00	9.30	10.00	10.00	9.30	10.70	10.20	10.30	
<b>Electrical Rating - 60 Hz</b>													
Phase	1	1	1	3	3	3	3	3	3	1	1	1	
Operating Voltage Range	187 - 253	187 - 253	187 - 253	187 - 253	187 - 253	187 - 253	187 - 253	414 - 506	414 - 506	187 - 253	187 - 253	187 - 253	
<b>Compressor Data</b>													
Volts	208 / 230	208 / 230	208 / 230	208 / 230	208 / 230	208 / 230	208 / 230	460	460	208 / 230	208 / 230	208 / 230	
Rated Load Amps	14.8	21.8	27	10.2	12.8	18.6	4.3	6.4	8.8	17.9	21.4	32.1	
Lock Rotor Amps	96	131	175	75	91	128	40	46	63	88	137	169	
<b>Indoor Blower</b>													
Type / No. of Speeds	DD / 3	DD / 3	DD / 3	DD / 3	DD / 3	DD / 3	DD / 3	DD / 3	DD / 3	DD / 3	DD / 3	DD / 3	
Motor - HP / RPM	1/4-1100	1/2 - 1100	1/2 - 1100	1/4-1100	1/2 - 1100	1/2 - 1100	1/4-1100	1/2 - 1100	1/2 - 1100	1/4-1100	1/2 - 1100	1/2 - 1100	
Motor - Amps	1.3	3.1	3.1	1.3	3.1	3.1	0.7	1.7	1.7	1.3	3.1	3.1	
<b>Outdoor Fan</b>													
Motor - HP / RPM	1/4 - 1100	1/4 - 1100	1/3 - 1100	1/4 - 1100	1/4 - 1100	1/3 - 1100	1/4 - 1100	1/4 - 1100	1/4 - 1100	1/4 - 1100	1/4 - 1100	1/3 - 1100	
Motor - Amps	1.2	1.2	1.5	1.2	1.2	1.5	0.6	0.6	0.6	1.2	1.2	1.5	
Fan Diameter / CFM	20 / 3800	20 / 3800	20 / 4000	20 / 3800	20 / 3800	20 / 4000	20 / 3800	20 / 3800	20 / 4000	20 / 3800	20 / 3800	20 / 4000	
Refrigerant Charge - Oz.	61	142	176	61	142	176	61	142	176	102	221	260	
Net Weight lbs.	420	510	540	420	510	540	420	510	540	455	565	575	
Shipping Weight lbs.	430	520	550	430	520	550	430	520	550	465	575	585	

# ELECTRICAL DATA

Model Number Q45A-	Heater KW	Single Circuit						Multiple Circuit											
		A (Compressor & Fan)			B (Blower & Heater)			C (Heater)				D (Blower & Heater)				E (Heater)			
		Min. Circuit Amp.	Rec Wire Gauge (60°C Cu)	Rec Wire Gauge (75°C Cu)	Min. Circuit Amp.	Rec Wire Gauge (60°C Cu)	Rec Wire Gauge (75°C Cu)	Min. Circuit Amp.	Rec Wire Gauge (60°C Cu)	Rec Wire Gauge (75°C Cu)	Min. Circuit Amp.	Rec Wire Gauge (60°C Cu)	Rec Wire Gauge (75°C Cu)	Min. Circuit Amp.	Rec Wire Gauge (60°C Cu)	Rec Wire Gauge (75°C Cu)	Min. Circuit Amp.	Rec Wire Gauge (60°C Cu)	Rec Wire Gauge (75°C Cu)
	0	23.3	8	8	35														
	5	48.3	4	6	60														
	8	60.8	4	4	70														
	10	73.3	3	4	80														
	15	98.3	1	2	110														
	0	34.7	6	8	50														
	5	59.7	3	4	80														
	8	72.2	2	3	90														
	10	84.7	1	3	100														
	15	109.7	0	1	130														
	20	134.7	0	0	150														
	0	42.2	4	6	60														
	5	67.2	2	3	90														
	8	79.7	1	3	100														
	10	92.2	0	1	120														
	15	117.2	0	0	140														
	20	142.2	0	0	170														
	0	15.3	10	10	25														
	9	42.3	6	8	45														
	15	58.6	4	6	60														
	0	20.3	10	10	30														
	9	47.4	6	8	50														
	15	63.6	4	6	60														
	0	27.9	6	8	45														
	9	54.9	4	6	60														
	15	71.2	3	4	80														
	0	6.7	12	12	15														
	9	21.7	10	10	25														
	15	29.2	10	10	30														
	0	10.3	12	12	15														
	9	25.3	10	10	25														
	15	32.9	10	10	30														
	0	13.3	10	10	20														
	9	28.3	10	10	30														
	15	35.9	6	8	40														

# ELECTRICAL DATA

Model Number Q4SC-	Heater KW	Single Circuit						Multiple Circuit									
		A (Compressor & Fan)			B (Blower & Heater)			C (Heater)			C (Heater)						
		Min. Circuit Amp.	Rec Wire Gauge (60°C Cu)	Rec Wire Gauge (75°C Cu)	Maximum Over-current Rating	Min. Circuit Amp.	Rec Wire Gauge (60°C Cu)	Rec Wire Gauge (75°C Cu)	Maximum Over-current Rating	Min. Circuit Amp.	Rec Wire Gauge (60°C Cu)	Rec Wire Gauge (75°C Cu)	Maximum Over-current Rating	Min. Circuit Amp.	Rec Wire Gauge (60°C Cu)	Rec Wire Gauge (75°C Cu)	Maximum Over-current Rating
036K	0	24.9	8	8	40	-	-	-	-	-	-	-	-	-	-	-	-
	5	49.9	4	6	60	-	-	-	-	-	-	-	-	-	-	-	-
	8	62.4	3	4	80	49.9	4	6	60	14.1	14	14	15	-	-	-	-
	10	74.9	2	3	90	49.9	4	6	60	26.6	10	10	30	-	-	-	-
	15	99.9	1	2	110	49.9	4	6	60	51.6	4	6	60	-	-	-	-
048K	0	37.3	4	6	60	-	-	-	-	-	-	-	-	-	-	-	-
	5	62.3	3	4	80	37.3	4	6	60	28.9	10	10	30	-	-	-	-
	8	74.8	1	3	100	37.3	4	6	60	41.4	6	8	45	-	-	-	-
	10	87.3	1	2	110	37.3	4	6	60	53.9	4	6	60	-	-	-	-
	15	112.3	00	1	130	37.3	4	6	60	53.9	4	6	60	25.0	10	10	30
	20	137.3	000	00	160	37.3	4	6	60	53.9	4	6	60	50.0	4	6	60
060K	0	44.7	4	6	60	-	-	-	-	-	-	-	-	-	-	-	-
	5	69.7	1	3	100	44.7	4	6	60	28.9	10	10	30	-	-	-	-
	8	82.2	1	2	110	44.7	4	6	60	41.4	6	8	45	-	-	-	-
	10	94.7	0	1	120	44.7	4	6	60	53.9	4	6	60	-	-	-	-
	15	119.7	000	0	150	44.7	4	6	60	53.9	4	6	60	25.0	10	10	30
	20	144.7	0000	00	170	44.7	4	6	60	53.9	4	6	60	50.0	4	6	60

# BLOWER PERFORMANCE

Model Number Q4SA-	Speed	External Static Pressure Drop - Inches water column							
		0.1	0.2	0.3	0.4	0.5	0.6	0.7	0.8
036	High	1600	1510	1410	1310	1200	1070	930	760
	Medium	1410	1330	1250	1150	1050	940	820	670
	Low	1130	1070	1000	930	850	760	650	530
048	High	2200	2140	2070	2000	1930	1850	1770	1690
	Medium	1940	1890	1830	1760	1700	1630	1560	1490
	Low	1560	1510	1460	1410	1360	1310	1250	1200
060	High	2200	2140	2070	2000	1930	1850	1770	1690
	Medium	1940	1890	1830	1760	1700	1630	1560	1490
	Low	1560	1510	1460	1410	1360	1310	1250	1200

Model Number Q4SC-	Speed	External Static Pressure Drop - Inches water column							
		0.1	0.2	0.3	0.4	0.5	0.6	0.7	0.8
036	High	1600	1510	1410	1310	1200	1070	930	760
	Medium	1410	1330	1250	1150	1050	940	820	670
	Low	1130	1070	1000	930	850	760	650	530
048	High	2270	2200	2140	2070	2000	1930	1850	1770
	Medium	2000	1940	1890	1830	1760	1700	1630	1560
	Low	1600	1560	1510	1460	1410	1360	1310	1250
060	High	2270	2200	2140	2070	2000	1930	1850	1770
	Medium	2000	1940	1890	1830	1760	1700	1630	1560
	Low	1600	1560	1510	1460	1410	1360	1310	1250

Note: Airflow performance is for wet coil.

# HEATER APPLICATION MATRIX

Model Number	H3HK-005H-01	H3HK-008H-01	H3HK-010H-01	H3HK-015H-01	H3HK-020H-01	H3HK-015H-21	H3HK-020H-21
	917166	917167	917168	917169	914950	917010	917011
Q4S(-)-036K	X	X	X(2)	X(2)	NA	X	NA
Q4S(-)-048K	X(2)	X(2)	X(2)	X(3)	X(3)	X(1)	X(1)
Q4S(-)-060K	X(2)	X(2)	X(2)	X(3)	X(3)	X(1)	X(1)

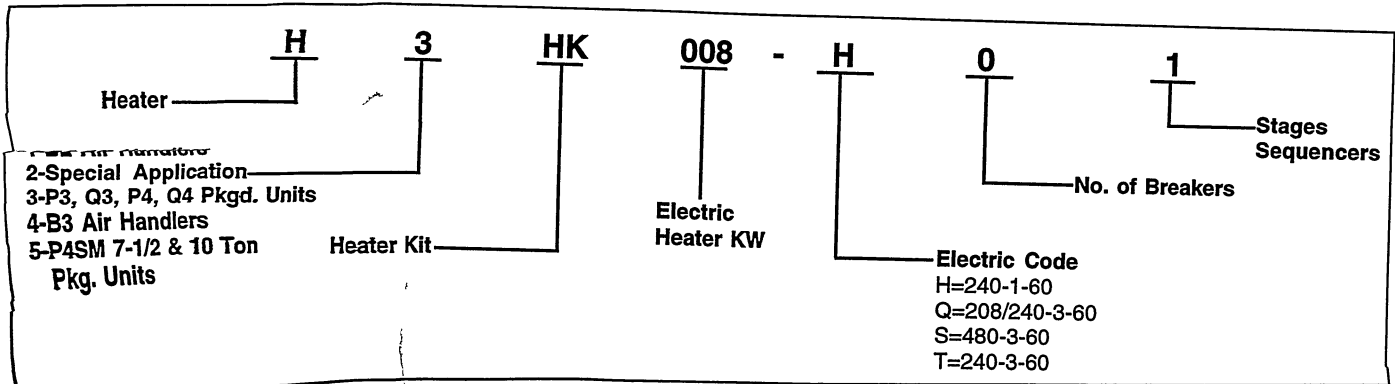
Model Number	H3HK-009Q-01	H3HK-015Q-01
	903854	903855
Q4S(-)-036C	X	X(2)
Q4S(-)-048C	X	X(2)
Q4S(-)-060C	X	X(2)

Model Number	H3HK-009S-01	H3HK-015S-01
	903850	903851
Q4S(-)-036D	X	X
Q4S(-)-048D	X	X
Q4S(-)-060D	X	X

NA = Not Applicable.  
 ( ) = Number of internal circuit breaker kits required.

# MODEL IDENTIFICATION CODE



## Q4 ACCESSORIES

Description	Part Number
Roof Curb (8")	547830
Roof Curb (14")	547831
Roof Curb (18")	547850
Roof Curb (24")	547851
Manual Fresh Air Damper	547832
Economizer, downflow w/filter (does not require filter kit)	547833
Supply/return transition, 16"	547834
Supply/return transition, 18"	547835
Concentric diffuser, flush, 16"	547836
Concentric diffuser, flush, 18"	547837
Concentric diffuser, step down 16"	547838
Concentric diffuser, step down 18"	547839
Motorized Fresh Air Damper	547840
Economizer, horizontal (special order)	547841
Power Exhaust, downflow economizer (special order)	547842
Power Exhaust horizontal economizer (special order)	547843
Hail guard 30x76 (special order, see Note 1)	547845
Hail guard 34x76 (special order, see Note 2)	547846
Filter Kit (See Note 1)	547887
Filter Kit (See Note 2)	547888
Filter Rack	547885
Economizer, horizontal 3-position w/filter	547896
Economizer, downflow 3-position w/filter	547897
Universal Hard Start Kit	912933
Low Pressure Switch Kit	913551
High Pressure Switch Kit	913550
Low Ambient Kit	913549A
P-Trap Kit	913810
Outdoor Thermostat Kit	913852
Circuit Breaker Kit-Single Phase	913554
Circuit Breaker Kit-Three Phase	913740
4-pole single circuit adapter kit (Single Phase Units Only)	913350
6-pole single circuit adapter kit (Single Phase Units Only)	913556
Duct Smoke Detect. Photo Elect.	547892
Multi-signal control SSK 451	547893
Sampling Tube ST3, 2-4 ft.	547894
Sampling Tube ST5, 4-8 ft.	547895

Note 1: Q4SA-036( )

Note 2: Q4SA-048( ), Q4SA-060( ), Q4SC-036( )



We Encourage  
Professionalism



Through Technician  
Certification by NATE

St. Louis, MO

**NORDYNE**

604A-1000 (Replaces 604A-0600)

Before purchasing this appliance, read important energy cost and efficiency information available from your retailer. Specifications and illustrations subject to change without notice and without incurring obligations.

Printed in U.S.A. (10/00)