

---

## TECHNICAL SPECIFICATIONS

---

# P4SA Series and P4SC Series

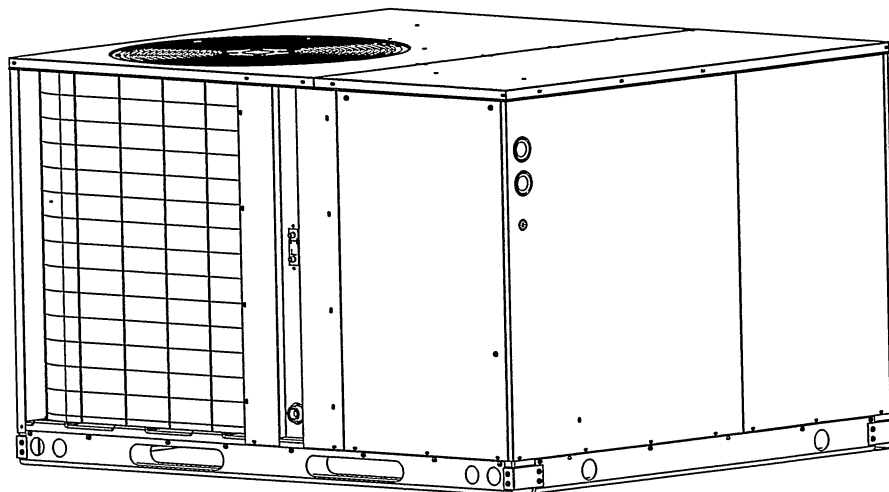
## Single Packaged Air Conditioning, Single Phase and Three Phase

### 3, 4 and 5 Ton Units

**P4SA-10 SEER** Cooling: 36,000 to 61,000 Btuh

**P4SC-12 SEER** Cooling: 35,000 to 60,000 Btuh

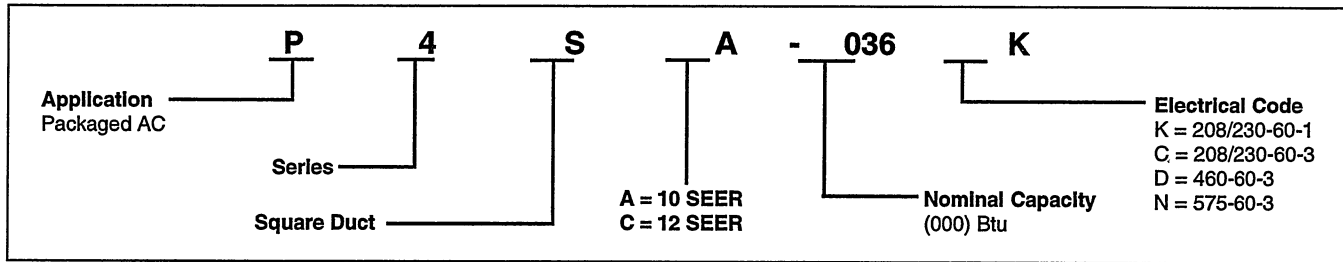
The P4 Series single packaged air conditioners are high efficiency self contained cooling units that can be installed on a roof or on a slab. The convertible unit design makes installations simple in all applications. Units are ETL and ETLc listed. The unit is truly designed with the contractor and the consumer in mind.



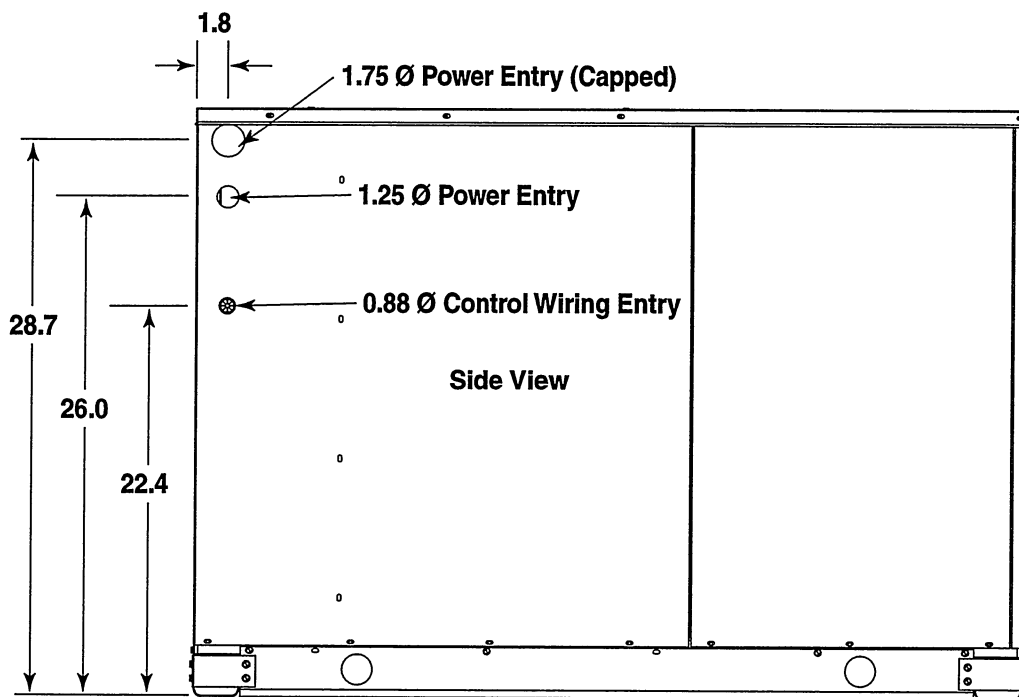
### FEATURES AND BENEFITS

- **Compact Footprint/Low Profile**  
Easy to handle and transport.
- **Heavy-Gauge, Full Perimeter Base Rails**  
Facilitates forklift handling and curb mounting.
- **Convertible Air Delivery**  
Horizontal or downflow to accommodate rooftop or horizontal application.
- **Galvanized Steel with Polyurethane Finish**  
Provides a minimum of 950 hours salt spray protection.
- **Externally Accessible Service Ports**  
Quick access to refrigerant system without disrupting operation.
- **Access to Controls and Major Components**  
Easy in and out service.
- **Corrosion-Resistant Drain Pan**  
Quickly drains away evaporator condensate.
- **Plastic Coated Coil Guard and Plastic Mesh Hail Guard** - Protects unit coil from damage.
- **Designed to Make Servicing Easier for the Contractor**  
Access panels are provided to all major components and the compressor.
- **Easy to Install**  
Electric heat strip provides up to 20 KW of heat output.
- **Proven, Industry Standard Components**  
Easier service and availability.
- **Quiet Operation**  
Low vibration. 20" fan blade combined with custom venturi condenser fan.
- **Accessories**  
Roof curbs, economizers, fresh air dampers and more.
- **Residential Warranty**  
6 year limited parts
- **Commercial Warranty**  
1 year limited parts  
5 year compressor

# MODEL IDENTIFICATION CODE

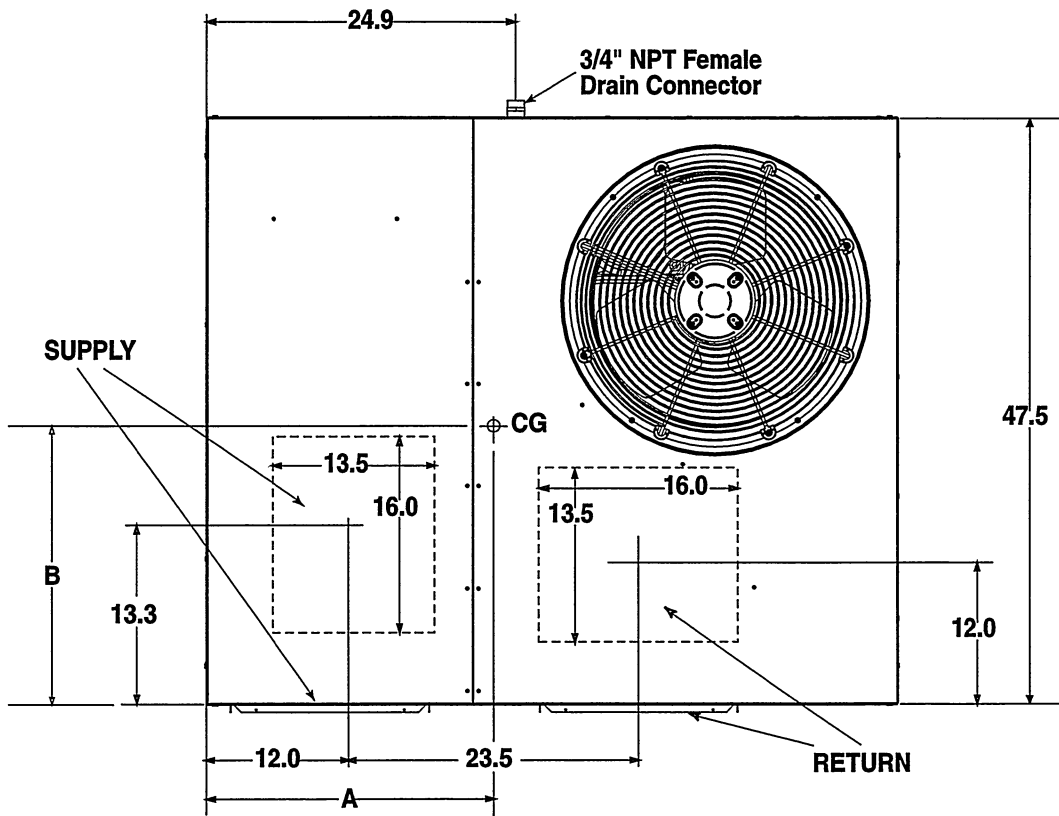


# DIMENSIONS

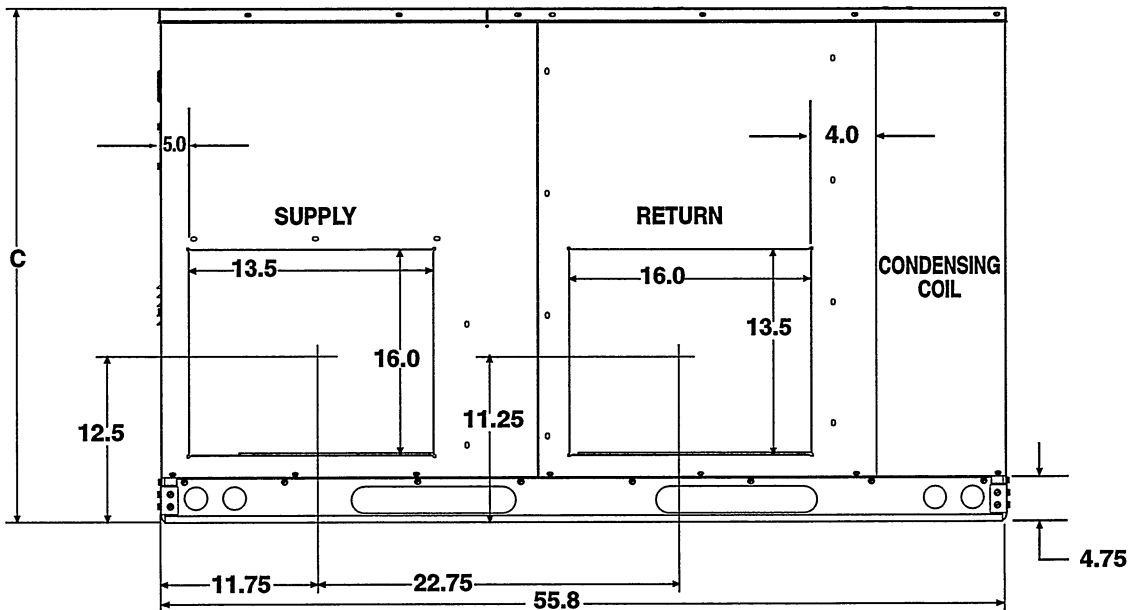


Model No.	Unit Weight	Center of Gravity		Height (in inches)	
		A	B	C	
				with base rails	without base rails
P4SA-036	330	27.5	26.5	33.7	31.3
P4SA-048	345	28.0	26.0	33.7	31.3
P4SA-060	380	28.5	26.5	37.7	35.3
P4SC-036	335	28.0	25.5	33.7	31.3
P4SC-048	405	29.5	26.0	37.7	35.3
P4SC-060	415	29.5	26.5	37.7	35.3

# DIMENSIONS (Continued)



Top View



Back (Duct) View

# SPECIFICATIONS

Model Number	P4SA -												P4SC -		
	036K	048K	060K	036C	048C	060C	036D	048D	060D	036N	048N	060N	036K	048K	060K
<b>Performance</b>															
Capacity - Cooling BTUH	36,000	47,000	61,000	36,000	47,000	61,000	36,000	47,000	61,000	36,000	47,000	61,000	35,000	47,000	60,000
Efficiency - SEER	10.00	10.00	10.00	10.00	10.00	10.00	10.00	10.00	10.00	10.00	10.00	10.00	12.00	12.00	12.00
EER (Btuh/watt)	9.50	9.40	9.60	9.50	9.40	9.60	9.50	9.40	9.60	9.50	9.40	9.60	11.00	10.90	10.50
<b>Electrical Rating - 60 Hz</b>															
Phase	1	1	1	3	3	3	3	3	3	3	3	3	1	1	1
Operating Voltage Range	187 - 253	187 - 253	187 - 253	187 - 253	187 - 253	187 - 253	414-506	414-506	414-506	518-633	518-633	518-633	187 - 253	187 - 253	187 - 253
<b>Compressor Data</b>															
Volts	208 / 230	208 / 230	208 / 230	208 / 230	208 / 230	208 / 230	460	460	460	575	575	575	208 / 230	208 / 230	208 / 230
Rated Load Amps	14.8	21.8	27	10.2	12.8	18.6	4.3	6.4	8.8	3.6	5.1	6.6	15.7	21.4	32.1
Lock Rotor Amps	96	131	175	75	91	128	40	46	63	35	40	49	93	137	169
<b>Indoor Blower</b>															
Type / No. of Speeds	DD / 3	DD / 3	DD / 3	DD / 3	DD / 3	DD / 3	DD / 3	DD / 3	DD / 2	DD / 3	DD / 3	DD / 2	DD / 3	DD / 3	DD / 3
Motor - HP / RPM	1/4 - 1100	1/2 - 1100	1/2 - 1100	1/3 - 1100	1/2 - 1100	1/2 - 1100	1/2 - 1100	1/2 - 1100	1/2 - 1100	1/2 - 1100	1/2 - 1100	1/2 - 1100	1/4 - 1100	1/2 - 1100	1/2 - 1100
Motor - Amps	1.3	3.1	3.1	1.3	3.1	3.1	0.7	1.7	1.7	1.4	1.4	1.4	1.3	3.1	3.1
<b>Outdoor Fan</b>															
Motor - HP / RPM	1/4 - 825	1/4 - 825	1/4 - 825	1/4 - 825	1/4 - 825	1/4 - 825	1/4 - 825	1/4 - 825	1/4 - 825	1/4 - 825	1/4 - 825	1/4 - 825	1/4 - 825	1/4 - 825	1/3 - 825
Motor - Amps	1.2	1.2	1.2	1.2	1.2	1.2	0.6	0.6	0.6	0.5	0.5	0.5	1.2	1.2	1.2
Fan Diameter / CFM	20/3600	20/3600	20/3600	20/3600	20/3600	20/3600	20/3600	20/3600	20/3600	20/3600	20/3600	20/3600	20/3600	20/3600	20/3600
<b>Refrigerant Charge - Oz.</b>	61	80	104	61	80	104	61	80	104	61	80	104	68	136	160
<b>Shipping Weight</b>	340	355	390	340	355	390	340	355	390	340	355	390	345	415	425

## BLOWER PERFORMANCE

Model	Speed	External Static Pressure Drop - inches water column							
		0.1	0.2	0.3	0.4	0.5	0.6	0.7	0.8
P4SA-036	High	1600	1510	1410	1310	1200	1070	930	760
	Medium*	1410	1330	1250	1150	1050	940	820	670
	Low	1130	1070	1000	930	850	760	650	530
P4SA-048	High	2000	1930	1850	1770	1690	1600	1510	1410
	Medium*	1760	1700	1630	1560	1490	1410	1330	1250
	Low	1410	1360	1310	1250	1200	1130	1070	1000
P4SA-060	High	2200	2140	2070	2000	1930	1850	1770	1690
	Medium*	1940	1890	1830	1760	1700	1630	1560	1490
	Low	1560	1510	1460	1410	1360	1310	1250	1200
P4SC-036	High	1600	1510	1410	1310	1200	1070	930	760
	Medium*	1410	1330	1250	1150	1050	940	820	670
	Low	1130	1070	1000	930	850	760	650	530
P4SC-048	High	2170	2100	2040	1960	1890	1810	1730	1650
	Medium*	1910	1860	1800	1730	1670	1600	1530	1450
	Low	1540	1490	1440	1390	1340	1280	1220	1160
P4SC-060	High	2200	2140	2070	2000	1930	1850	1770	1690
	Medium*	1940	1890	1830	1760	1700	1630	1560	1490
	Low	1560	1510	1460	1410	1360	1310	1250	1200

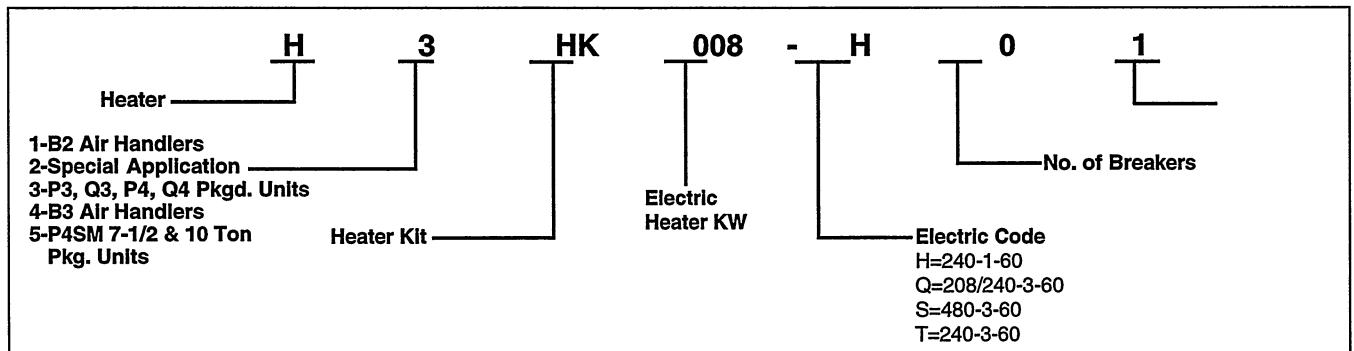
\* Factory Set Speed

## HEATER APPLICATION MATRIX

Model Number	H3HK-005H-01	H3HK-008H-01	H3HK-010H-01	H3HK-015H-01	H3HK-020H-01	H3HK-015H-21	H3HK-020H-21
	917166	917167	917168	917169	914950	917010	917011
Q4S(-)-036K	X	X	X(2)	X(2)	NA	X	NA
Q4S(-)-048K	X(2)	X(2)	X(2)	X(3)	X(3)	X(1)	X(1)
Q4S(-)-060K	X(2)	X(2)	X(2)	X(3)	X(3)	X(1)	X(1)
Model Number	H3HK-009Q-01	H3HK-015Q-01					
	903854	903855					
Q4S(-)-036C	X	X(2)					
Q4S(-)-048C	X	X(2)					
Q4S(-)-060C	X	X(2)					
Model Number	H3HK-009S-01	H3HK-015S-01					
	903850	903851					
Q4S(-)-036D	X	X					
Q4S(-)-048D	X	X					
Q4S(-)-060D	X	X					

NA = Not Applicable.  
( ) = Number of internal circuit breaker kits required.

## MODEL IDENTIFICATION CODE



# ELECTRICAL DATA

Model Number P4SA-	Heater KW	Single Circuit				Multiple Circuits											
		Min. Circuit Amp.	Rec Wire Gauge (60°C Cu)	Rec Wire Gauge (75°C Cu)	Maximum Over-current Protection	A (Compressor & Fan)			B (Heater & Blower)			C (Heater)					
					Min. Circuit Amp.	Rec Wire Gauge (60°C Cu)	Rec Wire Gauge (75°C Cu)	Maximum Over-current Protection	Min. Circuit Amp.	Rec Wire Gauge (60°C Cu)	Rec Wire Gauge (75°C Cu)	Maximum Over-current Protection	Min. Circuit Amp.	Rec Wire Gauge (60°C Cu)	Rec Wire Gauge (75°C Cu)	Maximum Over-current Protection	
036K	0	23.3	8	8	35	-	-	-	-	-	-	-	-	-	-	-	
	5	26.6	8	8	35	-	-	-	-	-	-	-	-	-	-	-	
	8	39.1	6	8	45	-	-	-	-	-	-	-	-	-	-	-	
	10	51.6	4	6	60	-	-	-	-	-	-	-	-	-	-	-	
	15	76.6	3	4	80	51.6	4	6	60	25.0	10	10	30	-	-	-	
048K	0	34.7	6	8	50	-	-	-	-	-	-	-	-	-	-	-	
	5	34.7	6	8	50	-	-	-	-	-	-	-	-	-	-	-	
	8	41.4	6	8	50	-	-	-	-	-	-	-	-	-	-	-	
	10	53.9	4	6	60	-	-	-	-	-	-	-	-	-	-	-	
	15	78.9	2	3	90	53.9	4	6	60	25.0	10	10	30	-	-	-	
060K	0	103.9	1	2	110	53.9	4	6	60	50.0	4	6	60	-	-	-	
	5	41.9	4	6	60	-	-	-	-	-	-	-	-	-	-	-	
	8	41.9	4	6	60	-	-	-	-	-	-	-	-	-	-	-	
	10	53.9	4	4	70	41.9	4	6	60	25.0	10	10	30	-	-	-	
	15	78.9	2	3	90	41.9	4	6	60	50.0	4	6	60	-	-	-	
036C	0	15.3	10	10	25	15.3	10	10	25	-	-	-	-	-	-	-	
	9	28.7	6	8	45	14.0	10	10	25	28.7	10	10	30	-	-	-	
	15	44.9	4	6	60	14.0	10	10	25	44.9	6	8	45	-	-	-	
	0	20.3	10	10	30	20.3	10	10	30	-	-	-	-	-	-	-	
	9	30.9	6	8	50	17.2	10	10	30	30.9	10	10	35	-	-	-	
048C	0	27.6	6	8	45	17.2	10	10	30	47.2	6	8	50	-	-	-	
	9	30.9	4	6	60	27.6	6	8	45	-	-	-	-	-	-	-	
	15	47.2	3	4	80	24.5	6	8	40	30.9	10	10	35	-	-	-	
	0	6.7	12	12	15	24.5	6	8	40	47.2	6	8	50	-	-	-	
	9	15.9	10	10	20	6.7	12	12	15	-	-	-	-	-	-	-	
060C	0	6.7	12	12	15	6.0	12	12	15	15.9	10	10	20	-	-	-	
	9	15.9	10	10	20	6.0	12	12	15	23.4	10	10	25	-	-	-	
	15	23.4	10	10	25	6.0	12	12	15	-	-	-	-	-	-	-	
	0	10.3	12	12	15	10.3	12	12	15	-	-	-	-	-	-	-	
	9	17.2	10	10	20	8.6	12	12	15	17.2	10	10	20	-	-	-	
036D	0	24.7	10	10	30	8.6	12	12	15	24.7	10	10	25	-	-	-	
	9	17.2	10	10	20	13.3	10	10	20	-	-	-	-	-	-	-	
	15	24.7	6	8	40	11.6	10	10	20	17.2	10	10	20	-	-	-	
	0	5.7	14	14	15.0	11.6	10	10	20	24.7	10	10	25	-	-	-	
	9	8.3	14	14	15.0	-	-	-	-	-	-	-	-	-	-	-	
048D	0	8.3	14	14	15.0	-	-	-	-	-	-	-	-	-	-	-	
	9	10.1	14	14	15.0	-	-	-	-	-	-	-	-	-	-	-	
	15	10.1	14	14	15.0	-	-	-	-	-	-	-	-	-	-	-	
	0	10.1	14	14	15.0	-	-	-	-	-	-	-	-	-	-	-	
	9	10.1	14	14	15.0	-	-	-	-	-	-	-	-	-	-	-	

# ELECTRICAL DATA

Model Number PASC-	Heater KW	Single Circuit					Multiple Circuits										
		Min. Circuit Amp.	Rec Wire Gauge (60°C Cu)	Rec Wire Gauge (75°C Cu)	Maximum Over-current Protection	Min. Circuit Amp.	Rec Wire Gauge (60°C Cu)	Rec Wire Gauge (75°C Cu)	Maximum Over-current Protection	Min. Circuit Amp.	Rec Wire Gauge (60°C Cu)	Rec Wire Gauge (75°C Cu)	Maximum Over-current Protection	Min. Circuit Amp.	Rec Wire Gauge (60°C Cu)	Rec Wire Gauge (75°C Cu)	Maximum Over-current Protection
036K	0	22.1	8	8	35	-	-	-	-	-	-	-	-	-	-	-	-
	5	26.6	8	8	35	-	-	-	-	-	-	-	-	-	-	-	-
	8	39.1	6	8	45	-	-	-	-	-	-	-	-	-	-	-	-
	10	51.6	4	6	60	-	-	-	-	-	-	-	-	-	-	-	-
	15	76.6	3	4	80	51.6	4	6	60	25.0	10	10	30	-	-	-	-
048K	0	37.3	4	6	60	-	-	-	-	-	-	-	-	-	-	-	-
	5	37.3	4	6	60	-	-	-	-	-	-	-	-	-	-	-	-
	8	41.4	4	6	60	-	-	-	-	-	-	-	-	-	-	-	-
	10	53.9	4	6	60	-	-	-	-	-	-	-	-	-	-	-	-
	15	78.9	2	3	90	53.9	4	6	60	25.0	10	10	30	-	-	-	-
	20	103.9	1	2	110	53.9	4	6	60	50.0	4	6	60	-	-	-	-
060K	0	44.4	4	6	60	-	-	-	-	-	-	-	-	-	-	-	-
	5	44.4	4	6	60	-	-	-	-	-	-	-	-	-	-	-	-
	8	44.4	4	6	60	-	-	-	-	-	-	-	-	-	-	-	-
	10	53.9	4	4	70	44.4	4	6	60	25.0	10	10	30	-	-	-	-
	15	78.9	2	3	90	44.4	4	6	60	50.0	4	6	60	-	-	-	-
	20	103.9	1	2	110	44.4	4	6	60	50.0	4	6	60	25.0	10	10	30.0

# ACCESSORIES

Description	Part Number
Roof Curb (8")	547830
Roof Curb (14")	547831
Roof Curb (18")	547850
Roof Curb (24")	547851
Manual Fresh Air Damper	547832
Supply/return transition, 16"	547834
Supply/return transition, 18"	547835
Concentric diffuser, flush, 16"	547836
Concentric diffuser, flush, 18"	547837
Concentric diffuser, step down 16"	547838
Concentric diffuser, step down 18"	547839
Motorized Fresh Air Damper	547840
Power Exhaust, downflow economizer (special order)	547842
Power Exhaust horizontal economizer (special order)	547843
Hail guard 30x60 (special order, see Note 1)	547844
Hail guard 30x76 (special order, see Note 2)	547845
Hail guard 34x76 (special order, see Note 3)	547846
CO2 sensors (special order)	547848
Filter Rack	547885
Filter Kit (see Note 1)	547886
Filter Kit (see Note 2)	547887
Filter Kit (see Note 3)	547888
Economizer, downflow w/filter (does not require filter kit)	547833
Economizer, horizontal (special order)	547841
Economizer, horizontal 3-position w/filter	547896
Economizer, downflow 3-position w/filter	547897
Universal Hard Start Kit	912933
Low Pressure Switch Kit	913551
High Pressure Switch Kit	913550
Low Ambient Kit	913549
P-Trap Kit	913810
Circuit Breaker Kit-Single Phase (Comp. Circuit Disconnect)	913554
Circuit Breaker Kit-Three Phase (Comp. Circuit Disconnect)	913740
4-pole single circuit adapter kit (Single Phase Units Only)	913350
6-pole single circuit adapter kit (Single Phase Units Only)	913556
Duct Smoke Detect. Photo Elect.	547892
Multi-signal control SSK 451	547893
Sampling Tube ST3, 2-4 ft.	547894
Sampling Tube ST5, 4-8 ft.	547895

Note 1: P4SA-036K, P4SA-036C, P4SA-036D

Note 2: P4SA-048K, P4SA-048C, P4SA-048D, P4SC-036K

Note 3: P4SA-060K, P4SA-060C, P4SA-060D, P4SC-048K, P4SC-060K

We Encourage  
Professionalism



Through Technician  
Certification by NATE



St. Louis, MO **NORDYNE**

576A-1000 (Replaces 576A-0600)

Before purchasing this appliance, read important energy cost and efficiency information available from your retailer. Specifications and illustrations subject to change without notice and without incurring obligations. Printed in U.S.A.