
TECHNICAL SPECIFICATIONS

L1RA Series

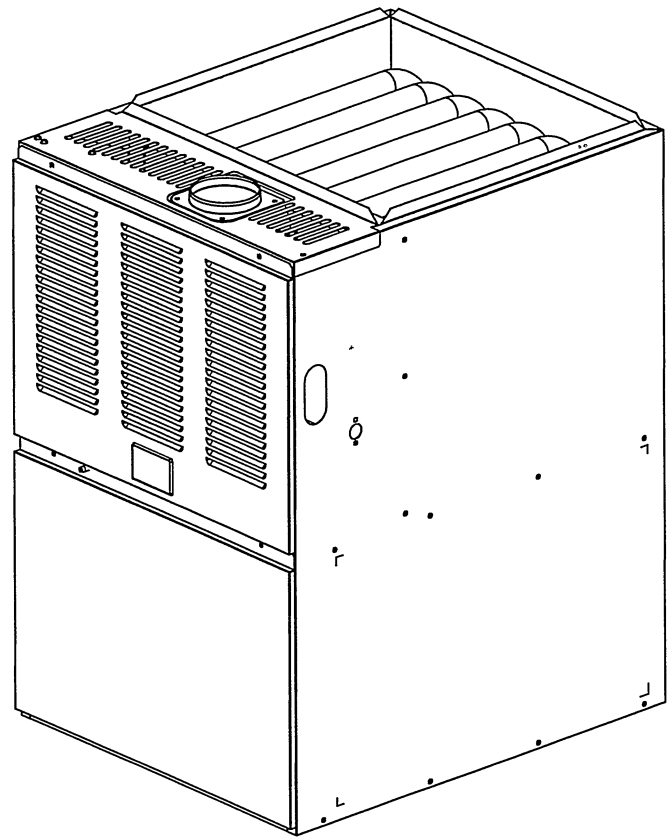
Upflow/Horizontal Gas Furnace

Induced Draft - 78+ AFUE
Input 45,000 - 126,000 Btuh

The upflow/horizontal gas furnace may be installed free standing in a utility room, basement, or enclosed in an alcove or closet. The extended flush jacket provides a pleasing "appliance appearance". The product is truly designed with the contractor and the consumer in mind.

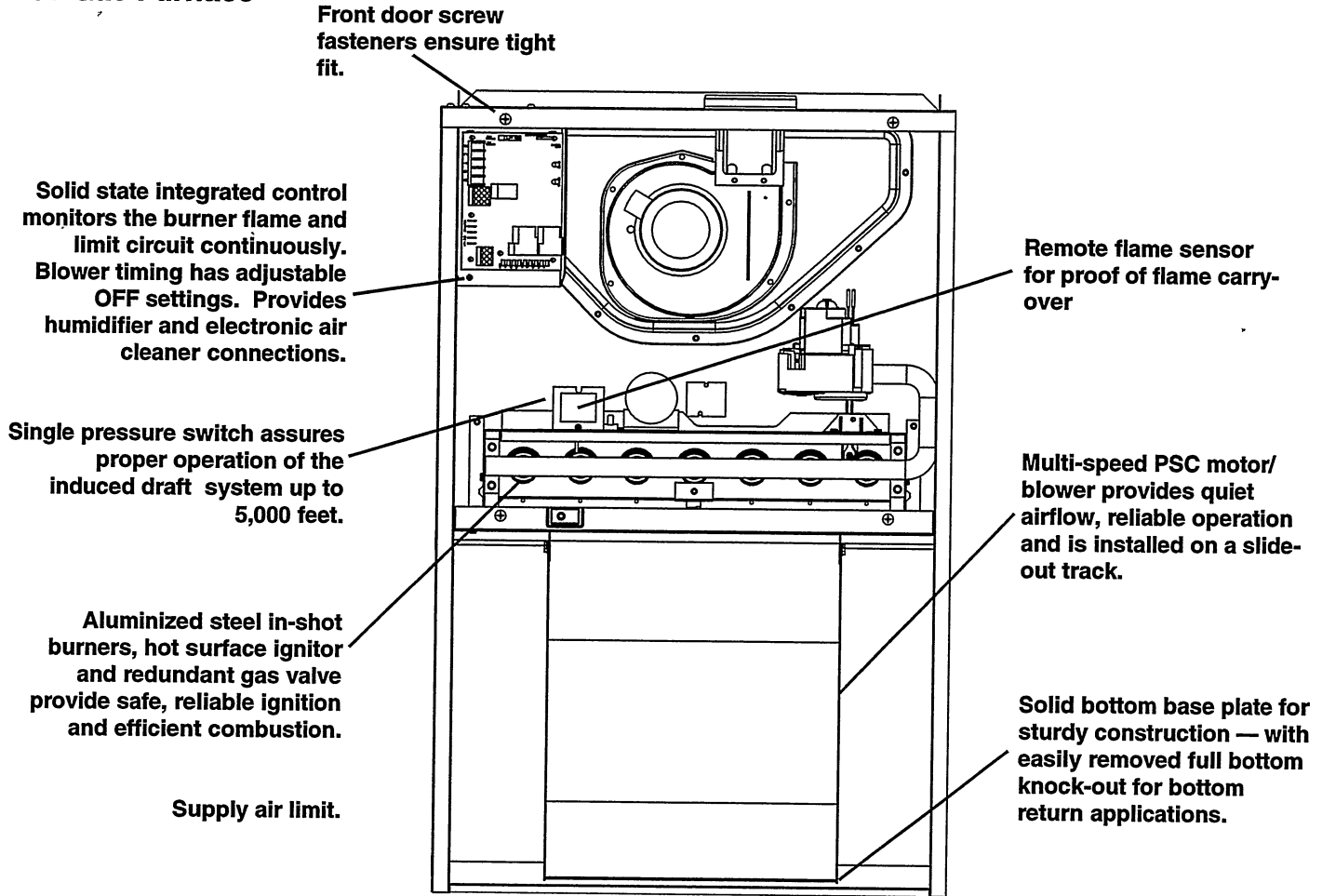
FEATURES and BENEFITS

- **Best warranty in the business** —
 - A full 20 years on the heat exchanger
 - 6 years on all parts
- **100% fired and tested** — All units and each component (both mechanical and electrical) are tested on the manufacturing line.
- **Best packaging in the industry** — Unique design assures product will arrive to the homeowner dent free.
- **Clean and quiet operation** — Due to the design of in-shot burners, location of inducer, return air vents, and use of insulation.
- **Fixed 30 second blower delay** at burner start-up assures a warm duct temperature at furnace start-up. Adjustable blower off settings (60, 90, 120 and 180 seconds).
- **Fixed 30 second post purge** increases life of heat exchanger.
- **Dependable, hot surface ignitor** — Innovative application of an appliance type ignitor with a 20 year history of reliability.
- **Color coded wire harness** — Designed to fit the components, all with quick-connect fittings for ease of service and replacement.
- **Approved for category I venting system** — May be common or dedicated vented for flexibility in installation.
- **Tubular primary heat exchanger** — Aluminized steel heat exchanger assures a long life.
- **90 second fixed cooling cycle blower-off delay (TDR)** increases cooling performance when matched with a NORDYNE coil.
- **Furnace is easy to handle** — short and lightweight.
- **Multi-speed direct drive blower** — Designed to give a wide range of cooling capacities. 40VA transformer included.
- **LP convertible** — Simple burner orifice and regulator spring change for ease of convertibility.
- **Diagnostic lights flash to identify limit failure, pressure switch failure, improper ground and polarization, and low flame signal** — for easy troubleshooting.
- **Incorporates integrated control board** with connections for electronic air cleaner, humidifier and twinning.
- **Two piece door design** enhances furnace appearance and uses screw fasteners for easier accessibility.
- **3 amp fuse** protection against low voltage shorts; protects transformer and control board.
- **Low voltage terminal board** for easy field wiring.



FEATURES

Upflow/Horizontal 78+ Gas Furnace



STANDARD EQUIPMENT

Draft inducer; pressure switch; redundant main gas control; hot-surface ignition; timed ON/OFF blower controls (TDR) ; 40VA transformer for air conditioner application; limit controls; solid base plate with knock-out for easy removal; direct drive motor; all models can be converted to use L.P. (propane) gas. Factory approved kits *only* must be used and are available as an optional accessory from your distributor.

SPECIFICATIONS

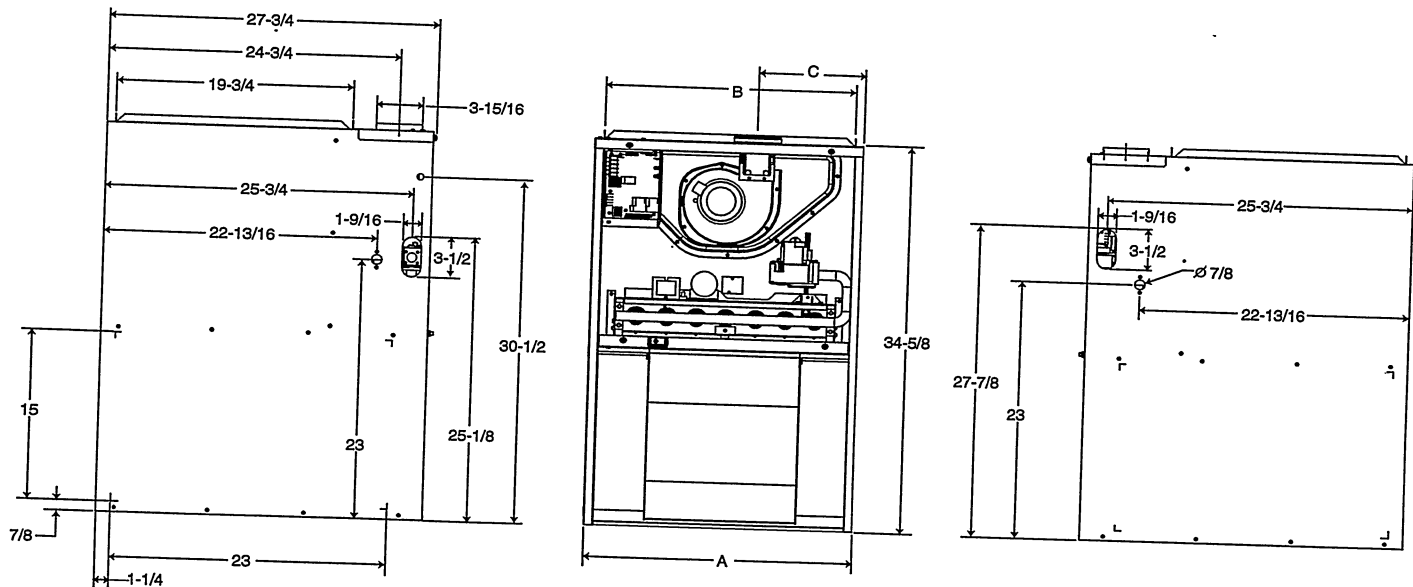
L1RA MODEL NUMBERS	045(*)08A	054(*)12A	072(*)12A	072(*)12B	072(*)16B	090(*)12B	090(*)16B	108(*)16B	108(*)20C	126(*)20C
Input-Btuh (a)	45,000	54,000	72,000	72,000	72,000	90,000	90,000	108,000	108,000	126,000
Heating Capacity - Btuh	36,000	43,000	58,000	58,000	58,000	72,000	72,000	86,000	86,000	101,000
AFUE	78+	78+	78+	78+	78+	78+	78+	78+	78+	78+
Max. Htg. Ext. St. Press. In W.C.	.5	.5	.5	.5	.5	.5	.5	.5	.5	.5
Blower Wheel D x W	10 x 6	10 x 6	10 x 6	9 x 9	10 x 10	9 x 9	10 x 10	11 x 10	11 x 10	11 x 10
Motor H.P. -Speed -Type	1/5-2-PSC	1/3-3-PSC	1/4-3-PSC	1/4-3-PSC	1/2-2-PSC	1/4-3-PSC	1/2-2-PSC	1/2-2-PSC	1/2-2-PSC	1/2-2-PSC
Motor FLA	4.0	6.0	6.0	6.0	8.8	6.0	8.8	8.8	10.1	10.1
Temperature Rise Range - °F	40 - 70	40 - 70	40 - 70	40 - 70	40 - 70	40 - 70	40 - 70	40 - 70	40 - 70	40 - 70

*Can be C or N.

All models are 115 V, 60 Hz. Gas connections are 1/2" N.P.T.
AFUE = Annual Fuel Utilization Efficiency.

(a) Ratings to 2,000 feet. Over 2,000 feet, reduce 4% for each 1,000 ft. above sea level.

DIMENSIONS



FURNACE DIMENSIONS AND SHIPPING WEIGHTS						
Model Number L1RA-	Furnace Input (Btu/h)	Dimensions				Shipping Weight (lbs)
		A (in.)	B (in.)	C (in.)	Flue Outlet (in.)	
045(*)-08A	45,000	14 1/4	12 3/4	4	4	88
054(*)-12A	54,000	14 1/4	12 3/4	4	4	94
072(*)-12A	72,000	14 1/4	12 3/4	4	4	96
072(*)-12B	72,000	19 3/4	18 1/4	7 5/8	4	108
072(*)-16B	72,000	19 3/4	18 1/4	7 5/8	4	115
090(*)-12B	90,000	19 3/4	18 1/4	7 5/8	4	115
090(*)-16B	90,000	19 3/4	18 1/4	7 5/8	4	120
108(*)-16B	108,000	19 3/4	18 1/4	7 5/8	4	125
108(*)-20C	108,000	22 1/2	21	9	4	135
126(*)-20C	126,000	22 1/2	21	9	4	137

Note: *Can be C or N

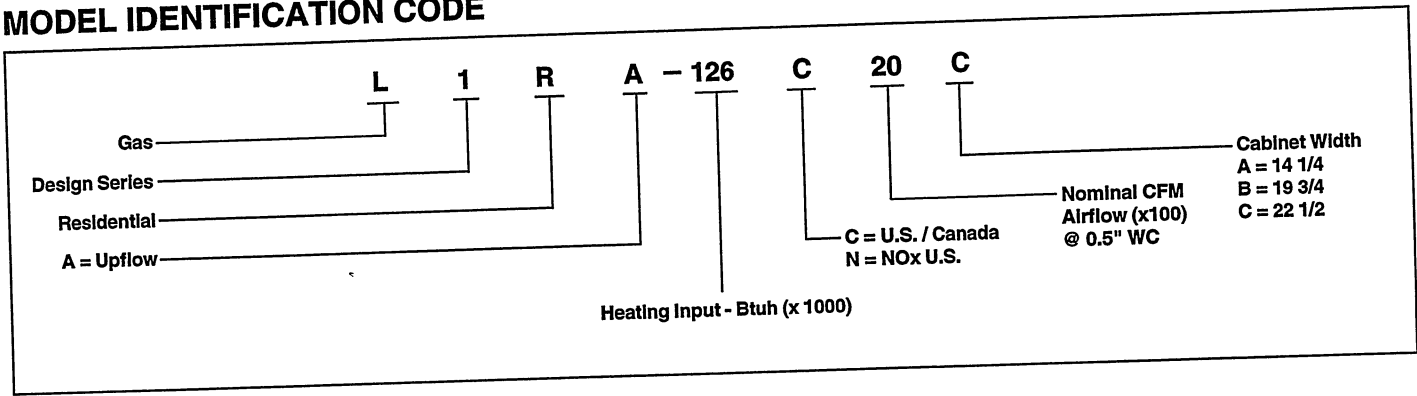
BLOWER PERFORMANCE

Model Number L1RA	Heating Input (Btu/h)	Motor Speed	Motor HP	External Static Pressure (Inches Water Column)															
				0.1		0.2		0.3		0.4		0.5		0.6		0.7		0.8	
				CFM	Rise	CFM	Rise	CFM	Rise	CFM	Rise	CFM	Rise	CFM	Rise	CFM	Rise	CFM	Rise
045C-08A	40,000	High*	1/5	1000	-	970	-	950	-	920	-	870	-	820	-	770	-	700	42
				760	38	740	40	730	40	720	41	690	42	670	44	640	46	620	47
054C-12A	54,000	High*	1/3	1300	-	1260	-	1210	-	1160	-	1110	-	1050	-	980	40	910	43
				1150	-	1120	-	1090	-	1050	-	1000	-	950	42	890	44	830	48
072C-12A	72,000	Medium	1/3	1380	-	1350	-	1310	40	1260	42	1210	44	1150	46	1080	49	1000	53
				1220	43	1190	44	1160	45	1120	47	1070	49	1020	52	950	55	880	60
072C-12B	72,000	Low**	1/3	820	64	800	66	780	68	760	69	730	-	700	-	670	-	640	-
				1550	-	1500	-	1440	-	1360	-	1280	-	1190	45	1080	49	970	55
072C-16B	72,000	Medium	1/4	1310	41	1290	41	1250	43	1200	44	1140	47	1060	50	970	55	870	61
				1030	52	1030	52	1010	53	980	54	930	57	860	62	780	69	670	-
072C-12B	72,000	Low**	1/4	1730	-	1710	-	1680	-	1650	-	1610	-	1570	-	1510	-	1450	-
				1520	35	1500	36	1480	36	1450	37	1410	38	1370	39	1330	40	1280	42
090C-12B	90,000	High*	1/2	1550	42	1500	44	1440	46	1360	48	1280	51	1190	55	1080	61	970	68
				1310	50	1290	51	1250	53	1200	55	1140	58	1060	62	970	68	870	-
090C-16B	90,000	Low**	1/2	1030	64	1030	64	1010	65	980	67	930	-	860	-	780	-	670	-
				1790	-	1750	-	1710	-	1660	40	1600	41	1540	43	1480	45	1400	47
108C-16B	108,000	High*	1/2	1490	44	1460	45	1420	46	1380	48	1340	49	1290	51	1240	53	1190	55
				1490	53	1460	54	1420	56	1380	57	1340	59	1290	61	1240	64	1190	66
108C-20C	108,000	Low**	1/2	1790	44	1750	45	1710	46	1660	48	1600	49	1540	51	1480	54	1400	56
				2130	-	2100	-	2050	-	1990	40	1930	42	1850	43	1770	45	1680	48
126C-20C	126,000	High*	1/2	1730	46	1700	47	1670	48	1620	49	1580	51	1530	52	1470	54	1410	57
				2130	44	2100	45	2050	46	1990	47	1930	48	1850	50	1770	53	1680	56
126C-20C	126,000	Low**	1/2	1730	54	1700	55	1670	56	1620	57	1580	59	1530	61	1470	64	1410	66

* Factory Set Cooling Speed
 ** Factory Set Heating Speed
 - Not Recommended

Notes: 1. Airflow rates of 1800 CFM or more require two return air connections. Data is for operation with filter(s).
 2. Temperature rises in the table are approximate. Actual temperature rises may vary.
 3. Temperature rises and airflows for external static pressures greater than 0.5 are for reference only. These conditions are not recommended.

MODEL IDENTIFICATION CODE



High Efficiency 78+ with Honeywell VR Gas Valve		
Kit		Order Number
U.S. LP Conversion Kit (0 to 10,000 ft.)		903848
Canadian LP Gas Conversion Kit (0 to 4,500 ft.)		903849
Fossil Fuel Kit		914762
External Side Return Filter Frame		541036
Bottom Return Filter	A Cabinet	903088
Filter 20/Box	B Cabinet	903089
	C Cabinet	903090
Internal Side Return Filter Retainers 10/Box		903152
High Altitude Pressure Switch Kit		903853

VENTING

All models may be common vented with a gas water heater. Type B gas vent materials may be used when connected to a vertical vent system. The installation must be in accordance with the venting instructions supplied with the furnace.

GENERAL TERMS OF LIMITED WARRANTY *
 NORDYNE will furnish a replacement for any part of this product which fails in normal use and service within the applicable periods stated below, in accordance with the terms of the warranty.

L1RA Models Warranty
 Gas Heat Exchanger 20-Year Limited Warranty
 Any Other Part..... 6-Year Limited Warranty

* For complete details of the Limited Warranty, including applicable terms and conditions, see your local installer or contact the factory for a copy.



We Encourage Professionalism

 Through Technician Certification by NATE