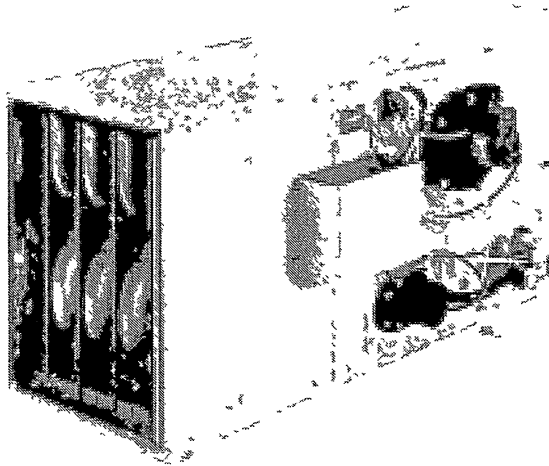


# TECHNICAL SPECIFICATIONS

## G2RS Series

### Extra-High Efficiency Horizontal Gas Furnace

**90+ AFUE - Condensing**  
**Input 50,000 - 125,000 Btuh**



#### Features:

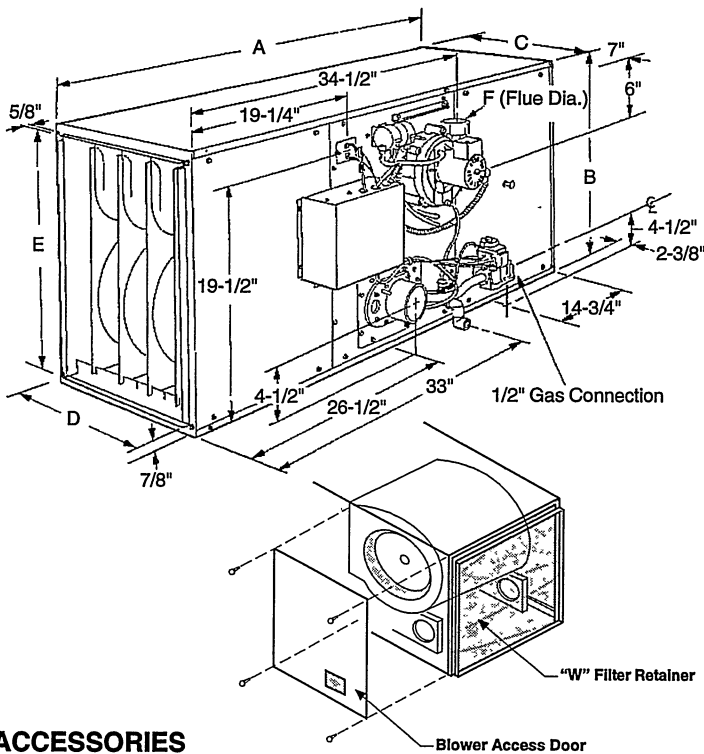
- Four pass aluminized steel sectional heat exchanger.
- 29 - 4C Stainless steel secondary heat exchanger.
- Single port in-shot burners.
- Redundant gas valve.
- Adjustable fan and fixed limit control.
- Multi-speed PSC motor - air conditioner ready.
- Shipped right-hand; converts to left-hand in field.
- Flame roll-out switch.
- PVC Venting - to 50 ft. and 5 elbows.
- California NO<sub>x</sub> approved.
- Easy field conversion from NAT to LP.
- 20-Year limited primary and secondary heat exchanger warranty.

<b>G2RS MODEL NUMBERS:</b>	<b>050C-12</b>	<b>075C-13</b>	<b>100C-16</b>	<b>125C-20</b>
Input-Btuh (a),(b)	50,000	75,000	100,000	125,000
Heating Capacity - Btuh (a)	47,000	69,750	92,000	115,000
<b>AFUE</b>	<b>94.0</b>	<b>93.0</b>	<b>92.0</b>	<b>92.0</b>
California Seasonal Efficiency	84.1	83.3	84.6	85.6
Motor H.P. -Speed	1/3 - 3	1/3 - 3	3/4 - 3	3/4 - 3
High Speed 0.5 ESP (CFM)	1235	1300	1600	1975
Low Speed 0.5 ESP (CFM)	820	800	1165	1315
Vent Diameter Size (Inches)	2	2	3	3
Air Filter Size (Inches)	13 x 23 x 1/2	13 x 23 x 1/2	16 1/2 x 23 x 1/2	20 x 23 x 1/2
Weight - Shipping (Pounds)	168	180	201	221

(a) Capacity and efficiency ratings in accordance with D.O.E. ICS test procedures.

(b) Ratings shown are for elevations up to 2,000 ft. Ratings should be reduced by 4% per 1,000 ft. for each 1,000 ft. above sea level.

AFUE = Annual Fuel Utilization Efficiency



**DIMENSIONS (Inches)**

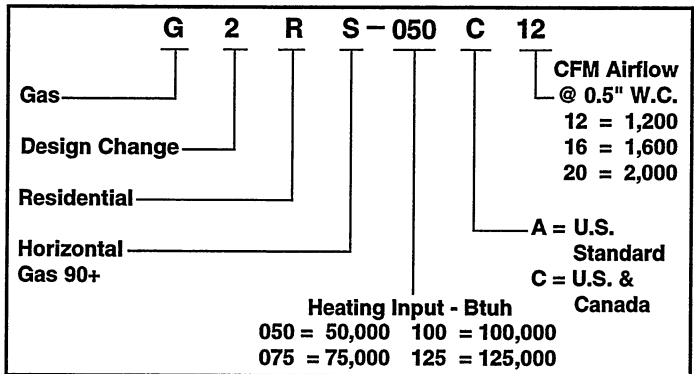
MODEL NUMBER G2RS	Dimensions			Duct Openings		Flue Dia.
	Length	Height	Width	D	E	F
	A	B	C			
050C-12	55	23 1/8	13 1/2	11 1/8	21 3/8	2
075C-13	55	23 1/8	13 1/2	11 1/8	21 3/8	2
100C-16	55	23 1/8	17	14 5/8	21 3/8	3
125C-20	55	23 1/8	20 1/2	18 1/8	21 3/8	3

**CLEARANCE TO COMBUSTIBLE MATERIALS (in.)**

Rear	Front (a)	Top (b)	Sides	Vent Piping
0	1	2	0	0

(a) Zero (0) inches with controls on the front. One (1) inch from the back of the elbow with air inlet on the back of the furnace. One (1) inch from the end of the inducer motor with controls on the back of the furnace.  
 (b) From the end of the inducer motor.

**IDENTIFICATION CODE**



**ACCESSORIES**

DU20050001	NAT Gas to L.P. Conversion Kit. VR8204H/VR8205H Gas Valve. For use on all units.
DU20055201	Filter Hanger Kit (includes high velocity filter). For use on 50,000 and 75,000 Btuh units.
DU20055202	Filter Hanger Kit (includes high velocity filter). For use on 100,000 Btuh units.
DU20055203	Filter Hanger Kit (includes high velocity filter). For use on 125,000 Btuh units.
DUC20065501	Flue Collar Kit vertical flue installations in Canada. Must be installed for CGA.

**WARNING:**

This furnace is not approved for use in Manufactured (Mobile) Homes.

**BLOWER PERFORMANCE**

Furnace Model No. G2RS	Fan Motor HP	Blower Size D x W	Blower Speed RPM	Airflow External Duct Static (Inches W.C.)									
				0.1	0.2	0.3	0.4	.05	0.6	0.7	0.8	0.9	1.0
050C-12	1/3	12 x 8	Low	905	885	865	845	820	785	745	690	625	560
			Medium	1210	1170	1130	1100	1060	1005	950	890	825	745
			High	1450	1410	1355	1300	1235	1175	1100	1040	960	875
075C-13	1/3	12 x 8	Low	860	850	830	825	800	775	745	710	665	615
			Medium	1160	1140	1125	1095	1065	1035	995	950	895	835
			High	1485	1445	1395	1345	1300	1245	1190	1130	1065	990
100C-16	3/4	12 x 9	Low	1330	1285	1230	1215	1165	1110	1040	980	915	860
			Medium	1690	1635	1585	1520	1455	1380	1310	1185	1135	1035
			High	1805	1755	1695	1640	1600	1495	1420	1335	1245	1140
125C-20	3/4	12 x 12	Low	1490	1455	1430	1375	1315	1265	1205	1140	1070	995
			Medium	1985	1925	1865	1800	1740	1670	1595	1515	1415	1305
			High	2240	2170	2100	2040	1975	1875	1795	1710	1600	1475

Notes: 1) Airflow values in cubic feet per minute (CFM), rounded to the nearest five (5) CFM.

2) Data taken without filters in place.

Before purchasing this appliance, read important energy cost and efficiency information available from your retailer.

