
TECHNICAL SPECIFICATIONS

B3VM Series

Air Handler

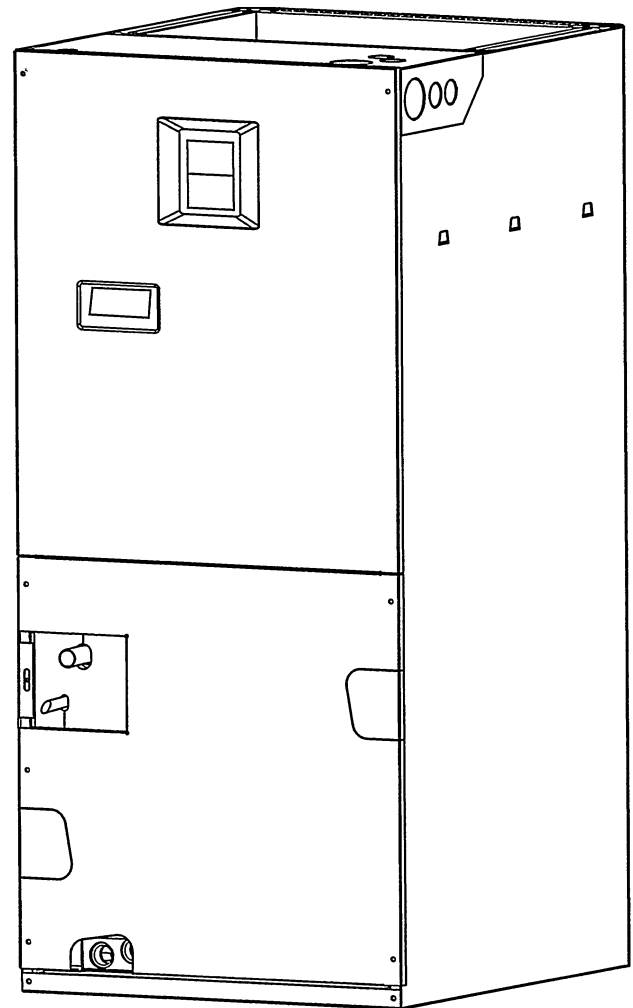
10 - 14 SEER Residential System

18,000 - 60,000 Btuh (Heat Pump & Air Conditioner)

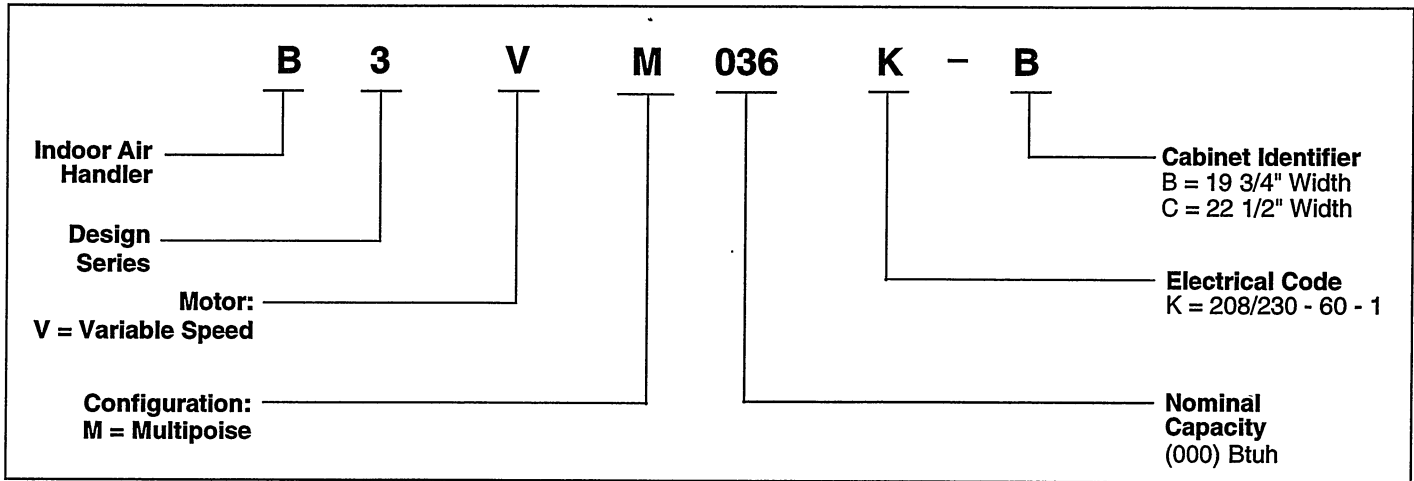
The B3VM Series of air handlers, when combined with our heat pump or air conditioner, offers a full line of quality, split system heating and cooling equipment.

FEATURES and BENEFITS

- **Increased Efficiencies**-Air conditioning and heat pump efficiencies up to 14 SEER and 8.5 HSPF.
- **ECM Variable Speed Motor** - new technology allows for 12 selected cooling airflows and 4 heating airflows to match any application.
- **Quiet Blower Operation** - Extra quiet and smooth blower on and off cycles.
- **Constant airflow** - Motor automatically adjusts to different static loads.
- **Pre-programmed delay profile** - Increase efficiency and comfort.
- **Reduced air stratification** - This results in improved air quality by optimizing humidity removal and filtration capabilities.
- **Multi-poised** - Can be used in horizontal, upflow, down-flow and vertical applications.
- **Built in Filter Rack** - makes the air handler easy to service.
- **Plug-in Heater Kits** - Available in 5 kw through 20 kw (Not for use in 115 Volt units)
- **Breaker Accessibility** - Breaker accessible from the front of the unit when heater is applied.
- **Plastic Drain Pan** - Provides corrosion resistance.
- **Durable Cabinet** - Galvanized steel with a polyurethane finish. The finish will endure 950 hours of salt spray and resist corrosion 50% better than comparable units.
- **6 Year Limited Parts Warranty** - Proven to be a major benefit to the consumer.



MODEL IDENTIFICATION CODE



SPECIFICATIONS

Model B3VM	036-B	048-B	060-C
Refrigerant Flow Control	.067	.080	.093
Maximum Available Auxiliary Heat (kw)	20	20	20
Nominal Blower Size (D x W)	11 x 8	11 x 8	11 x 10
Variable Speed Motor HP	1/2	1/2	3/4
Rated External Static Pressure (in. W.C.)	.35	.35	.40
CFM*	720 - 1450	720 - 1450	1075 - 2150
Filter Size	18 x 20 x 1	18 x 20 x 1	20 x 20 x 1
Approximate Shipping Weight (lbs.)	120	120	160

NOTES:

- 1) Units are 10 SEER air conditioner ready as shipped.
- 2) See current ARI Directory for certified combinations and ratings.

*Field selectable in 12 steps

ACCESSORIES

Accessory Kit Description	Size		Order Number
	B	C	
Downflow Adaptor Kit	X		917343A
Single Circuit Adaptor Kit	X	X	913874

240V Single Phase Electric Heat Kits

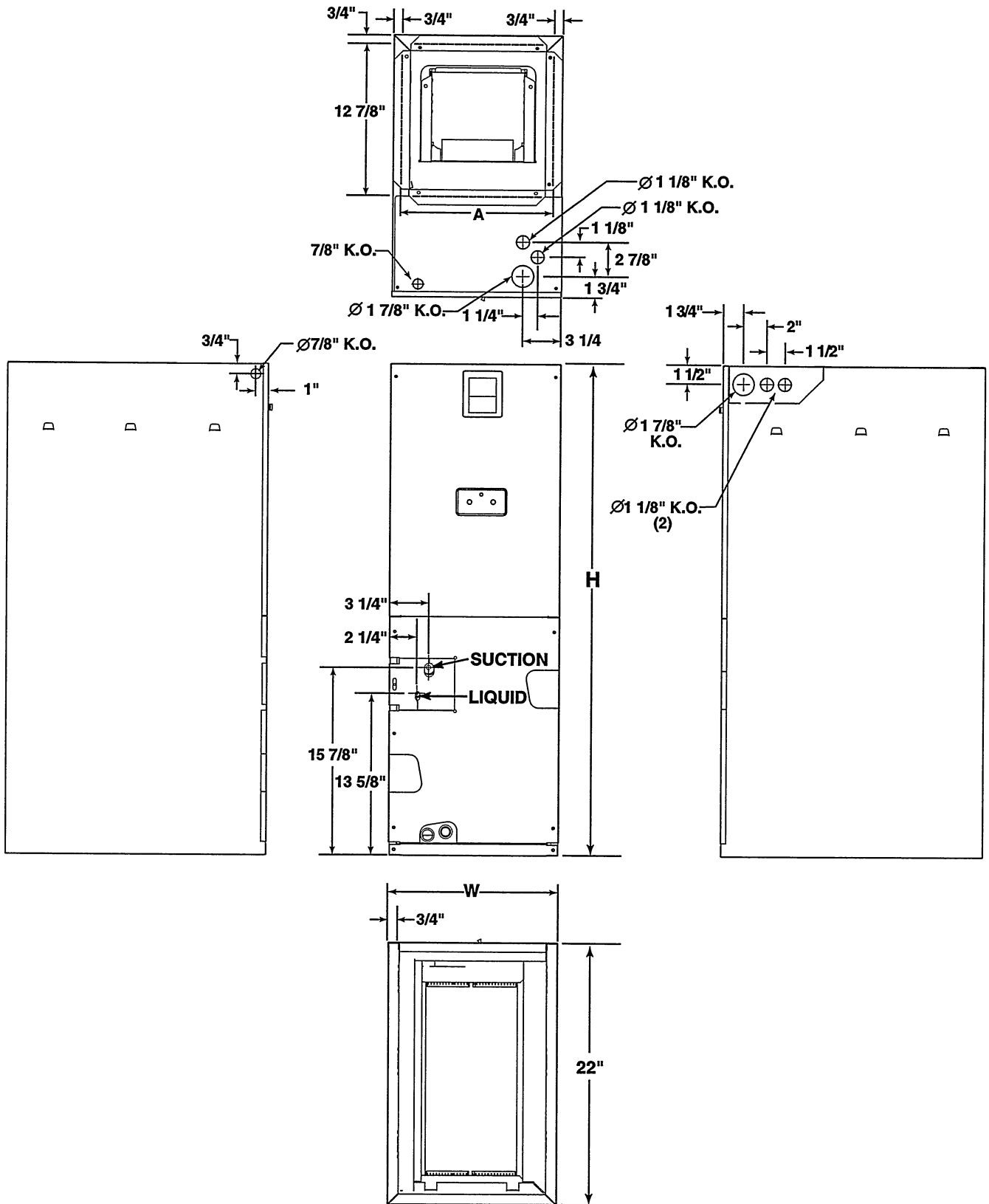
KW	No. of Stages	Approved for Cabinet	Order Number	
			with Circuit Breaker(s)	w/o Circuit Breaker(s)
5	1	A, B, C	917367	917366
8	1	A, B, C	917370	917368
10	1	A, B, C	917374	917372
14	1	A, B, C	903927	N/A
15	2	B, C	917376	N/A
20	2	B, C	917378	N/A

240V 3-Phase Electric Heat Kits

KW	No. of Stages	Approved for Cabinet	Order Number	
			with Circuit Breaker(s)	w/o Circuit Breaker(s)
9	1	B, C	917449	N/A
15	1	B, C	917450	N/A

DIMENSIONS

Models B3VM	H	W	A	Refrigerant Connections		Filter Size	Supply Air Duct Dimensions
				Suction Dia.	Liquid Dia.		
036K-B	43 1/2"	19 3/4"	18 1/4"	3/4"	3/8"	18 x 20 x 1	12 7/8" x 18 1/4"
048K-B	43 1/2"	19 3/4"	18 1/4"	3/4"	3/8"	18 x 20 x 1	12 7/8" x 18 1/4"
060K-C	43 1/2"	22 1/2"	21"	7/8"	3/8"	20 x 20 x 1	12 7/8" x 21"



Basic Airflow Setting

B-Cabinet

CFM	Switch Number				Nominal Capacity					
	1	2	3	4	1.5	2.0	2.5	3.0	3.5	4.0
720	0	0	0	1						
800	0	0	0	0						
860	1	0	0	1						
885	0	0	1	0						
960	1	0	0	0						
1060	1	0	1	0						
1125	0	1	0	1						
1185	1	1	0	1						
1250	0	1	0	0						
1315	1	1	0	0						
1375	0	1	1	0						
1450	1	1	1	0						

C-Cabinet

CFM	Switch Number				Nominal Capacity				
	1	2	3	4	3.0	3.5	4.0	5.0	
1075	0	0	0	1					
1140	1	0	0	1					
1225	0	0	0	0					
1300	1	0	0	0					
1380	0	0	1	0					
1465	1	0	1	0					
1555	0	1	0	1					
1665	1	1	0	1					
1775	0	1	0	0					
1900	1	1	0	0					
2000	0	1	1	0					
2150	1	1	1	0					

Note: 1=ON, 0=OFF

ELECTRICAL DATA

Model Number H4HK	Voltage	KW	Standard Air Handler						Variable Speed Air Handler					
			Min. Circuit Ampacity			Max. Over-Current Protection			Min. Circuit Ampacity			Max. Over-Current Protection		
			Circuit A	Circuit B	Single Circuit	Circuit A	Circuit B	Single Circuit	Circuit A	Circuit B	Single Circuit	Circuit A	Circuit B	Single Circuit
005H-	240	4.8	-	-	30.0	-	-	30	-	-	34.8	-	-	40
008H-	240	7.5	-	-	44.1	-	-	50	-	-	47.8	-	-	50
010H-	240	9.6	-	-	55.0	-	-	60	-	-	58.8	-	-	60
014H-	240	13.4	39.9	34.9	74.8	40	35	80	43.4	34.9	78.3	45	35	80
015H-	240	14.4	55.0	25.0	80.0	60	30	90	59.3	25.0	83.8	60	30	90
020H-	240	19.2	55.0	50.0	105.0	60	50	125	59.3	50.0	108.8	60	50	125
005H-	208	3.6	-	-	26.6	-	-	30	-	-	30.9	-	-	40
008H-	208	5.6	-	-	38.8	-	-	40	-	-	43.1	-	-	50
010H-	208	7.2	-	-	48.3	-	-	50	-	-	52.5	-	-	60
014H-	208	10.0	35.0	30.0	65.5	35	30	70	39.2	26.0	69.2	40	30	70
015H-	208	10.8	48.3	21.6	69.7	50	30	70	52.5	21.6	74.2	60	30	80
020H-	208	14.4	48.3	43.3	91.5	50	50	100	52.5	43.3	95.8	60	50	100
009Q-	240	9.0	-	-	32.4	-	-	35	-	-	35.8	-	-	40
015Q-	240	14.4	-	-	48.7	-	-	50	-	-	52.1	-	-	60
009Q-	208	6.8	-	-	28.8	-	-	30	-	-	32.2	-	-	35
015Q-	208	10.8	-	-	42.9	-	-	45	-	-	46.3	-	-	50

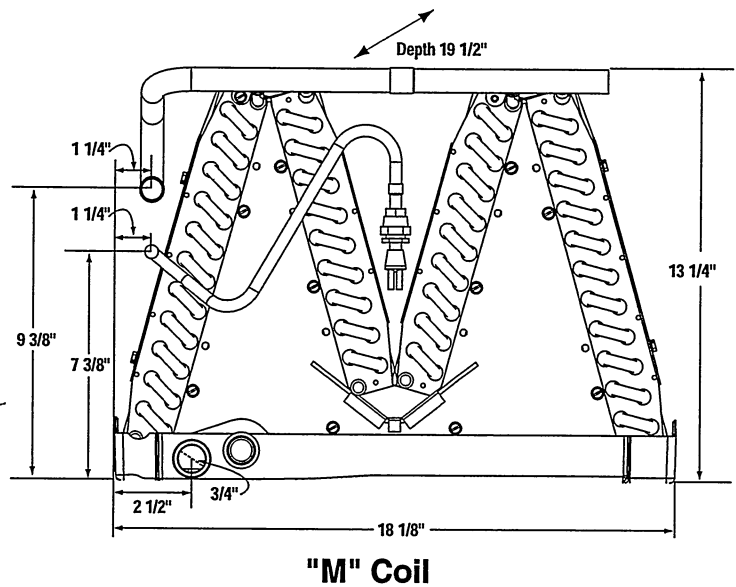
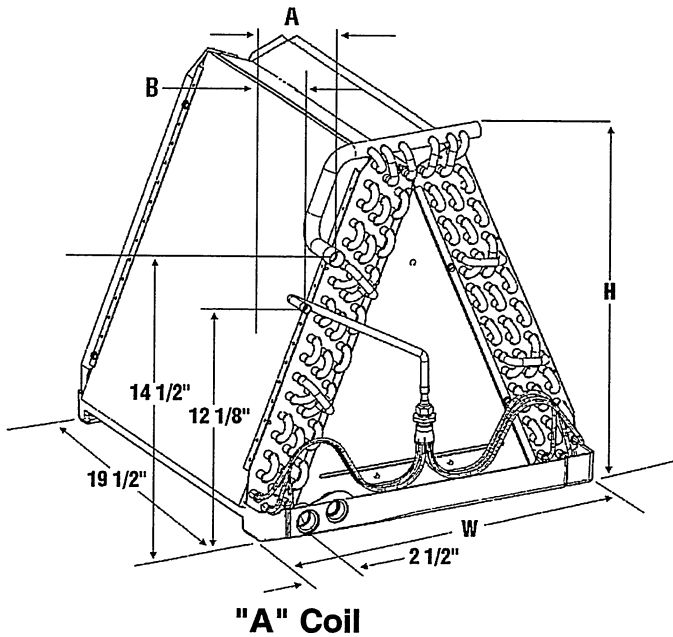
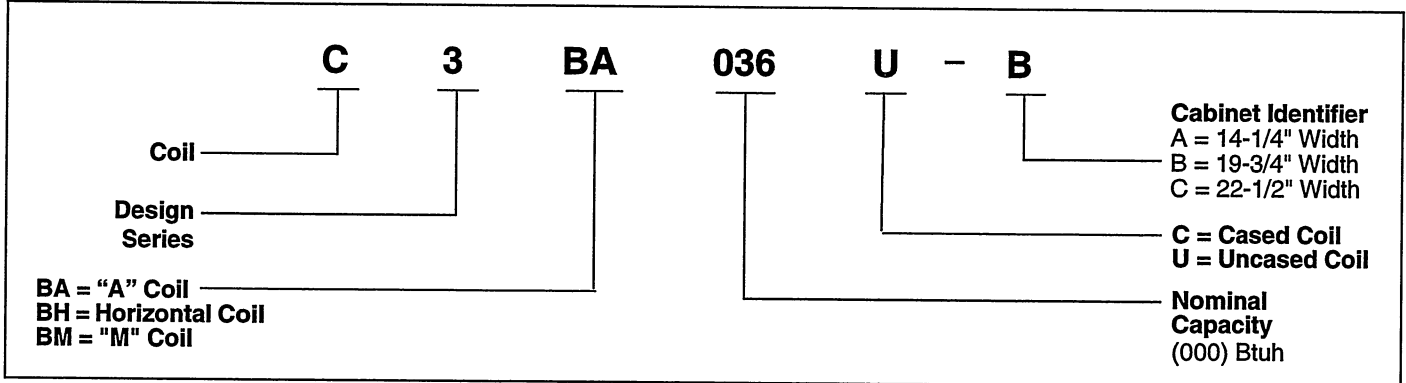


CERTIFICATION APPLIES ONLY WHEN THE COMPLETE SYSTEM IS LISTED WITH ARI

TECHNICAL SPECIFICATIONS

C3 Residential Indoor Coils

MODEL IDENTIFICATION CODE



COIL DATA TABLES

Model	C3BA, C3BH & C3BM	024-A (2)	030-A	036-A (2)	046-A	030-B	036-B (2)	C3BM 036	042-B	048-B (2)	048-C	060-C (2)
Face Area (ft ²)		2.75	4.18	4.18	5.12	4.18	4.18	5.04	4.18	4.18	4.18	5.58
Rows		2	2	2	2	2	2	2	3	3	3	3
Fins per inch		12	15	15	16	12	15	12	10	12	12	12
Refrigerant Flow Control		Fixed Orifice										
Orifice Size (1)		0.060/0.051*	0.063	0.067/0.063*	0.080	0.063	0.067	0.067	0.075	0.080	0.080	0.093
Nominal Airflow (cfm)		800	1125	1200	1500	1125	1200	1350	1400	1500	1500	1800
Pressure drop at nominal airflow (in w.c.)		0.12	0.30	0.21	0.30	0.15	0.21	0.30	0.30	0.30	0.30	0.30
Dimensions:	W(width)	12 3/4	12 3/4	12 3/4	12 3/4	18 1/8	18 1/8	18 1/8	18 1/8	18 1/8	21 1/16	21 1/16
Inches	H (height)	15	18 7/8	18 7/8	24 3/4	18 7/8	18 7/8	13 1/4	18 7/8	18 7/8	18 7/8	24 3/4
	A(suction)	2 3/8	2 3/8	2 3/8	2 3/8	2 3/8	1 1/4	2 3/8	2 3/8	3 1/4	3 1/4	2 3/8
	B (liquid)	1 3/8	1 3/8	1 3/8	1 3/8	1 3/8	1 1/4	1 3/8	1 3/8	1 3/4	1 3/4	1 3/8
Connections:	Liquid Line	3/8	3/8	3/8	3/8	3/8	3/8	3/8	3/8	3/8	3/8	3/8
Inches	Suction Line	3/4	3/4	3/4	3/4	3/4	3/4	3/4	3/4	3/4	3/4	7/8
Horizontal Kit		914633	914633	914633	914634	914633	914633	914633	914633	914633	914633	914634

(1) Orifice size shown is for 10 SEER rating with S3BA outdoor unit.

(2) Available as C3BH

* Orifice size shown is for 12 SEER rating with S3BC outdoor unit.

COIL DATA TABLES (continued)

C3 & C3BH Series Cased Coil Dimensions

Cabinet Identifier		Overall		Top Opening	Bottom Opening	Drain Pan Extension
		W	H	A	B	C
A	024	14 1/4	20	12 7/8	8	N/A
A	030-036	14 1/4	20	12 7/8	8	5
A	046	14 1/4	26	12 7/8	8	3 1/2
B	030-048	19 3/4	20	18 3/8	11	5
C	048	22 1/2	20	21 1/8	14	5
C	060	22 1/2	26	21 1/8	14	3 1/2

See Figures 1 and 2.

NOTE: C3BH available in 024-A, 036-A, 036-B, 048-B and 060-C.

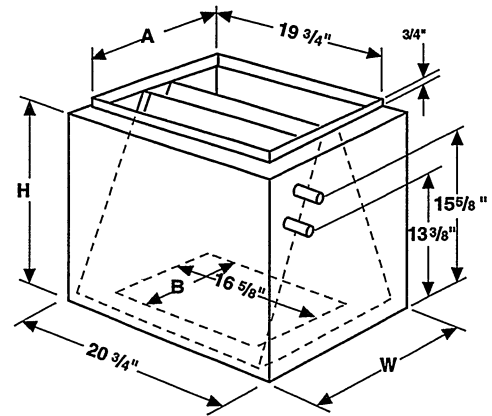


Figure 1. C3BA Cased Coil

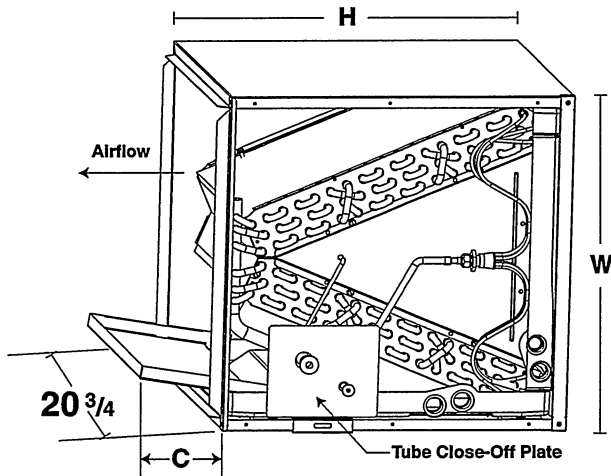


Figure 2. C3BH Horizontal Left Configuration

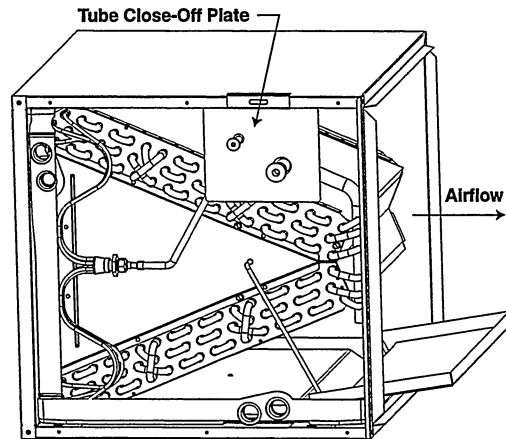


Figure 3. C3BH Horizontal Right Configuration

Drain Pan—Bottom View

Dimension	"A" Cabinet 24-36	"B" Cabinet 30-48	"C" Cabinet 60
W	12 3/4	18 1/8	21 1/16
B	8	11	14

See Figure 4.

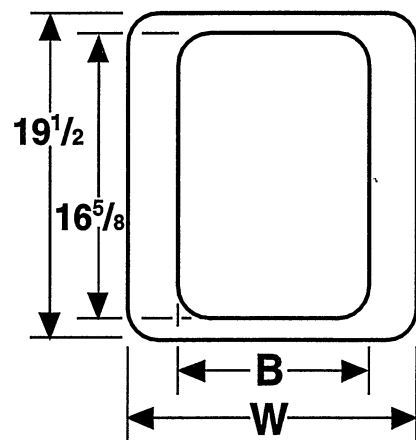


Figure 4. Drain Pan Dimensions



CERTIFICATION APPLIES ONLY WHEN THE COMPLETE SYSTEM IS LISTED WITH ARI



Coil Match Charts

Models (*)G6RA, RK, RC, RD, RL

Model (*)G6RA

FURNACE MODEL	OUTDOOR UNIT SIZE	RECOMMENDED SPEED TAP	COIL MODEL
(K)G6RA045C08 A-Cab	018	MEDIUM	C3BA024CA
	024	HIGH *	C3BA024CA
			C3BA030CA
			C3BA036CA
(K)G6RA060C12 A-Cab	024	LOW	C3BA024CA
			C3BA030CA
			C3BA036CA
			C3BA036CA
	030	MEDIUM	C3BA030CA
			C3BA036CA
			C3BA036CA
			C3BA036CB
			C3BA036CB
			C3BA042CB
036	HIGH *	C3BA036CB	
		C3BA042CB	
(K)G6RA072C12 A-Cab	024	LOW	C3BA024CA
			C3BA030CA
			C3BA036CA
			C3BA030CB
	030	MEDIUM	C3BA030CA
			C3BA036CA
			C3BA030CB
			C3BA036CA
			C3BA030CB
			C3BA036CB
036	HIGH *	C3BA036CA	
		C3BA036CB	
(K)G6RA072C16 B-Cab	030	LOW	C3BA030CB
	036	LOW OR MED. LOW	C3BA036CB
			C3BA042CB
	042	MED. LOW OR MED. HIGH	C3BA042CB
	048	MED HIGH OR HIGH *	C3BA048CB
C3BA060CC			
(K)G6RA096C12 B-Cab	030	LOW	C3BA030CB
	036	MEDIUM	C3BA036CB
			C3BA042CB
(K)G6RA096C16 B-Cab	030	LOW	C3BA030CB
			C3BA036CB
			C3BA042CB
	036	LOW	C3BA036CB
			C3BA042CB
(K)G6RA096C20 C-Cab	048	MED. LOW	C3BA048CC
			C3BA060CC
	060	MED. HIGH	C3BA060CC
			C3BA060CC
(K)G6RA120C16 B-Cab	042	MED. LOW	C3BA042CB
			C3BA048CB
	048	MED. HIGH	C3BA048CB
(K)G6RA120C20 C-Cab	048	MED. LOW	C3BA048CC
			C3BA060CC
	060	MED. HIGH	C3BA060CC
(K)G6RA144C20 C-Cab	048	MED. LOW	C3BA048CC
			C3BA060CC
	060	HIGH *	C3BA060CC

Model (*)G6RC

FURNACE MODEL	OUTDOOR UNIT SIZE	RECOMMENDED SPEED TAP	COIL MODEL
G6RC040C08 A-Cab	018	MEDIUM	C3BA024CA
	024	HIGH*	C3BA024CA
			C3BA030CA
			C3BA036CA
G6RC040C12 A-Cab	018	LOW	C3BA024CA
			C3BA024CA
			C3BA030CA
			C3BA036CA
	024	LOW	C3BA024CA
			C3BA030CA
			C3BA036CA
			C3BA036CA
			C3BA030CA
			C3BA036CA
030	MEDIUM	C3BA030CA	
		C3BA036CA	
		C3BA030CB	
		C3BA036CA	
036	HIGH *	C3BA036CA	
		C3BA036CB	
		C3BA036CB	
		C3BA042CB	
G6RC060C12 A-Cab	018	LOW	C3BA024CA
	024	LOW	C3BA024CA
			C3BA030CA
			C3BA036CA
030	MEDIUM	C3BA030CA	
		C3BA036CA	
		C3BA030CB	
		C3BA036CA	
		C3BA036CB	
		C3BA036CB	
G6RC080C12 B-Cab	024	MEDIUM	C3BA030CB
	030	MEDIUM	C3BA030CB
			C3BA036CB
			C3BA036CB
036	MED. OR HIGH *	C3BA036CB	
		C3BA042CB	
		C3BA042CB	
G6RC080C16 B-Cab	036	MED. LOW	C3BA036CB
			C3BA042CB
	042	MED. HIGH	C3BA042CB
			C3BA048CB
G6RC100C16 B-Cab	036	LOW	C3BA036CB
			C3BA042CB
	042	MED. LOW	C3BA042CB
			C3BA048CB
G6RC120C16 C-Cab	048	MED. HIGH	C3BA048CB
			C3BA060CC
	042	MED. LOW	C3BA048CC
			C3BA060CC
048	MED. HIGH	C3BA048CC	
		C3BA060CC	

- NOTES:**
1. All recommended blower speeds are based on .5" E.S.P.
 2. C3BA may be replaced with multi-position coils C3BH.
 3. Cased coils are listed, uncased coils have equivalent matches.

* Factory wired cooling speed tap
 ** Coil exceeds width of furnace
 Use coil case adapter #913317
 *** Coil exceeds width of furnace
 Use coil case adapter #913318

Model (*)G6RD

FURNACE MODEL	OUTDOOR UNIT SIZE	RECOMMENDED SPEED TAP	COIL MODEL		
G6RD040C10 A-Cab	018	LOW	C3BA024CA		
		MEDIUM	C3BA024CA C3BA030CA C3BA036CA		
		HIGH*	C3BA030CA C3BA036CA C3BA036CA C3BA030CB ** C3BA036CB **		
	G6RD060C10 A-Cab	018	LOW	C3BA024CA	
			MEDIUM	C3BA024CA C3BA030CA C3BA036CA	
			HIGH*	C3BA030CA C3BA036CA C3BA030CB ** C3BA036CB **	
G6RD080C14 B-Cab		030	LOW	C3BA030CB	
			MED. LOW	C3BA036CB C3BA042CB	
			MED. HIGH	C3BA042CB C3BA048CB	
	048	HIGH*	C3BA048CB C3BA060CC ***		
		G6RD100C14 B-Cab	036	MED. LOW	C3BA036CB C3BA042CB
				HIGH	C3BA042CB C3BA048CB
048	HIGH*		C3BA048CB C3BA060CC ***		
G6RD120C14 C-Cab	030	LOW	C3BA030CB		
		MED. LOW	C3BA036CB C3BA042CB		
		MED. HIGH	C3BA042CB C3BA048CB C3BA048CC		
	048	HIGH*	C3BA048CC C3BA060CC ***		
		G6RD120C19 C-Cab	042	LOW	C3BA048CC
				MED. LOW	C3BA048CC C3BA060CC
060	HIGH*		C3BA060CC		

Model (*)G6RK

FURNACE MODEL	OUTDOOR UNIT SIZE	RECOMMENDED SPEED TAP	COIL MODEL		
G6RK060C12 A-Cab	024	LOW	C3BA024CA C3BA030CA C3BA036CA		
		MEDIUM	C3BA030CA C3BA036CA		
		MED. OR HIGH*	C3BA036CA		
	G6RK072C12 A-Cab	024	LOW	C3BA024CA C3BA030CA C3BA036CA	
			MEDIUM	C3BA030CA C3BA036CA	
			MED. OR HIGH *	C3BA036CA	
G6RK072C16 B-Cab		030	LOW OR MED. LOW	C3BA030CB	
			MED. LOW	C3BA036CB C3BA042CB	
			MED. HIGH	C3BA048CB	
	048	HIGH *	C3BA048CB		
		G6RK096C12 B-Cab	030	MEDIUM	C3BA030CB C3BA036CB
				MEDIUM	C3BA036CB C3BA042CB
042	HIGH*		C3BA042CB C3BA048CB		
G6RK096C16 B-Cab	036	MED. LOW	C3BA036CB C3BA042CB		
		MED. LOW	C3BA042CB C3BA048CB		
		MED. HIGH	C3BA048CB		
	G6RK120C20 B-Cab	042	LOW	C3BA048CB	
			MED. LOW	C3BA048CB	
		048	MED. LOW	C3BA048CB	

Model (*)G6RL

FURNACE MODEL	OUTDOOR UNIT SIZE	RECOMMENDED SPEED TAP	COIL MODEL
G6RL040C12 A-Cab	024	LOW	C3BA024CA C3BA030CA C3BA036CA
		MEDIUM	C3BA030CA C3BA036CA
	030	MED. OR HIGH *	C3BA036CA
		G6RL060C12 A-Cab	024
MEDIUM	C3BA030CA C3BA036CA		
030	MED. OR HIGH *		C3BA036CA
	G6RL080C16 B-Cab		036
MED. HIGH		C3BA042CB C3BA048CB	
048		HIGH*	C3BA048CB
		G6RL100C16 B-Cab	036
MED. HIGH	C3BA042CB C3BA048CB		
048	MED. HIGH OR HIGH*		C3BA048CB

- NOTES:**
1. All recommended blower speeds are based on .5" E.S.P.
 2. C3BA may be replaced with multi-position coils C3BH.
 3. Cased coils are listed, uncased coils have equivalent matches.

* Factory wired cooling speed tap

** Coil exceeds width of furnace
Use coil case adapter #913317

*** Coil exceeds width of furnace
Use coil case adapter #913318

448A-0300 (Replaces 448A-0999)