
TECHNICAL SPECIFICATIONS

G6T(C,L) Series

High Efficiency / Direct Vent or Non Direct Vent 2-Stage Condensing Gas Furnace with Variable Speed Blower

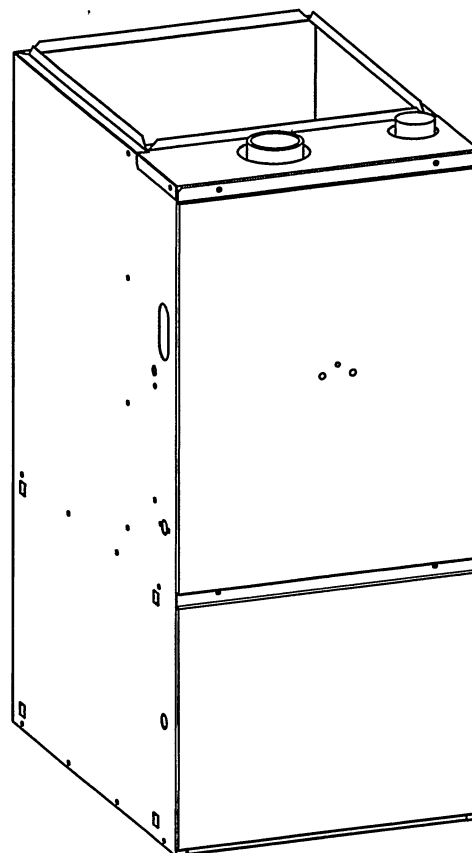
92+ Upflow/Horizontal
90+ Downflow

The high efficiency 2-Stage gas furnace may be installed free standing in a utility room, basement, or enclosed in an alcove or closet. With a kit, the upflow model converts easily to horizontal application. The extended flush jacket provides a pleasing "appliance appearance." Design certified by the American Gas Association (AGA) Laboratories and the Canadian Gas Association (CGA) Laboratories. The product is truly designed with the contractor and the consumer in mind.

Features and Benefits

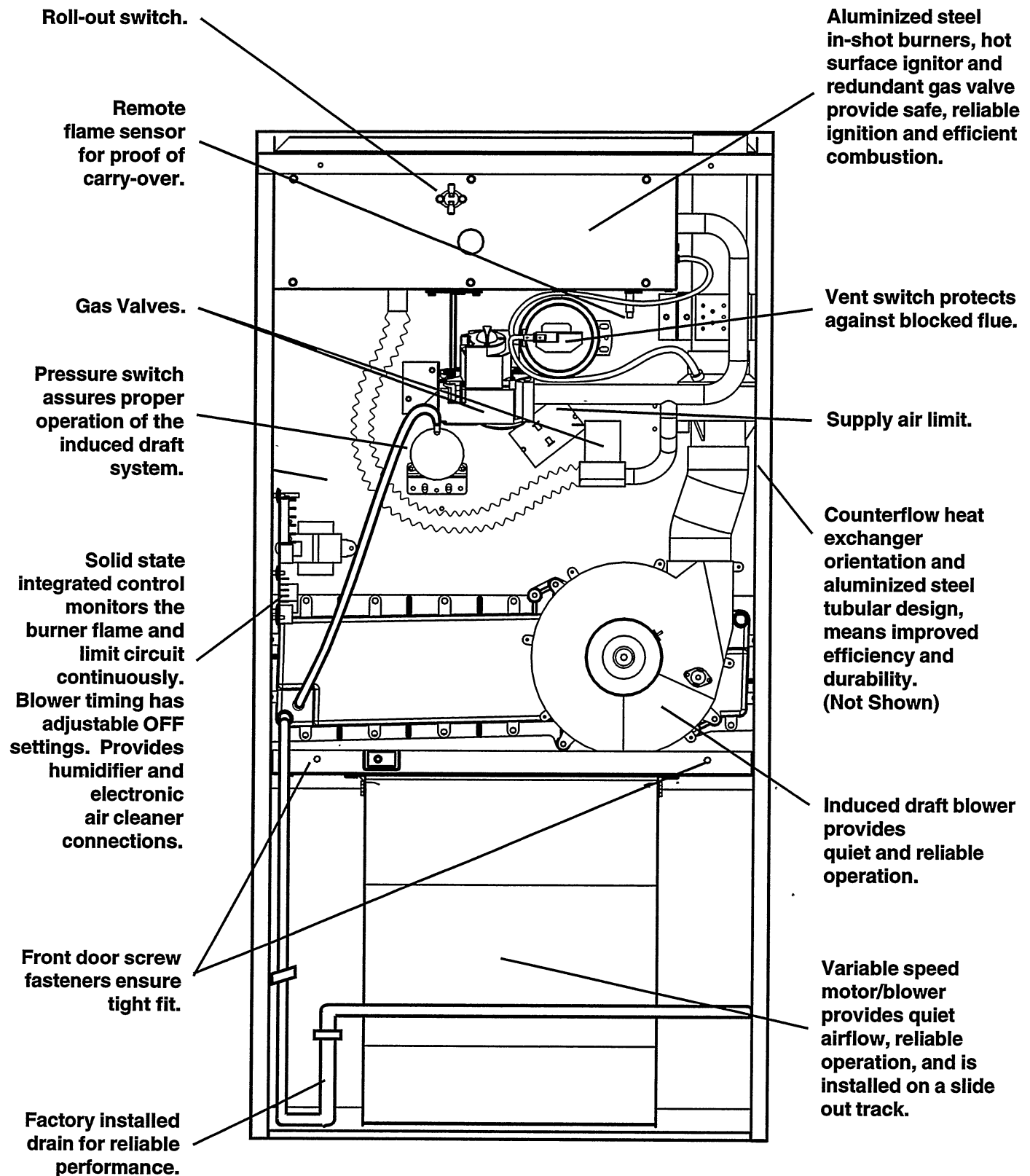
- **Best warranty in the business** –
 - A lifetime warranty on the heat exchanger
 - 6-year limited warranty on all parts
- **100% fired and tested** – All units and each component (both mechanical and electrical) are tested on the manufacturing line.
- **Best packaging in the industry** – Unique design assures product will arrive to the homeowner dent free.
- **Clean, quiet, and efficient operation** – Due to the unique design of in-shot burners, location of inducer, use of insulation, and operating at low fire using less fuel than single capacity furnaces.
- **Fixed 30 second blower delay** at burner start-up assures a warm duct temperature at furnace start-up.
- **Fixed 30-second inducer post purge** increases life of heat exchanger.
- **Dependable, hot surface ignitor** – Innovative application of an appliance type ignitor with a 20-year history of reliability, assures no call-backs because of handling.
- **Color coded wire harness** – Designed to fit the components, all with quick-connect fittings for ease of service and replacement.
- **Reliable heat exchanger** – Aluminized primary and stainless steel secondary heat exchanger assures long life.
- **90-second fixed cooling cycle blower-off delay (TDR)** increases cooling performance when matched with a NORDYNE coil.
- **Approved for direct vent and non direct vent furnace, category IV venting system** – May be vertically or horizontally vented using either a one-pipe or two-pipe system for maximum flexibility in installation.
- **Variable speed blower** included to maximize air conditioner and heat pump efficiencies. On selected units, SEER ratings up to 14 and HSPF ratings up to 8.5 are ARI listed.
- **LP convertible** – Simple burner orifice and regulator spring change for ease of convertibility.
- **Factory installed drain system** – for reliable performance.
- **Diagnostic light flashes identify limit failure, pressure switch failure and improper ground and polarization** – for easy troubleshooting.
- **Incorporates integrated control board** with connections for electronic air cleaner, humidifier and twinning.
- **Two piece door design** enhances furnace appearance and uses screw fasteners for great fit and accessibility.
- **3 amp fuse** protection against low voltage shorts; protects transformer and control board.
- **Low voltage terminal board** for easy field wiring.

Upflow/
Horizontal
Gas
Furnace
Shown



FEATURES

High Efficiency Upflow 92+ Gas Furnace



FEATURES

High Efficiency Downflow 90+ Gas Furnace

Solid state integrated control monitors the burner flame and limit circuit continuously. Blower timing has adjustable OFF settings. Provides humidifier and electronic air cleaner connections.

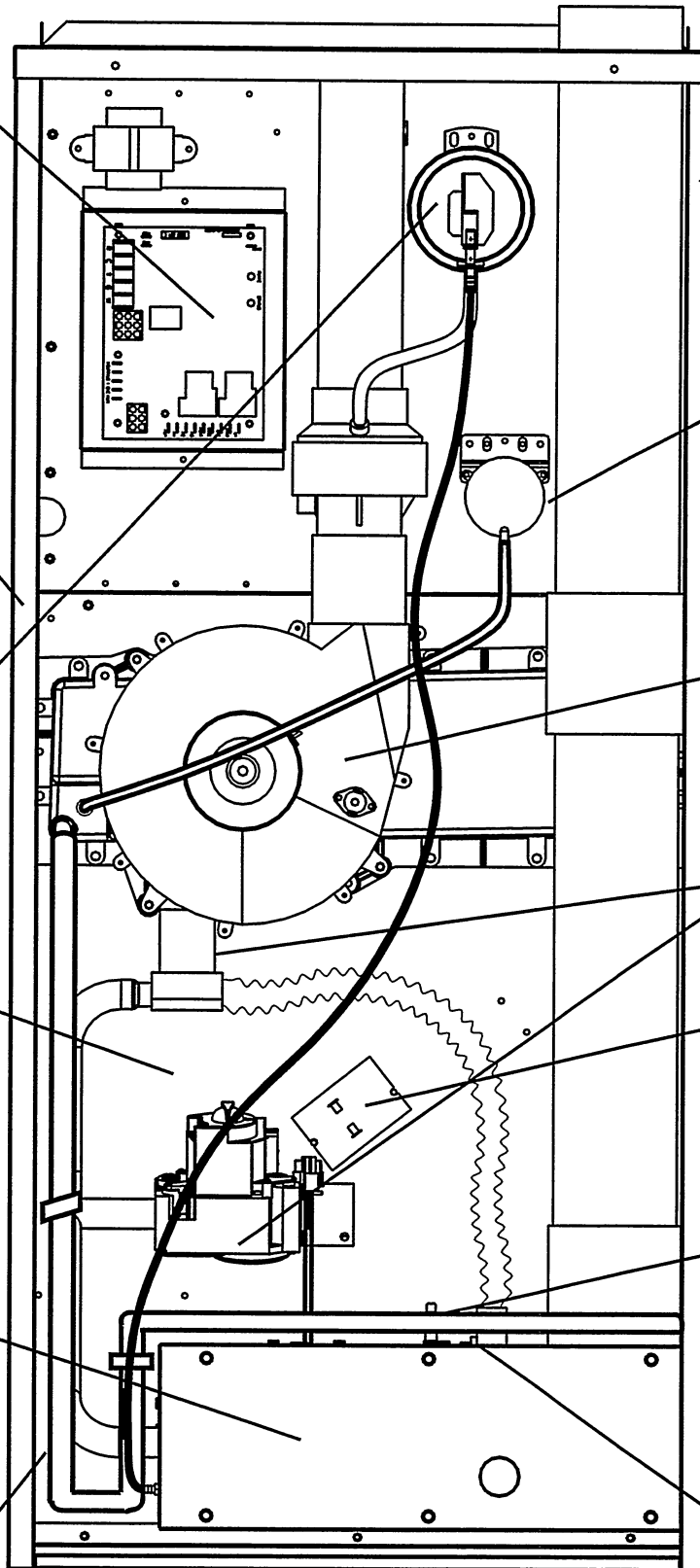
Electrical 2 x 4 junction box can be moved outside of cabinet for disconnect.

Vent switch protects against blocked flue.

Counterflow heat exchanger orientation and aluminized steel tubular design, means improved efficiency and durability.

Aluminized steel in-shot burners, hot surface ignitor and redundant gas valve provide safe, reliable ignition and efficient combustion.

Factory installed drain for reliable performance.



Multi-speed PSC motor/blower provides quiet airflow, reliable operation, and is installed on a slide-out track.

Pressure switch assures proper operation of the induced draft system.

Induced draft blower provides quiet and reliable operation.

Gas Valves.

Supply air limit.

Remote flame sensor for proof of flame carry-over. (Not Shown)

Roll-out switch.

STANDARD EQUIPMENT

Direct vent; draft inducer; pressure switch; redundant main gas control; hot-surface ignition; timed ON/OFF blower controls (TDR); 40VA transformer for air conditioner application; limit controls; direct drive motor; all models can be converted to use L.P. (propane) gas. Factory approved kits *only* must be used and are available as an optional accessory from your NORDYNE distributor.

SPECIFICATIONS

| MODEL NUMBER G6TC- | 092C-VB | 110C-VC |
|--|----------------|----------------|
| High Fire Rated Input(Btu/h) (a) | 92,000 | 110,000 |
| High Fire Heating Capacity(Btu/h) | 85,000 | 101,000 |
| Low Fire Rated Input(Btu/h) (a) | 55,000 | 74,000 |
| Low Fire Heating Capacity(Btu/h) | 50,000 | 67,000 |
| AFUE | 92+ | 92+ |
| Maximum Heating Ext. St. Press.(in WC) | 0.5 | 0.5 |
| Blower Wheel D x W | 11 x 10 | 11 x 10 |
| Motor H.P. -Type | 3/4 - Variable | 3/4 - Variable |
| Motor FLA | 9.6 | 9.6 |
| High Fire Temperature Rise Range(F) | 45 - 75 | 45 - 75 |
| Low Fire Temperature Rise Range(F) | 40 - 70 | 40 - 70 |

| MODEL NUMBER G6TL- | 092C-VB |
|--|----------------|
| High Fire Rated Input(Btu/h) (a) | 92,000 |
| High Fire Heating Capacity(Btu/h) | 85,000 |
| Low Fire Rated Input(Btu/h) (a) | 55,000 |
| Low Fire Heating Capacity(Btu/h) | 50,000 |
| AFUE | 90+ |
| Maximum Heating Ext. St. Press.(in WC) | 0.5 |
| Blower Wheel D x W | 11 x 10 |
| Motor H.P. -Type | 3/4 - Variable |
| Motor FLA | 9.6 |
| High Fire Temperature Rise Range(F) | 45 - 75 |
| Low Fire Temperature Rise Range(F) | 40 - 70 |

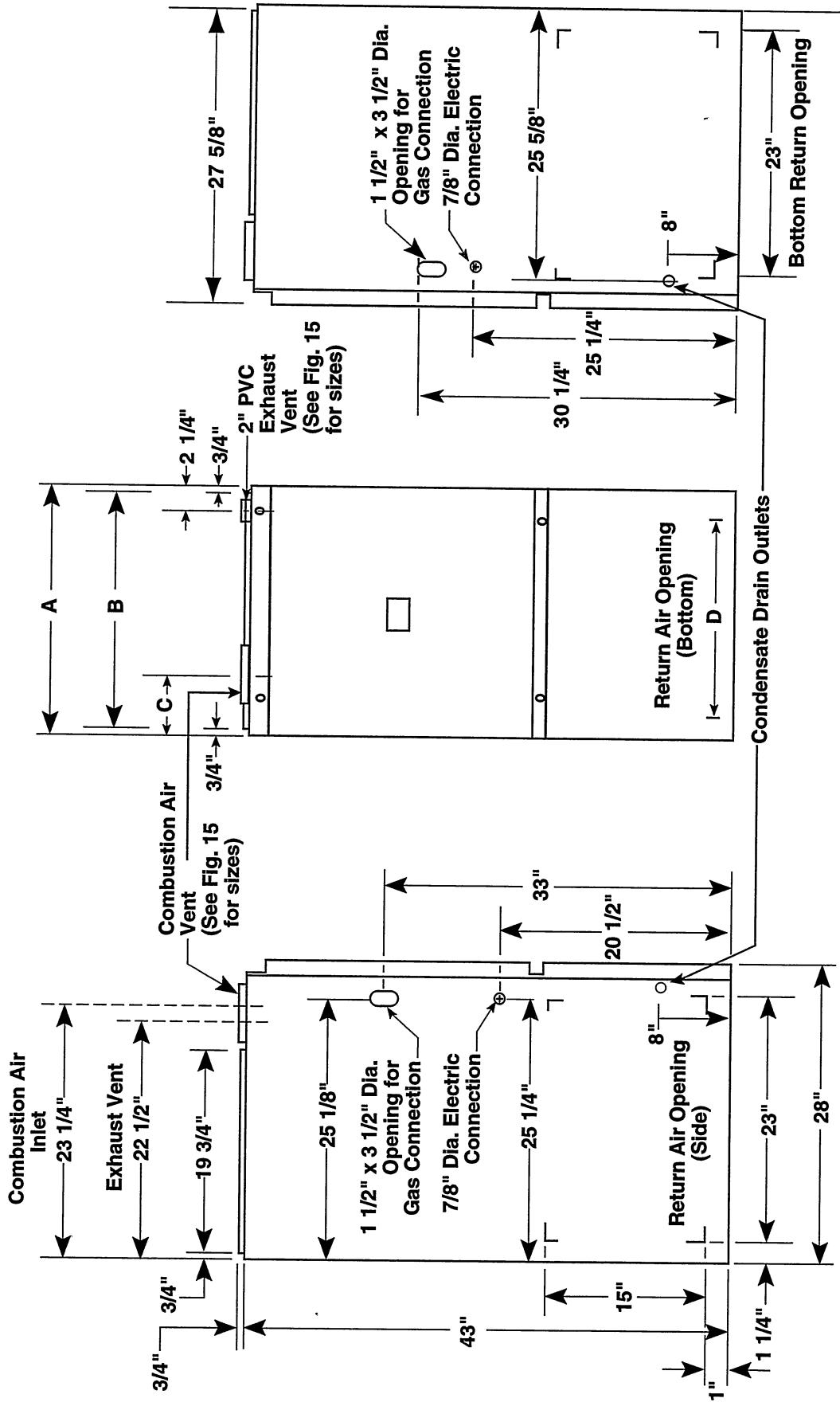
Note: All models are 115V, 60 Hz. Gas Connections are 1/2" N.P.T. AFUE = Annual Fuel Utilization Efficiency.

(a) Ratings to 2,000 feet. Over 2,000 feet, reduce 4% for each 1,000 ft. above sea level.

DIMENSIONS

Upflow/Horizontal Furnace

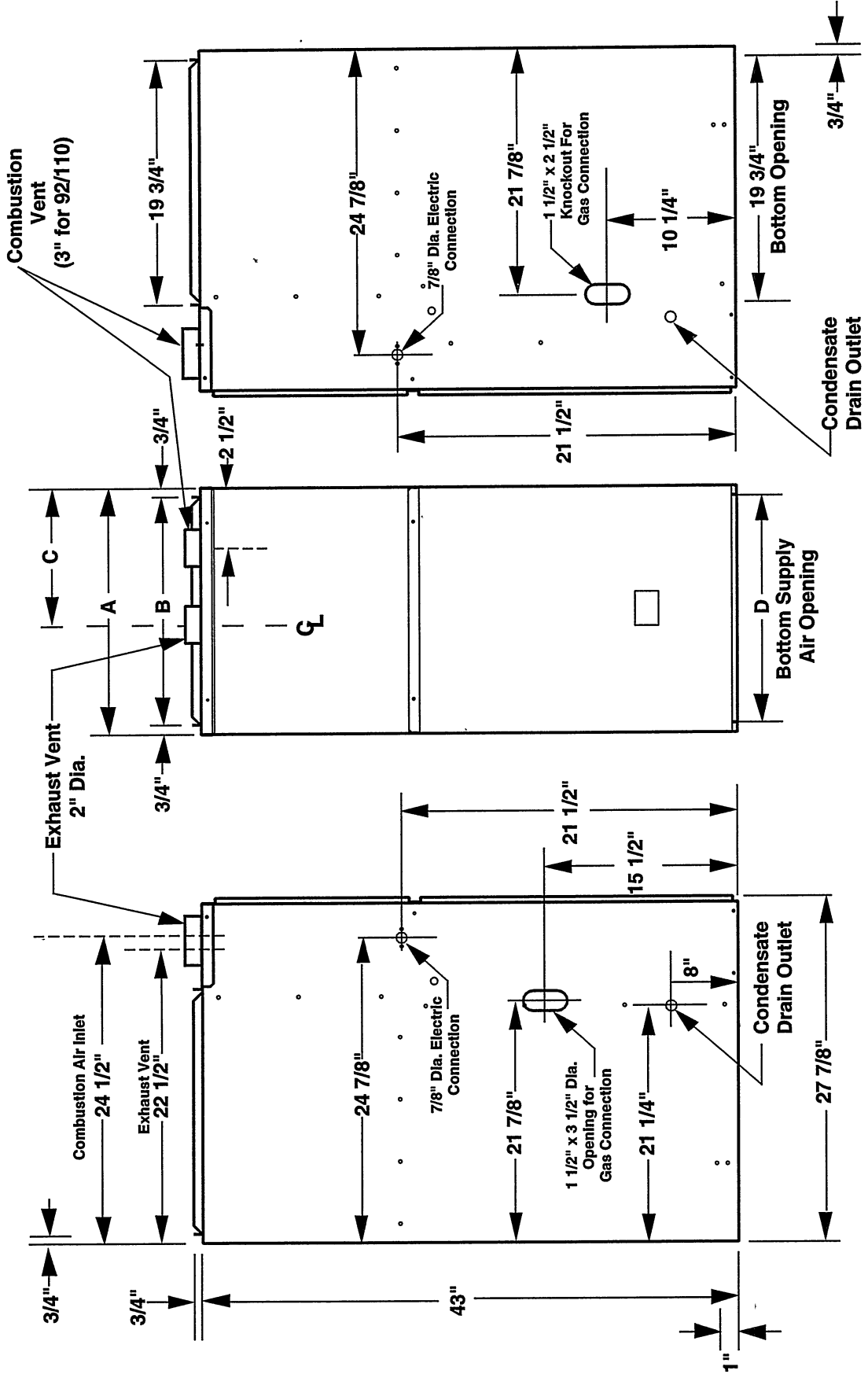
| Model Number G6TC- | High Fire Furnace Btuh | Low Fire Furnace Input | Dimensions (Inches) | | | | Shipping Weight (lbs) |
|-----------------------|---------------------------|---------------------------|---------------------|--------|-------|--------|--------------------------|
| | | | A | B | C | D | |
| 092 | 92,000 | 55,000 | 19 3/4 | 18 1/4 | 7 7/8 | 17 1/4 | 200 |
| 110 | 110,000 | 74,000 | 22 1/2 | 21 | 9 1/4 | 20 | 225 |



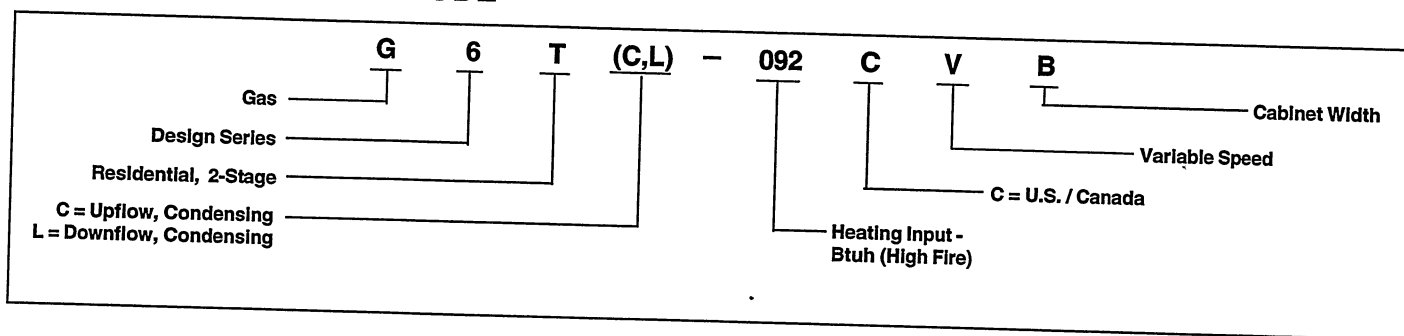
DIMENSIONS Continued

Downflow Furnace

| Model Number G6TL- | High Fire Furnace Btuh | Low Fire Furnace Input | Dimensions (inches) | | | | Shipping Weight (lbs) |
|-----------------------|---------------------------|---------------------------|---------------------|--------|-------|--------|--------------------------|
| | | | A | B | C | D | |
| 092 | 92,000 | 55,000 | 19 3/4 | 18 1/4 | 7 7/8 | 17 1/4 | 215 |



MODEL IDENTIFICATION CODE



VENTING

All models are approved for vertical non direct (1 pipe) and direct (2 pipe) venting applications. See Vent Table below for specified sizes and allowable lengths.

VENT TABLE

| APPLICATION | SINGLE PIPE LENGTH (ft.) with 1 long radius elbow** | DIRECT VENT, DUAL PIPE LENGTH (ft.) with 1 long radius elbow on each pipe.** | |
|---------------------------------------|--|--|----|
| | | Inlet/Outlet | |
| PVC, CPVC or ABS SCH. 40 Pipe Size | Outlet | | |
| | 3" | 3" | 3" |
| Models G6T(C,L) 092 & 110 | 100 | 65 | 65 |

** NOTES

- 3.5' for each additional 3" **long** radius elbow, and 7' for each additional 3" **short** radius elbow.
- Two 45 degree elbows are equivalent to one 90 degree elbow.
- Do not include termination elbows in calculation of vent length.
- This table is applicable for elevations from sea level to 2000 ft. For higher elevations decrease vent pipe lengths by 8% per 1000 ft. of altitude.
- Only the above pipe materials are approved for use with these condensing furnaces.

ACCESSORIES

| Kit | Order Number |
|--|--|
| U.S. LP Conversion Kit (0 to 10,000 ft.) | 903848 |
| Canadian LP Gas Conversion Kit (0 to 4,500 ft.) | 903849 |
| Fossil Fuel Kit | 914762 |
| Side Return Filter Kit | 541036 |
| Bottom Return Filter (20/Box) | B Cabinet: 903089 C Cabinet: 903090 |
| Internal Side Return Filter Wire | 903152 |
| Horizontal Installation Kit | 903568 |
| Downflow "B" Combustion Floor Base | 902677 |
| High Altitude Pressure Switch Kit (5,000 ft. to 10,000 ft. above sea level) | 903852 |

VENT KITS

| Kit Description | 3" PVC |
|--|--------|
| Horizontal Exterior Vent Mounting Kit | 902375 |
| Concentric Vent Kit | 903578 |
| Neutralizer Kit (all models) | 902377 |

CAPACITIES – Furnace Airflow Data

| CFM | Switch Number | | | | | | | Nomial A/C H/P Capacity |
|------|---------------|---|---|---|---|---|---|-------------------------|
| | 1 | 2 | 3 | 4 | 5 | 6 | 7 | |
| 720 | 0 | 0 | 0 | 1 | | | | 2 TON |
| 800 | 0 | 0 | 0 | 0 | | | | |
| 880 | 0 | 0 | 1 | 0 | | | | 2.5 TON |
| 990 | 1 | 0 | 0 | 1 | | | | |
| 1100 | 1 | 0 | 0 | 0 | | | | 3 TON |
| 1210 | 1 | 0 | 1 | 0 | | | | |
| 1305 | 0 | 1 | 0 | 1 | | | | 3.5 TON |
| 1450 | 0 | 1 | 0 | 0 | | | | |
| 1530 | 1 | 1 | 0 | 1 | | | | 4 TON |
| 1595 | 0 | 1 | 1 | 0 | | | | |
| 1700 | 1 | 1 | 0 | 0 | | | | 5 TON |
| 1870 | 1 | 1 | 1 | 0 | | | | |

| Nominal Airflow (CFM) and Temperature Rises (degree F) | | | | | | | | | | |
|--|---|---|--------------------------|-----------|---------------------------|-----------|--------------------------|-----------|----------------------------|-----------|
| Switches | | | G6T(C,L)-092C-VB Models | | | | G6T(C,L)-110C-VC Models | | | |
| | | | Low Fire Input 55,000 | | High Fire Input 92,000 | | Low Fire Input 74,000 | | High Fire Input 110,000 | |
| 5 | 6 | 7 | | | | | | | | |
| 0 | 0 | # | 660 | 62 | 1090 | 67 | 660 | | 1090 | 86 |
| 1 | 0 | # | 750 | 55 | 1240 | 60 | 750 | 85 | 1240 | 76 |
| 0 | 1 | # | 1220 | 36 | 1680 | 47 | 1220 | 55 | 1680 | 60 |
| 1 | 1 | # | 1300 | 33 | 1880 | 45 | 1300 | 52 | 1880 | 55 |

Switch 7 is not used with these models. Can be 0 or 1.

Notes:

1. Recommended blower speed settings are highlighted in bold.
2. Airflow rates of 1800 CFM or more require two return air connections. Data is for operation with filter(s).
3. Temperature rises in the table are approximate. Actual temperature rises may vary.
4. Temperature rises that are shaded grey are for reference only. These conditions are not recommended.

GENERAL TERMS OF LIMITED WARRANTY**

NORDYNE will furnish a replacement for any part of this product which fails in normal use and service within the first six years of installation, in accordance with the terms of the warranty.

G6T(C,L) Models Warranty:
 Gas Heat Exchanger Lifetime Limited Warranty*
 Any Other Part..... 6 Year Limited Warranty

* For original owner only - not transferable

** For complete details of the Limited Warranty, including applicable terms and conditions, see your local installer or contact the factory for a copy.



Through Technician Certification by NATE

EPA POLLUTION PREVENTER
 As an Energy Star Partner, NORDYNE has determined that this product meets the Energy Star guidelines for energy efficiency.

026B-0700 (Replaces 026B-0600)

St. Louis, MO

NORDYNE

Before purchasing this appliance, read important energy cost and efficiency information available from your retailer. Specifications and illustrations subject to change without notice and without incurring obligations. Printed in U.S.A. (07/00)