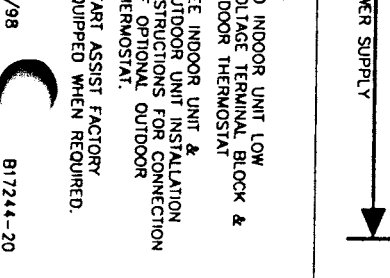
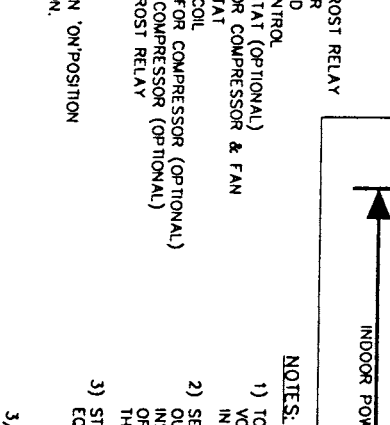
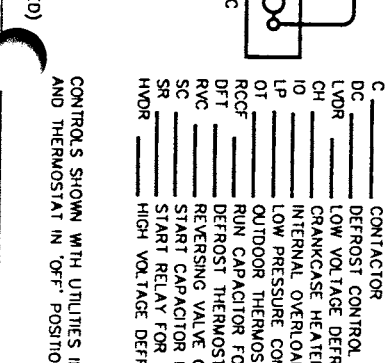
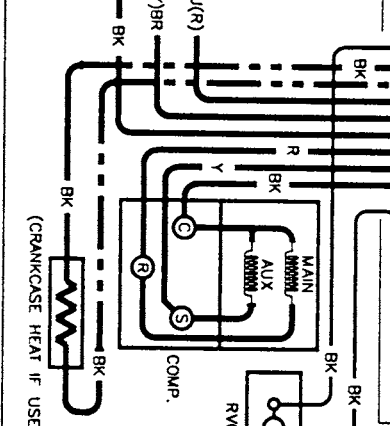
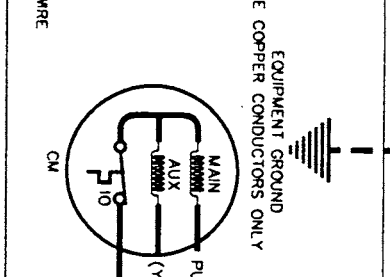


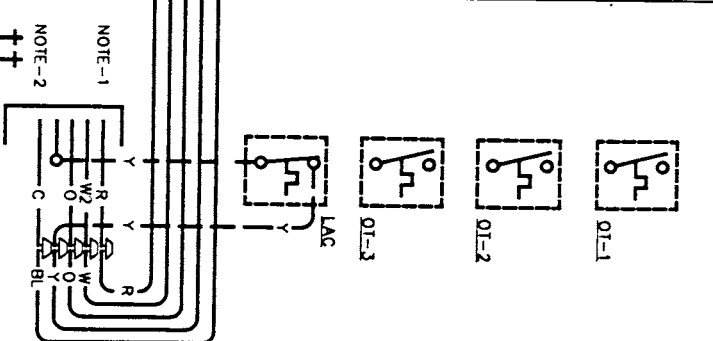
COLOR CODE

BK	BLACK
R	RED
Y	YELLOW
BL	BLUE
PU	PURPLE
Ltbl	LIGHT BLUE
BR	BROWN
G	GREEN
O	ORANGE
W	WHITE

USE COPPER CONDUCTORS ONLY



USE N.E.C. CLASS 2 WIRE

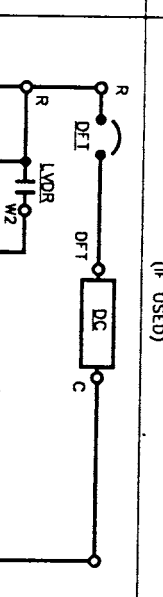
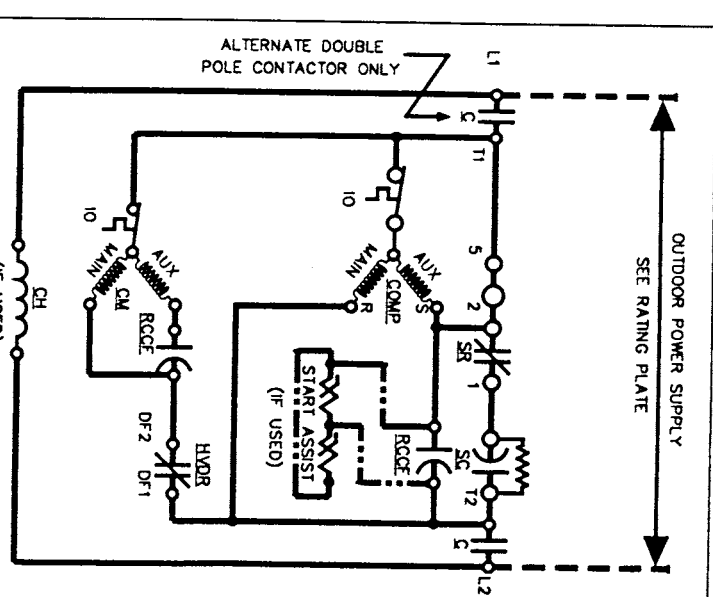


WIRING CODE

CONTROL BOX

NOTE -1

NOTE -2



FACTORY WIRING

HIGH VOLTAGE ——— HIGH VOLTAGE

LOW VOLTAGE - - - - LOW VOLTAGE

OPTIONAL HIGH VOLTAGE - - - -

OPTIONAL START ASSIST - - - -

COMPONENT CODE

CM ——— OUTDOOR FAN MOTOR

COMP ——— COMPRESSOR

C ——— CONTACTOR

DC ——— DEFROST CONTROL

LVDR ——— LOW VOLTAGE DEFROST RELAY

CH ——— CRANKCASE HEATER

IO ——— INTERNAL OVERLOAD

LP ——— LOW PRESSURE CONTROL

OT ——— OUTDOOR THERMOSTAT (OPTIONAL)

RCCF ——— RUN CAPACITOR FOR COMPRESSOR & FAN

DFT ——— DEFROST THERMOSTAT

RVC ——— REVERSING VALVE COIL

SR ——— START CAPACITOR FOR COMPRESSOR (OPTIONAL)

SC ——— START RELAY FOR COMPRESSOR (OPTIONAL)

HDR ——— HIGH VOLTAGE DEFROST RELAY

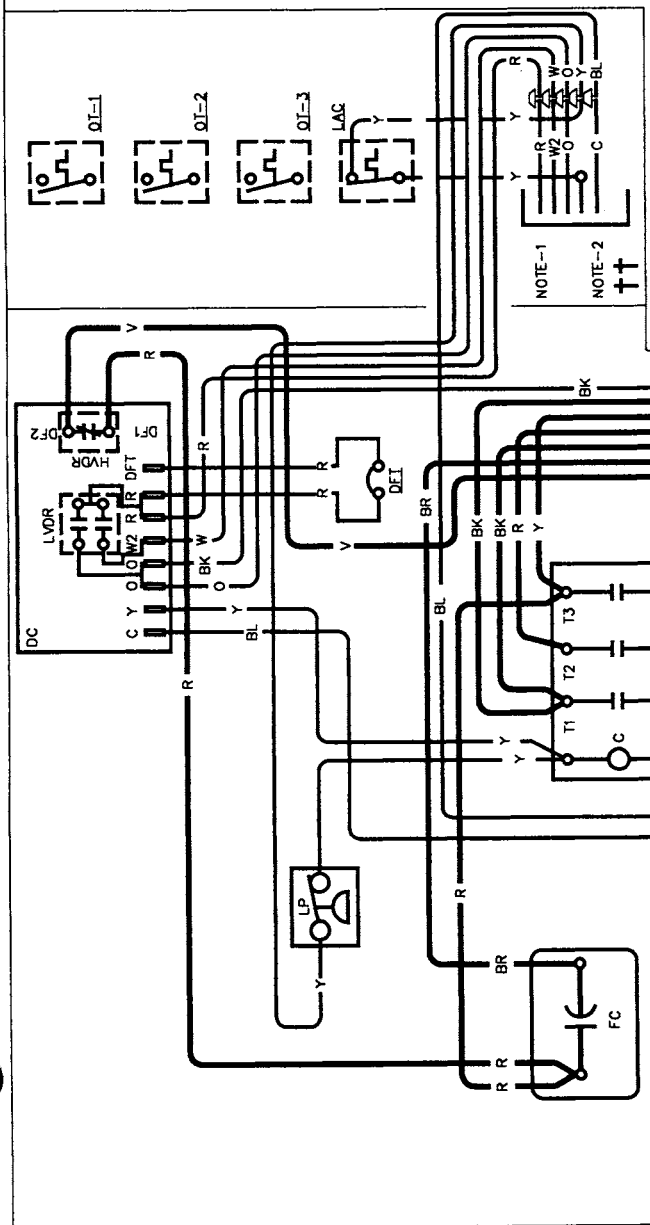
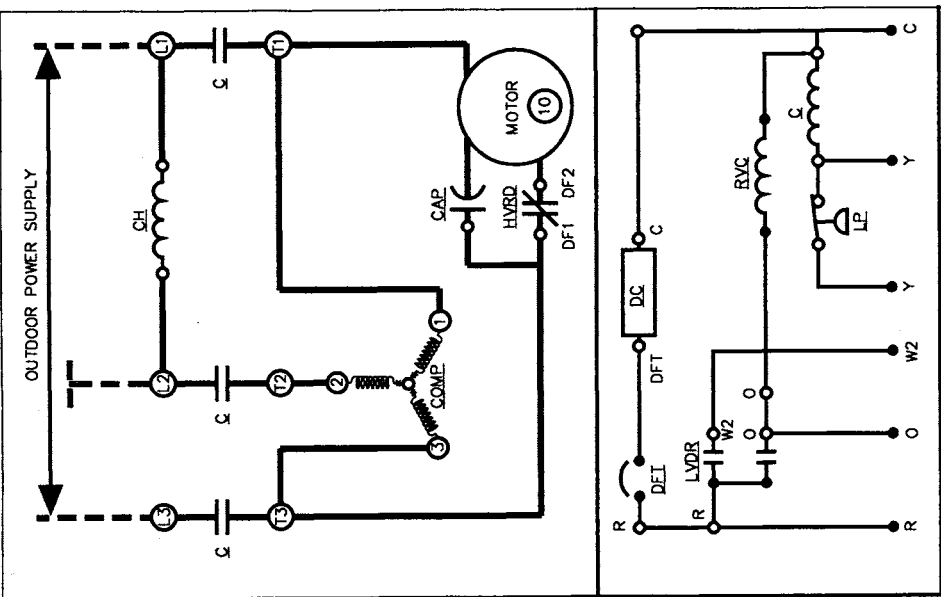
CONTROLS SHOWN WITH UTILITIES IN 'ON' POSITION AND THERMOSTAT IN 'OFF' POSITION.

NOTES:

1) TO INDOOR UNIT LOW VOLTAGE TERMINAL BLOCK & INDOOR THERMOSTAT

2) SEE INDOOR UNIT & OUTDOOR UNIT INSTALLATION INSTRUCTIONS FOR CONNECTION OF OPTIONAL OUTDOOR THERMOSTAT.

3) START ASSIST FACTORY EQUIPPED WHEN REQUIRED.



- COLOR CODE**
- BK — BLACK
 - R — RED
 - Y — YELLOW
 - BL — BLUE
 - V — VIOLET
 - L'BL — LIGHT BLUE
 - BR — BROWN
 - G — GREEN
 - O — ORANGE
 - W — WHITE
- †† USE N.E.C. CLASS 2 WIRE

COMPONENT CODE

- CM — OUTDOOR FAN MOTOR
- COMP — COMPRESSOR
- C — CONTACTOR
- DC — DEFROST CONTROL
- LDVR — LOW VOLTAGE DEFROST RELAY
- CH — CRANKCASE HEATER
- IO — INTERNAL OVERLOAD
- LP — LOW PRESSURE CONTROL
- HP — HIGH PRESSURE CONTROL
- OT — OUTDOOR THERMOSTAT (OPTIONAL)
- FC — FAN CAPACITOR
- DFT — DEFROST THERMOSTAT
- RVC — REVERSING VALVE COIL
- HVDR — HIGH VOLTAGE DEFROST RELAY

CONTROLS SHOWN WITH UTILITIES IN 'ON' POSITION AND THERMOSTAT IN 'OFF' POSITION.

NOTES:

- 1) TO INDOOR UNIT LOW VOLTAGE TERMINAL BLOCK & INDOOR THERMOSTAT.
- 2) SEE INDOOR UNIT & OUTDOOR UNIT INSTALLATION INSTRUCTIONS FOR CONNECTION OF OPTIONAL OUTDOOR THERMOSTAT.

WIRING CODE

	FACTORY WIRING	FIELD WIRING
HIGH VOLTAGE	---	---
LOW VOLTAGE	---	---
WIRE NUT	---	---
LINE SPLICE	---	---
WIRE CAP	---	---

١

٢

٣