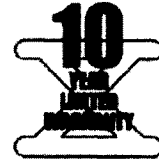


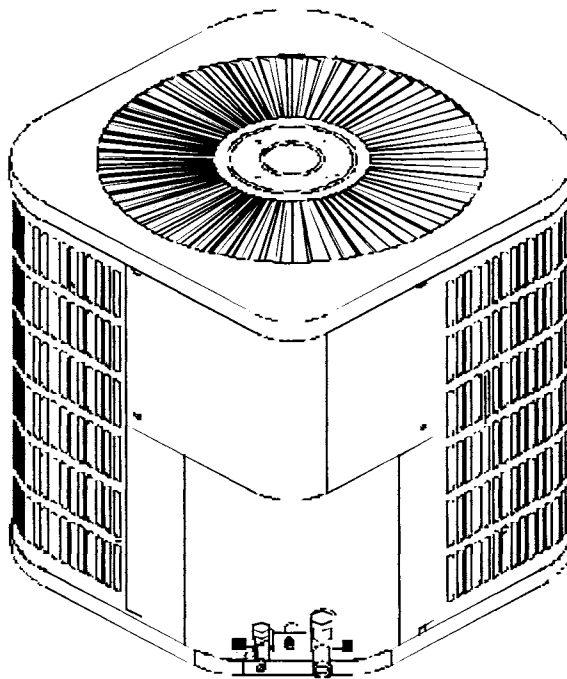


REPAIR PARTS

CLJ Remote 12 SEER Condensing Units



- CLJ18-1
- CLJ18-1A
- CLJ24-1
- CLJ24-1A
- CLJ30-1
- CLJ30-1A
- CLJ36-1
- CLJ36-1A
- CLJ42-1
- CLJ42-1A
- CLJ42-1B
- CLJ48-1
- CLJ48-1A
- CLJ60-1
- CLJ64-1



This manual is to be used by qualified technicians only.

Made in the USA by:
Goodman Manufacturing Company, L.P.
2550 North Loop West, Suite 400
Houston Texas 77092

RP - 279F
June 2004

This manual replaces RP279E.
Copyright ©2004 Goodman Manufacturing Company, L.P.

Important Information

Goodman Manufacturing Company, L.P is not responsible for personal injury or property damage resulting from improper service. Review all service information before beginning repairs.

Warranty service must be performed by an authorized technician, using authorized factory parts. If service is required after the warranty expires, Goodman Manufacturing Company, L.P also recommends contacting an authorized technician and using authorized factory parts.

For assistance within the U.S.A. contact:

Consumer Affairs Department
Goodman Manufacturing Company, L.P
7401 Security Way
Houston, Texas 77040
877-254-4729-Telephone
713-863-2382-Facsimile

For assistance outside the U.S.A. contact:

International Division
Goodman Manufacturing Company, L.P
7401 Security Way
Houston, Texas 77040
713-861-2500-Telephone
713-863-2382-Facsimile

Index

Functional Parts List	4 - 5
Illustration and Parts	6 - 9

Views shown are for parts illustrations only, not servicing procedures.

Revision C adds model CLJ64-1.

Revision D: Updates Crated Service Coil part numbers. Adds new models CLJ18-1A, CLJ24-1A, CLJ30-1A, and CLJ42-1B.

Revision E: Updates compressor part numbers.

Revision F: Updates compressor part number CR32K6PFV920 to CR34K6PFV920.

Text Codes:

AR - As Required

NA - Not Available

NS - Not Shown

00000000 - See Note

QTY - Quantity Example (QTY 3) (If Quantity not shown, Quantity = 1)

M - Model Example (M1) (If M Code not shown, then part is used on all Models)

Expanded Model Nomenclature:

Example

M1 - Model#1

M2 - Model#2

M3 - Model#3

Functional Parts

Part

No: Description:

B94576000	CAPACITOR DUAL SECTION, 25 MFD, 5 MFD, 370 VAC (M1, M2)
B94578700	CAPACITOR DUAL SECTION, 30 MFD, 5 MFD, 370 VAC (M3, M4)
B94575300	CAPACITOR DUAL SECTION, 35 MFD, 5 MFD, 370 VAC (M5, M6, M8)
B94575400	CAPACITOR DUAL SECTION, 35 MFD, 5 MFD, 440 VAC (M7)
B94575500	CAPACITOR DUAL SECTION, 40 MFD, 5 MFD, 370 VAC (M9)
B94577200	CAPACITOR DUAL SECTION, 45 MFD, 5 MFD, 370 VAC (M10, M12)
B94577400	CAPACITOR DUAL SECTION, 50 MFD, 5 MFD, 370 VAC (M11)
B94577500	CAPACITOR DUAL SECTION, 60 MFD, 5 MFD, 370 VAC (M13)
B94577700	CAPACITOR DUAL SECTION, 70 MFD, 5 MFD, 370 VAC (M15)
	If ordering ZR61KCPFV950 Compressor, must use B94577700 Capacitor.
B94577600	CAPACITOR DUAL SECTION, 80 MFD, 5 MFD, 370 VAC (M14)
CR16K6PFV920	COMPRESSOR, CR16K6-PFV-220 (M2)
CR18K6PFV920	COMPRESSOR, CR18K6-PFV-220 (M4)
CR24K7PFV930	COMPRESSOR, CR24K7-PFV-230 (M6)
CR30K6PFV920	COMPRESSOR, CR30K6-PFV-233 (M8)
	Old Part # B9266373
CR34K6PFV920	COMPRESSOR, CR34K6-PFV-233 (M7, M11)
	Old Part # B9266370
CR35K6PFV920	COMPRESSOR, CR35K6-PFV-233 (M9)
	Old Part # B9266351
B9266837AS	COMPRESSOR, H25B14UABCA (M1)
B9266840AS	COMPRESSOR, H29A423CBCA (M12)
B9266844AS	COMPRESSOR, H29B20UABCA (M3)
B9266833AS	COMPRESSOR, H29B24UABCA (M5)
B9266831AS	COMPRESSOR, H29B35UABCA (M10)
ZR42K3PFV930	COMPRESSOR, ZR42K3-PFV-230 (M13)
	Old Part # B9266352
ZR54K3PFV930	COMPRESSOR, ZR54K3-PFV-230 (M14)
	Old Part # B9266349
ZR61KCPFV950	COMPRESSOR, ZR61KC-PFV-250 (M15)
	Old Part # B9266393 Note: If ordering ZR61KCPFV950 Compressor, must use B94577700 Capacitor.
12621-03	CRATED COND. SERVICE COIL W/ FILTER DRIER (M1, M2)
12621-05	CRATED COND. SERVICE COIL W/ FILTER DRIER (M3, M4)
12621-12	CRATED COND. SERVICE COIL W/ FILTER DRIER (M14)
12621-07	CRATED COND. SERVICE COIL W/ FILTER DRIER (M5, M6)
12621-16	CRATED COND. SERVICE COIL W/ FILTER DRIER (M15)
12621-09	CRATED COND. SERVICE COIL W/ FILTER DRIER (M7, M8)
12621-10	CRATED COND. SERVICE COIL W/ FILTER DRIER (M9, M10, M11, M12, M13)
B13400247	FAN MOTOR 208/230-60V-1, 1 SPEED, 1075 RPM, 1/4 HP (M12, M13, M14)
B13400252	FAN MOTOR 208/230-60V-1, 1 SPEED, 1075 RPM, 1/6 HP (M1, M2, M4)
B13400270	FAN MOTOR 208/230-60V-1, 1 SPEED, 830 RPM, 1/4 HP CCW (M8, M9, M10, M11)
B13400271	FAN MOTOR 208/230-60V-1, 1 SPEED, 830 RPM, 1/4 HP CW (M15)
B13400348	FAN MOTOR 208/230-60V-1, 1 SPEED, 840 RPM, 1/6 HP (M3, M5, M6, M7)
B1219225	FILTER-DRIER (M12, M13, M14, M15)
B1209212	FILTER-DRIER (M1, M2, M3, M4, M5, M6, M7, M8, M9, M10, M11)
B1789855	FLOW CHECK PISTON KIT (M2)
B1789859	FLOW CHECK PISTON KIT (M3)
B1789865	FLOW CHECK PISTON KIT (M5, M6)
B1789873	FLOW CHECK PISTON KIT (M7, M8)
B1789878	FLOW CHECK PISTON KIT (M9, M10, M11)
B1789884	FLOW CHECK PISTON KIT (M12)
B1789893	FLOW CHECK PISTON KIT (M14)
B1789857	FLOW CHECK PISTON KIT (M4)
B1789855	FLOW CHECK PISTON KIT (M1)
B1789898	FLOW CHECK PISTON KIT (M15)

Functional Parts

Part

No:	Description:
B1789882	FLOW CHECK PISTON KIT (M13)
B1141670	START ASSIST (M12)

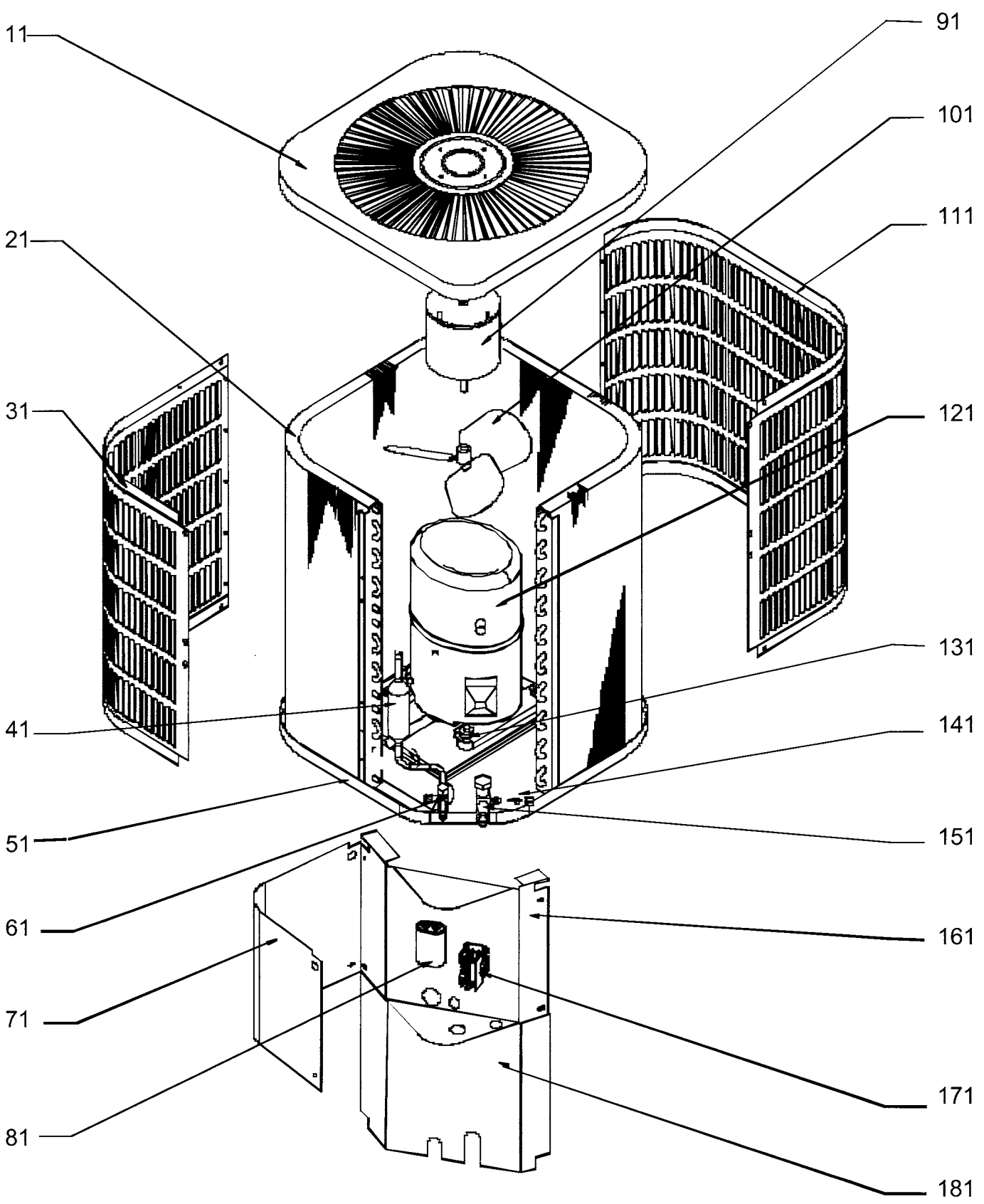
SPECIAL PARTS

IO-101	INSTALLTION AND OPERATION MANUAL
PW-309	PRODUCT WARRANTY, 10 YEARS
RP-279	REPAIR PARTS MANUAL
SS-336	SPECIFICATION SHEET
B1610629	SPRAY PAINT (HIGH GLOSS BAHAMA BEIGE)

Expanded Model Nomenclature

M1 - CLJ18-1
M2 - CLJ18-1A
M3 - CLJ24-1
M4 - CLJ24-1A
M5 - CLJ30-1
M6 - CLJ30-1A
M7 - CLJ36-1
M8 - CLJ36-1A
M9 - CLJ42-1
M10 - CLJ42-1A
M11 - CLJ42-1B
M12 - CLJ48-1
M13 - CLJ48-1A
M14 - CLJ60-1
M15 - CLJ64-1

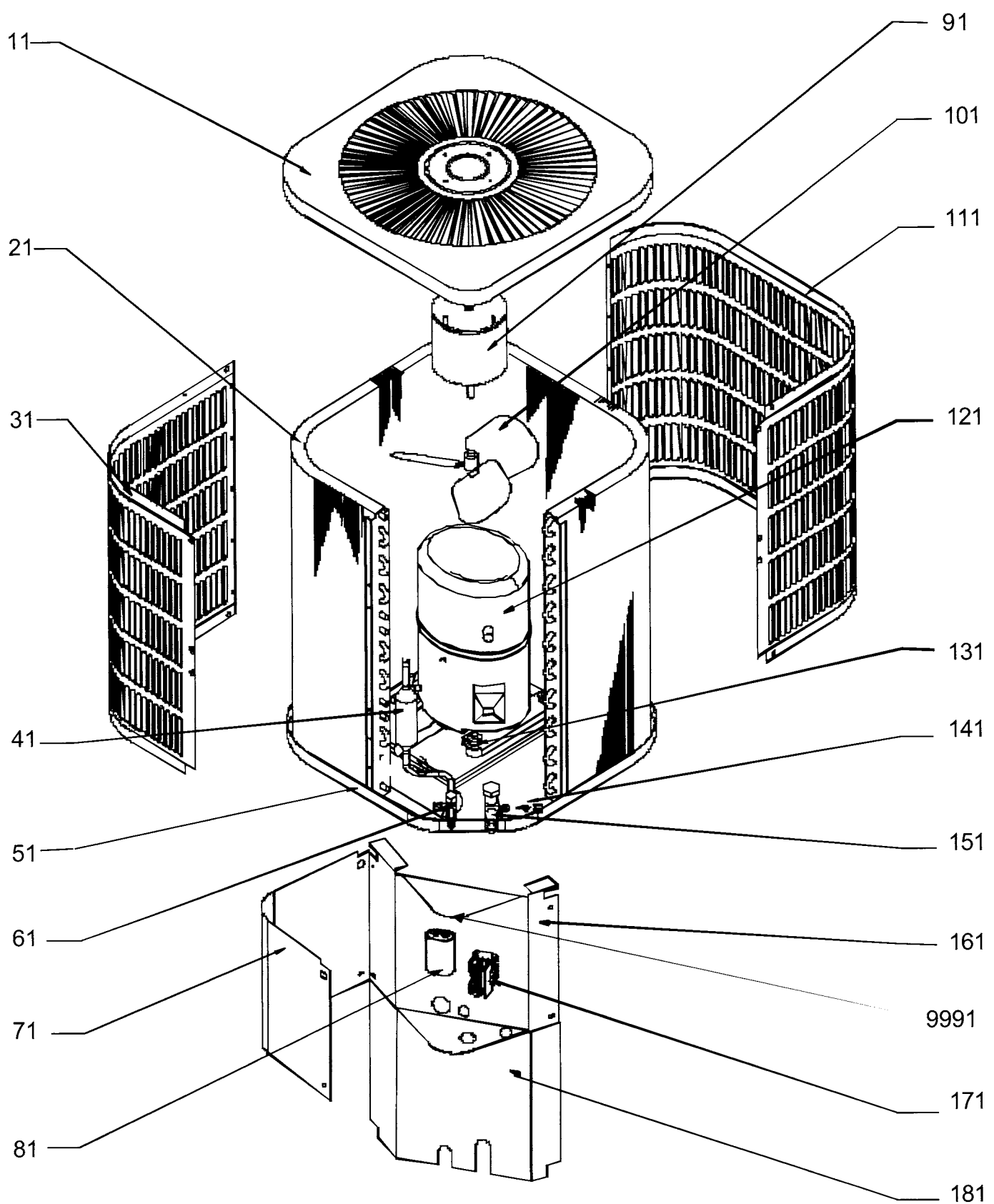
CLJ18 - 36-1A Chassis and Control Box



CLJ18 - 36-1A Chassis and Control Box

Ref. Part No:	No:	Description:	Ref. Part No:	No:	Description:
<i>Image 1:</i>			151	B1282566	SUCTION BASE VALVE (3/4" X 3/4") (M1, M2, M3, M4, M5, M6, M7, M8)
11	1779405P	TOP PANEL (LOUVERED) (M1, M2, M3, M4)	161	1787623	CONTROL BOX (M1, M2, M3, M4, M5, M6, M7, M8)
11	1779406P	TOP PANEL (LOUVERED) (M8)	171	B1360321	CONTACTOR, 25 FLA, 125 LRA, 1 POLE (M1, M2, M3, M4, M5, M6, M7, M8)
11	1779415P	TOP PANEL (LOUVERED) (M5, M6, M7)	181	1787707P	ACCESS PANEL 25" (M1, M2, M5, M6)
21	12621-03	CRATED COND. SERVICE COIL W/ FILTER DRIER (M1, M2)	181	1787708P	ACCESS PANEL 27.5" (M7, M8)
21	12621-05	CRATED COND. SERVICE COIL W/ FILTER DRIER (M3, M4)	181	1787709P	ACCESS PANEL 30" (M3, M4)
21	12621-07	CRATED COND. SERVICE COIL W/ FILTER DRIER (M5, M6)	NS	1284835	CAPACITOR STRAP
21	12621-09	CRATED COND. SERVICE COIL W/ FILTER DRIER (M7, M8)	NS	B1488806	COMPRESSOR SOUND BLANKET
31	1259551P	LOUVER PANEL, 25.0" HAIRPIN SIDE (M1, M2)	NS	B1610629	SPRAY PAINT (HIGH GLOSS BAHAMA BEIGE)
31	1259560P	LOUVER PANEL, 25.0" HAIRPIN SIDE (M5, M6)	Expanded Model Nomenclature		
31	1259568P	LOUVER PANEL, 27.5" HAIRPIN SIDE (M7, M8)	M1 - CLJ18-1 M2 - CLJ18-1A M3 - CLJ24-1 M4 - CLJ24-1A M5 - CLJ30-1 M6 - CLJ30-1A M7 - CLJ36-1 M8 - CLJ36-1A M9 - CLJ42-1 M10 - CLJ42-1A M11 - CLJ42-1B M12 - CLJ48-1 M13 - CLJ48-1A M14 - CLJ60-1 M15 - CLJ64-1		
31	1259553P	LOUVER PANEL, 30.0" HAIRPIN SIDE (M3, M4)			
41	B1209212	FILTER-DRIER (M1, M2, M3, M4, M5, M6, M7, M8)			
51	1787212P	BOTTOM PAN (LARGE) (M5, M6, M7, M8)			
51	1787211P	BOTTOM PAN (SMALL) (M1, M2, M3, M4)			
61	B1282571	BASE VALVE, LIQUID LINE (3/8" X 5/16")			
71	1787624P	CONTROL BOX COVER (M1, M2, M3, M4, M5, M6, M7, M8)			
81	B94576000	CAPACITOR DUAL SECTION, 25 MFD, 5 MFD, 370 VAC (M1, M2)			
81	B94578700	CAPACITOR DUAL SECTION, 30 MFD, 5 MFD, 370 VAC (M3, M4)			
81	B94575300	CAPACITOR DUAL SECTION, 35 MFD, 5 MFD, 370 VAC (M5, M6, M8)			
81	B94575400	CAPACITOR DUAL SECTION, 35 MFD, 5 MFD, 440 VAC (M7)			
91	B13400252	FAN MOTOR 208/230-60V-1, 1 SPEED, 1075 RPM, 1/6 HP (M1, M2, M4)			
91	B13400270	FAN MOTOR 208/230-60V-1, 1 SPEED, 830 RPM, 1/4 HP CCW (M8)			
91	B13400348	FAN MOTOR 208/230-60V-1, 1 SPEED, 840 RPM, 1/6 HP (M3, M5, M6, M7)			
101	B1086771	FAN BLADE, 3 BLADE, 18" DIAMETER (M2, M4)			
101	B1086756	FAN BLADE, 3 BLADE, 29°, 18" DIAMETER (M1, M3)			
101	B1086750	FAN BLADE, 3 BLADE, 29°, 22" DIAMETER (M5, M7)			
101	B1086770	FAN BLADE, 4 BLADE, 22°, 26" DIAMETER (M6, M8)			
111	1259564P	LOUVER PANEL, 25.0" RETURN SIDE (M5, M6)			
111	1259556P	LOUVER PANEL, 26.0" RETURN SIDE (M1, M2)			
111	1259571P	LOUVER PANEL, 27.5" RETURN SIDE (M7, M8)			
111	1259558P	LOUVER PANEL, 30.0" RETURN SIDE (M3, M4)			
121	CR16K6PFV920	COMPRESSOR, CR16K6-PFV-220 (M2)			
121	CR18K6PFV920	COMPRESSOR, CR18K6-PFV-220 (M4)			
121	CR24K7PFV930	COMPRESSOR, CR24K7-PFV-230 (M6)			
121	CR30K6PFV920	COMPRESSOR, CR30K6-PFV-233 (M8)			
121	CR34K6PFV920	COMPRESSOR, CR34K6-PFV-233 (M7) Old Part # B9266373			
121	B9266837AS	COMPRESSOR, H25B14UABCA (M1)			
121	B9266844AS	COMPRESSOR, H29B20UABCA (M3)			
121	B9266833AS	COMPRESSOR, H29B24UABCA (M5)			
131	B1339530	GROMMET, COMPRESSOR (M1, M2, M3, M4, M5, M6, M7, M8)			
141	B1787000	VALVE CORE (M1, M2, M3, M4, M5, M6, M7, M8)			

CLJ42 - 64 Chassis and Control Box



CLJ42 - 64 Chassis and Control Box

Ref. Part No: No:	Description:	Ref. Part No: No:	Description:
<i>Image 1:</i>		121	ZR54K3PFV930 COMPRESSOR, ZR54K3-PFV-230 (M14) Old Part # B9266349
11	1779406P TOP PANEL (LOUVERED) (M9, M10, M12, M13, M14)	121	ZR61KCPFV950 COMPRESSOR, ZR61KC-PFV-250 (M15) Old Part # B9266393 Note: If ordering ZR61KCPFV950 Compressor, must use B94577700 Capacitor.
11	1779415P TOP PANEL (LOUVERED) (M11)	131	B1339530 GROMMET, COMPRESSOR (M9, M10, M11, M12)
11	4279400P TOP PANEL (LOUVERED) (M15)	131	B1339533 GROMMET, COMPRESSOR (M13, M14, M15)
21	12621-10 CRATED COND. SERVICE COIL W/ FILTER DRIER (M9, M10, M11, M12, M13)	141	B1787000 VALVE CORE (M9, M10, M11, M12, M13, M14, M15)
21	12621-12 CRATED COND. SERVICE COIL W/ FILTER DRIER (M14)	151	B1282567 SUCTION BASE VALVE (7/8" X 7/8") (M9, M10, M11, M12, M13, M14, M15)
21	12621-16 CRATED COND. SERVICE COIL W/ FILTER DRIER (M15)	161	1787623 CONTROL BOX (M9, M10, M11, M12, M13, M14)
31	1259561P LOUVER PANEL, 30.0" HAIRPIN SIDE (M9, M10, M11, M12, M13)	161	4202006 CONTROL BOX (M15)
31	1259563P LOUVER PANEL, 40.0" HAIRPIN SIDE (M14, M15)	171	B1360321 CONTACTOR, 25 FLA, 125 LRA, 1 POLE (M9, M10, M11)
41	B1209212 FILTER-DRIER (M9, M10, M11)	171	B1360324 CONTACTOR, 30 FLA, 150 LRA, 1 POLE (M12, M13)
41	B1219225 FILTER-DRIER (M12, M13, M14, M15)	171	B1360305 CONTACTOR, 40 FLA, 240 LRA, 1-POLE (M14, M15)
51	4279100P BASEPAN 35" (M15)	181	1787709P ACCESS PANEL 30" (M9, M10, M11, M12, M13)
51	1787212P BOTTOM PAN (LARGE) (M9, M10, M11, M12, M13, M14)	181	1787718P ACCESS PANEL 40" (M14, M15)
61	B1282571 BASE VALVE, LIQUID LINE (3/8" X 5/16")	9991	B1141670 START ASSIST (M12)
71	1787624P CONTROL BOX COVER (M9, M10, M11, M12, M13, M14)	NS	1284835 CAPACITOR STRAP
71	4223701P CONTROL BOX COVER (M15)	NS	B1488806 COMPRESSOR SOUND BLANKET
81	B94575500 CAPACITOR DUAL SECTION, 40 MFD, 5 MFD, 370 VAC (M9)	NS	B1376925 FAN GRILL GUARD, 26" (M15)
81	B94577200 CAPACITOR DUAL SECTION, 45 MFD, 5 MFD, 370 VAC (M10, M12)	NS	B1376927 MOTOR MOUNTING BRACKET (M15)
81	B94577400 CAPACITOR DUAL SECTION, 50 MFD, 5 MFD, 370 VAC (M11)	NS	B1610629 SPRAY PAINT (HIGH GLOSS BAHAMA BEIGE)
81	B94577500 CAPACITOR DUAL SECTION, 60 MFD, 5 MFD, 370 VAC (M13)	Expanded Model Nomenclature	
81	B94577700 CAPACITOR DUAL SECTION, 70 MFD, 5 MFD, 370 VAC (M15) If ordering ZR61KCPFV950 Compressor, must use B94577700 Capacitor.	M1 - CLJ18-1 M2 - CLJ18-1A M3 - CLJ24-1 M4 - CLJ24-1A M5 - CLJ30-1 M6 - CLJ30-1A M7 - CLJ36-1 M8 - CLJ36-1A M9 - CLJ42-1 M10 - CLJ42-1A M11 - CLJ42-1B M12 - CLJ48-1 M13 - CLJ48-1A M14 - CLJ60-1 M15 - CLJ64-1	
81	B94577600 CAPACITOR DUAL SECTION, 80 MFD, 5 MFD, 370 VAC (M14)		
91	B13400247 FAN MOTOR 208/230-60V-1, 1 SPEED, 1075 RPM, 1/4 HP (M12, M13, M14)		
91	B13400270 FAN MOTOR 208/230-60V-1, 1 SPEED, 830 RPM, 1/4 HP CCW (M9, M10, M11)		
91	B13400271 FAN MOTOR 208/230-60V-1, 1 SPEED, 830 RPM, 1/4 HP CW (M15)		
101	B1086750 FAN BLADE, 3 BLADE, 29°, 22" DIAMETER (M12, M14)		
101	B1086748 FAN BLADE, 3 BLADE, 30°, 22" DIAMETER (M9, M11)		
101	B1086769 FAN BLADE, 4 BLADE, 22°, 26" DIAMETER (M15)		
101	B1086770 FAN BLADE, 4 BLADE, 22°, 26" DIAMETER (M10, M13)		
111	1259565P LOUVER PANEL, 30.0" RETURN SIDE (M9, M10, M11, M12, M13)		
111	1259567P LOUVER PANEL, 40.0" RETURN SIDE (M14, M15)		
121	CR34K6PFV920 COMPRESSOR, CR34K6-PFV-220 (M11) Old Part # B9266370		
121	CR35K6PFV920 COMPRESSOR, CR35K6-PFV-233 (M9) Old Part # B9266351		
121	B9266840AS COMPRESSOR, H29A423CBCA (M12)		
121	B9266831AS COMPRESSOR, H29B35UABCA (M10)		
121	ZR42K3PFV930 COMPRESSOR, ZR42K3-PFV-230 (M13) Old Part # B9266352		