

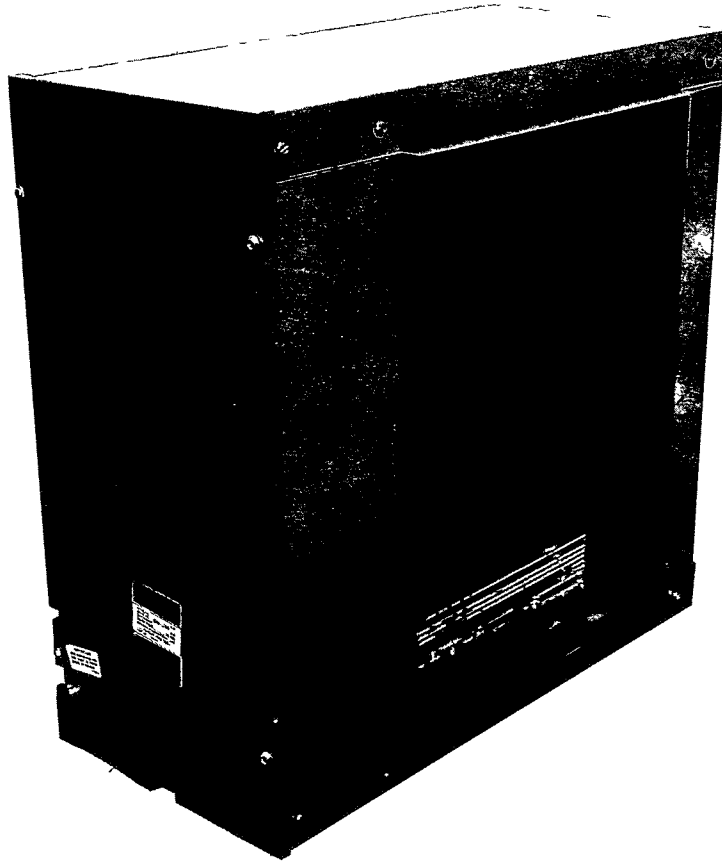


Goodman[®]

REPAIR PARTS

H* Series Horizontal Coils

H-24F
H-36F
H-49F
H-60F
H-61F



RP - 107D
August 2002

Made in the USA by:
Goodman Manufacturing Company, L.P.
2550 North Loop West, Suite 400
Houston Texas 77092

This manual is to be used by qualified technicians only.

Copyright © 2004 Goodman Manufacturing Company, L.P.

Important Information

Goodman Manufacturing Company, L.P. is not responsible for personal injury or property damage resulting from improper service. Review all service information before beginning repairs.

Warranty service must be performed by an authorized technician, using authorized factory parts. If service is required after the warranty expires, Goodman Manufacturing Company, L.P. also recommends contacting an authorized technician and using authorized factory parts.

For assistance within the U.S.A. contact:
Consumer Affairs Department
Goodman Manufacturing Company, L.P.
7401 Security Way
Houston, Texas 77040
877-254-4729-Telephone
713-863-2382-Facsimile

For assistance outside the U.S.A. contact:
International Division
Goodman Manufacturing Company, L.P.
7401 Security Way
Houston, Texas 77040
713-861-2500-Telephone
713-863-2382-Facsimile

Index

Functional Parts List	5
Illustration and Parts	6 - 7

Views shown are for parts illustrations only, not servicing procedures.

Text Codes:

AR - As Required

NA - Not Available

NS - Not Shown

00000000 - See Note

QTY - Quantity . Example (QTY 3) (If Quantity not shown, Quantity = 1)

M - Model . Example (M1) (If M Code not shown, then part is used on all Models)

Expanded Model Nomenclature:

Example M1 - Model#1 M2 - Model#2 M3 - Model#3

This page left blank intentionally.

Functional Parts

Part

No: Description:

P3889001	COIL AND TUBING ASSEMBLY (M2)
P3889004	COIL AND TUBING ASSEMBLY (M5)
P3889002	COIL AND TUBING ASSEMBLY (M3)
P3889003	COIL AND TUBING ASSEMBLY (M4)
P3889000	COIL AND TUBING ASSEMBLY (M1)
3884000	EVAPORATOR COIL ASSY. (24" X 19.75", 2R, 14 FPI) (M1)
3884001	EVAPORATOR COIL ASSY. (24" X 19.75", 3R, 14 FPI) (M2)
3884002	EVAPORATOR COIL ASSY. (24" X 28", 3R, 14 FPI) (M3)
3884003	EVAPORATOR COIL ASSY. (24" X 34", 3R, 14 FPI) (M4)
3884004	EVAPORATOR COIL ASSY. (24" X 34", 4R, 14 FPI) (M5)
B1313890	FLOWRATER DIST. ASSEMBLY (M5)
B1313359	FLOWRATER DIST. ASSEMBLY (M1)
B1313671	FLOWRATER DIST. ASSEMBLY (M2)
B1313682	FLOWRATER DIST. ASSEMBLY (M3)
B1313690	FLOWRATER DIST. ASSEMBLY (M4)

SPECIAL PARTS

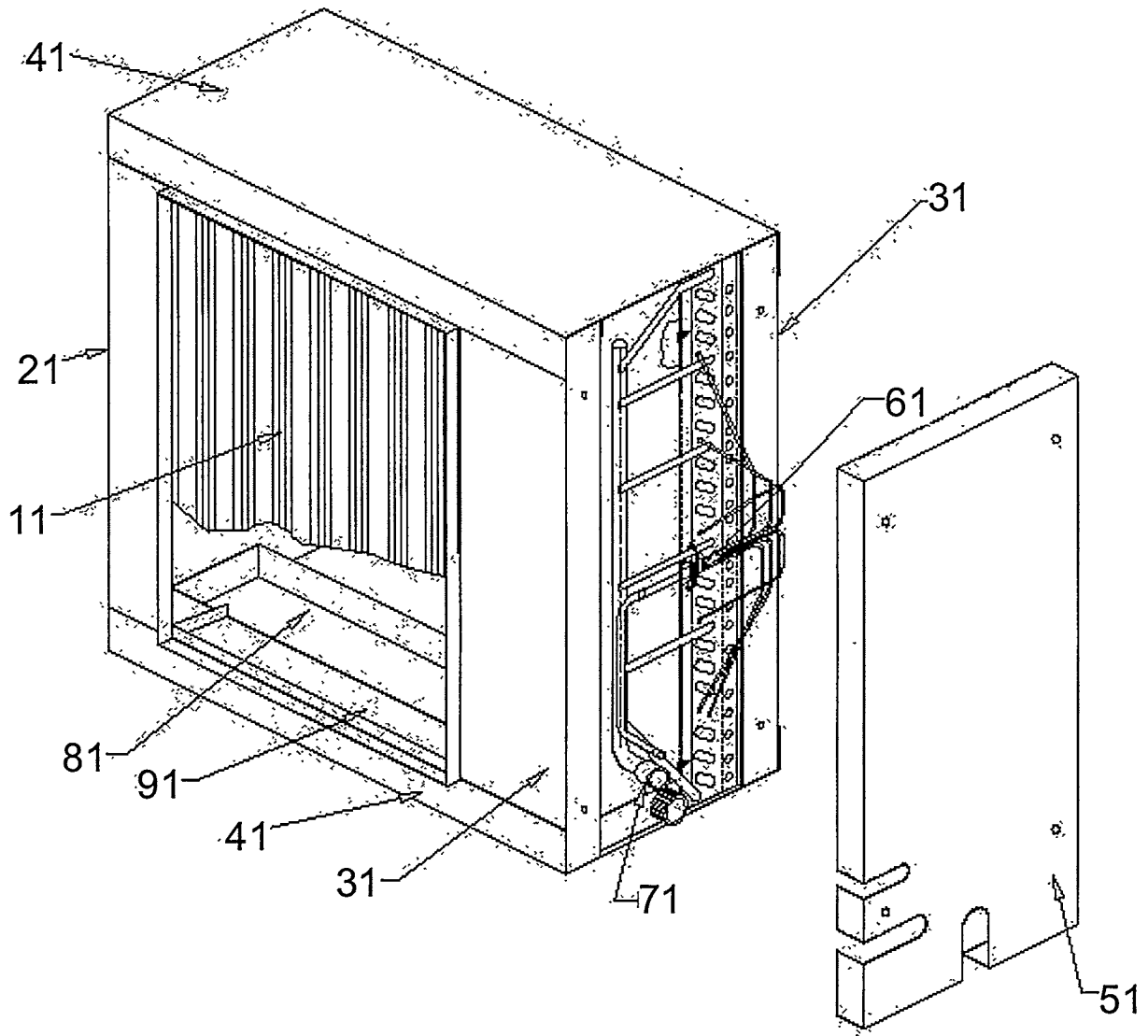
RP-107 REPAIR PARTS MANUAL

SS-109 SPECIFICATION SHEET

Expanded Model Nomenclature

M1 - H-24F
M2 - H-36F
M3 - H-49F
M4 - H-60F
M5 - H-61F

Chassis



Chassis

Ref. Part
No: No:

Description:

Ref. Part
No: No:

Description:

Image 1:

11	3884000	EVAPORATOR COIL ASSY. (24" X 19.75", 2R, 14 FPI) (M1)
11	3884001	EVAPORATOR COIL ASSY. (24" X 19.75", 3R, 14 FPI) (M2)
11	3884002	EVAPORATOR COIL ASSY. (24" X 28", 3R, 14 FPI) (M3)
11	3884003	EVAPORATOR COIL ASSY. (24" X 34", 3R, 14 FPI) (M4)
11	3884004	EVAPORATOR COIL ASSY. (24" X 34", 4R, 14 FPI) (M5)
21	1567500	PANEL, REAR
31	1567600	PANEL, SIDE (QTY 2)
41	1567700	PANEL, TOP AND BOTTOM (M1, M2)
41	1567702	PANEL, TOP AND BOTTOM (M3)
41	1567703	PANEL, TOP AND BOTTOM (M4, M5)
51	1567900	PANEL, ACCESS
61	B1313359	FLOWRATER DIST. ASSEMBLY (M1)
61	B1313671	FLOWRATER DIST. ASSEMBLY (M2)
61	B1313682	FLOWRATER DIST. ASSEMBLY (M3)
61	B1313690	FLOWRATER DIST. ASSEMBLY (M4)
61	B1313890	FLOWRATER DIST. ASSEMBLY (M5)
71	P3889000	COIL AND TUBING ASSEMBLY (M1)
71	P3889001	COIL AND TUBING ASSEMBLY (M2)
71	P3889002	COIL AND TUBING ASSEMBLY (M3)
71	P3889003	COIL AND TUBING ASSEMBLY (M4)
71	P3889004	COIL AND TUBING ASSEMBLY (M5)
81	B1567824H	DRAIN PAN ASSEMBLY (PLASTIC) (M1, M2) WHEN PLASTIC PAN IS ORDERED, SHEET METAL ENDPLATE MUST BE NOTCHED ON BOTH ENDS AND ITEM #9 (WATER BLOW OFF ASSEMBLY) MUST BE ORDERED.
81	B1567832H	DRAIN PAN ASSEMBLY (PLASTIC) (M3) WHEN PLASTIC PAN IS ORDERED, SHEET METAL ENDPLATE MUST BE NOTCHED ON BOTH ENDS AND ITEM #9 (WATER BLOW OFF ASSEMBLY) MUST BE ORDERED.
81	B1567838H	DRAIN PAN ASSEMBLY (PLASTIC) (M4, M5) WHEN PLASTIC PAN IS ORDERED, SHEET METAL ENDPLATE MUST BE NOTCHED ON BOTH ENDS AND ITEM #9 (WATER BLOW OFF ASSEMBLY) MUST BE ORDERED.
91	3881200	WATER BLOW OFF ASSEMBLY (M1, M2)
91	3881201	WATER BLOW OFF ASSEMBLY (M3)
91	3881202	WATER BLOW OFF ASSEMBLY (M4, M5)

Expanded Model Nomenclature

M1 - H-24F
M2 - H-36F
M3 - H-49F
M4 - H-60F
M5 - H-61F



100



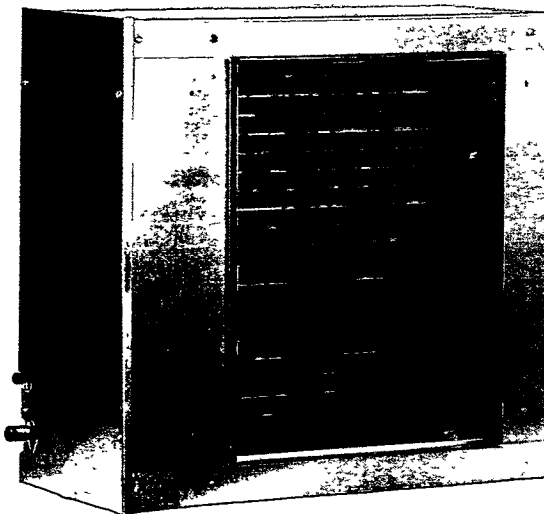


Air Conditioning & Heating

H SERIES

Horizontal Slab Evaporator Coils

2 to 5 Ton



The H Horizontal Slab Evaporator Coils are made for split system air conditioners and heat pumps and may be installed in attics, crawl spaces or basements.

Standard Features

- Rust-resistant, high-temperature, thermoplastic drain pans with a secondary drain connection
- Available with check flowrate expansion device or check TXV for cooling-only and heat pump applications
- Copper tube/aluminum fin coil
- Compact, versatile, right or left horizontal position
- Copper sweat connections

Cabinet Construction

- Galvanized-steel cabinet
- Fully insulated cabinet



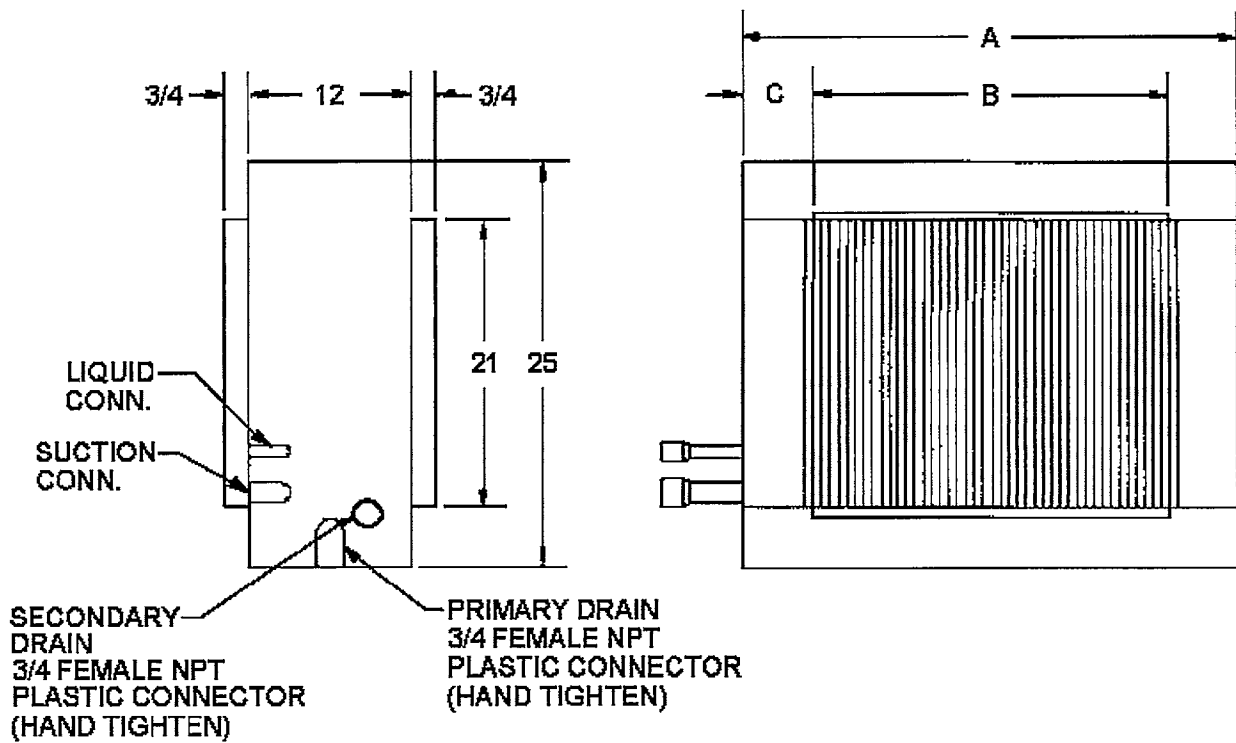
PRODUCT SPECIFICATIONS

Specifications

Model	Dimensions			Specifications						
	A	B	C	Nominal Tons	Nominal CFM	Static Pressure Wet Coil	No. Rows	Liquid Conn.	Suction Conn.	Shipping Weight (pounds)
H-24F	25½"	16"	6"	2	800	.07	2	3/8"	3/4"	26
H-36F	25½"	16"	6"	3	1,200	.15	3	3/8"	3/4"	42
H-49F	33½"	24"	6"	4½	1,800	.20	3	3/8"	7/8"	53
H-60F	39½"	30"	6"	5	2,150	.22	3	3/8"	7/8"	58
H-61F	39½"	30"	6"		2,150	.24	4	3/8"	7/8"	65

* Convertible to expansion valve with the addition of an XV24-60 Expansion Kit.

Dimensions



Goodman Manufacturing Company, L.P., reserves the right to discontinue, or change at any time, specifications or designs without notice or without incurring obligations.
 Copyright © 2004 Goodman Manufacturing Company, L.P. • Houston, Texas • Printed in the USA. • Goodman products are made proudly in the USA.