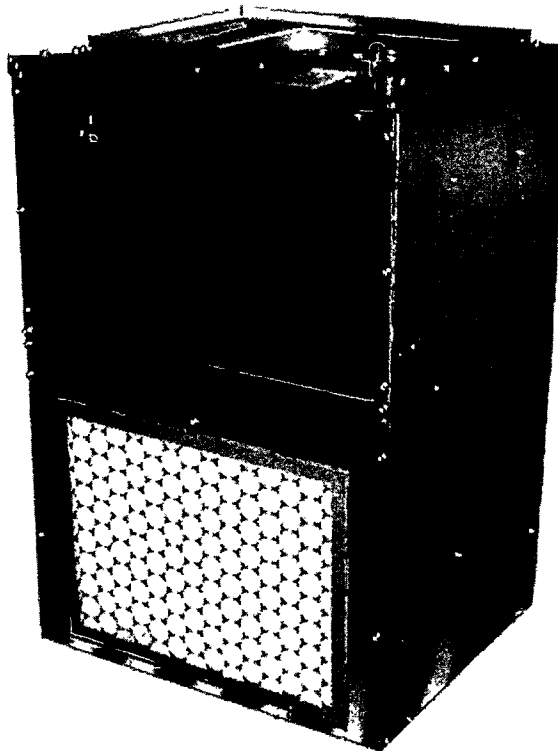


AWB36*FR* (Current Models) Vertical Wall or Stud Mount Air Handler

Except in the case of AWB*FR, the last letter of the model number represents the revision level; example: AWB18-05C A is AWB18-05C rev. A.

Models covered in this manual

AWB36-05CFR
AWB36-05CFR A
AWB36-05CFR B
AWB36-08CFR
AWB36-08CFR A
AWB36-08CFR B
AWB36-10CFR
AWB36-10CFR A
AWB36-10CFR B



Made in the USA by:
Goodman Manufacturing Company, L.P.
2550 North Loop West, Suite 400
Houston Texas 77092

RP - 306
August 2003

This manual is to be used by qualified technicians only.

This manual replaces RP-238F.
Copyright © 2003 Goodman Manufacturing Company, L.P.

Important Information

Goodman is not responsible for personal injury or property damage resulting from improper service. Review all service information before beginning repairs.

Warranty service must be performed by an authorized technician, using authorized factory parts. If service is required after the warranty expires, Goodman also recommends contacting an authorized technician and using authorized factory parts.

For assistance within the U.S.A. contact:
Consumer Affairs Department
Goodman Manufacturing Company, L.P.
7401 Security Way
Houston, Texas 77040
877-254-4729-Telephone
713-863-2382-Facsimile

For assistance outside the U.S.A. contact:
International Division
Goodman Manufacturing Company, L.P.
7401 Security Way
Houston, Texas 77040
713-861-2500-Telephone
713-863-2382-Facsimile

Index

Functional Parts List	5
Illustration and Parts	6 - 9

Views shown are for parts illustrations only, not servicing procedures.

Text Codes:

AR - As Required

NA - Not Available

NS - Not Shown

00000000 - See Note

QTY - Quantity Example (QTY 3) (If Quantity not shown, Quantity = 1)

M - Model Example (M1) (If M Code not shown, then part is used on all Models)

Expanded Model Nomenclature:

Example
M1 - Model#1
M2 - Model#2
M3 - Model#3

Except in the case of AWB*FR, the last letter of the model number represents the revision level;
example: AWB18-05C A is AWB18-05C rev. A.

Functional Parts

Part

No: Description:

BT1368009	BLOWER WHEEL,, 9" x 8"
3796009S	COIL TUBING ASSY
BT1753509	DISCONNECT, 60 AMP WITH CLIP
BT1420018	HEATER ELEMENT, 4.8 KW (M1, M2, M3)
BT1420032	HEATER ELEMENT, 4.8 KW (M1, M2, M3)
BT1420019	HEATER ELEMENT, 7.3 KW (M4, M5, M6)
BT1420033	HEATER ELEMENT, 7.3 KW (M4, M5, M6)
BT1420020	HEATER ELEMENT, 9.8 KW (M7, M8, M9)
BT1420034	HEATER ELEMENT, 9.8 KW (M8, M9)
BT1340031	MOTOR, 1/3 HP 2 SPEED, 230 VOLT
BT1243744	PRIMARY THERMAL OVERLOAD (M1, M4, M7)
BT1243752	PRIMARY THERMAL OVERLOAD (QTY)
BT1243753	SECONDARY THERMAL OVERLOAD (QTY)
BT1243745	SECONDARY THERMAL OVERLOAD
B1370735	TIME DELAY BOARD (M3, M6, M9)
BT1370700	TIME DELAY RELAY (M1, M2, M4, M5, M7, M8)
BT1141601	TRANSFORMER

SPECIAL PARTS

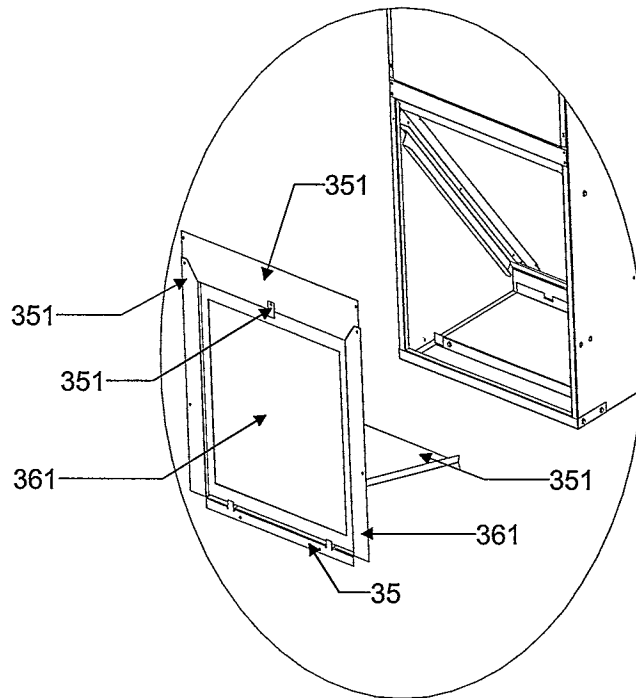
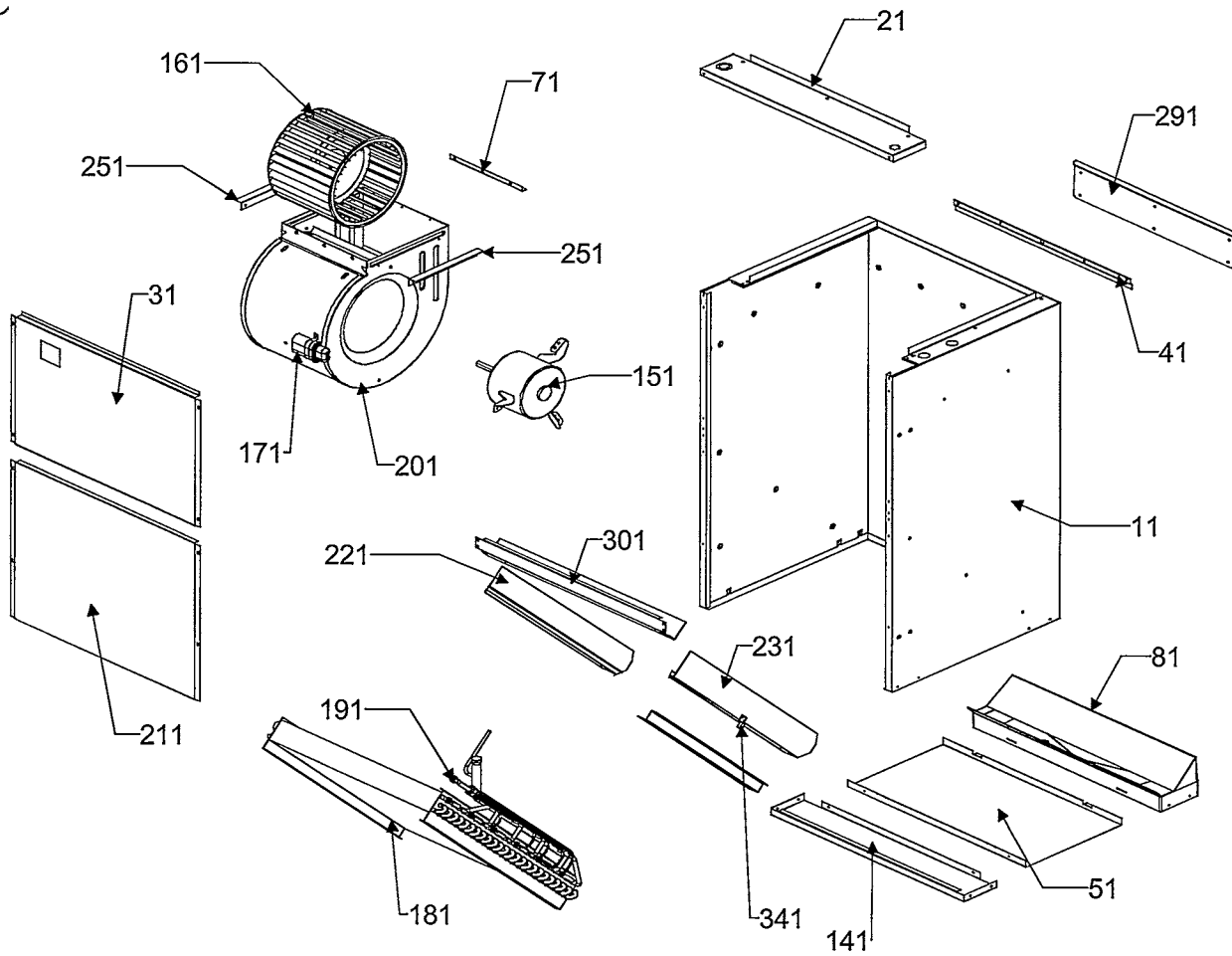
IO-177D	I&O MANUAL
RP-306	REPAIR PARTS MANUAL
PW-101W5	WARRANTY

Expanded Model Nomenclature

M1 - AWB36-05CFR
M2 - AWB36-05CFR A
M3 - AWB36-05CFR B
M4 - AWB36-08CFR
M5 - AWB36-08CFR A
M6 - AWB36-08CFR B
M7 - AWB36-10CFR
M8 - AWB36-10CFR A
M9 - AWB36-10CFR B

Except in the case of AWB*FR, the last letter of the model number represents the revision level;
example: AWB18-05C A is AWB18-05C rev. A.

Chassis and Coil Tubing Assy



Chassis and Coil Tubing Assy

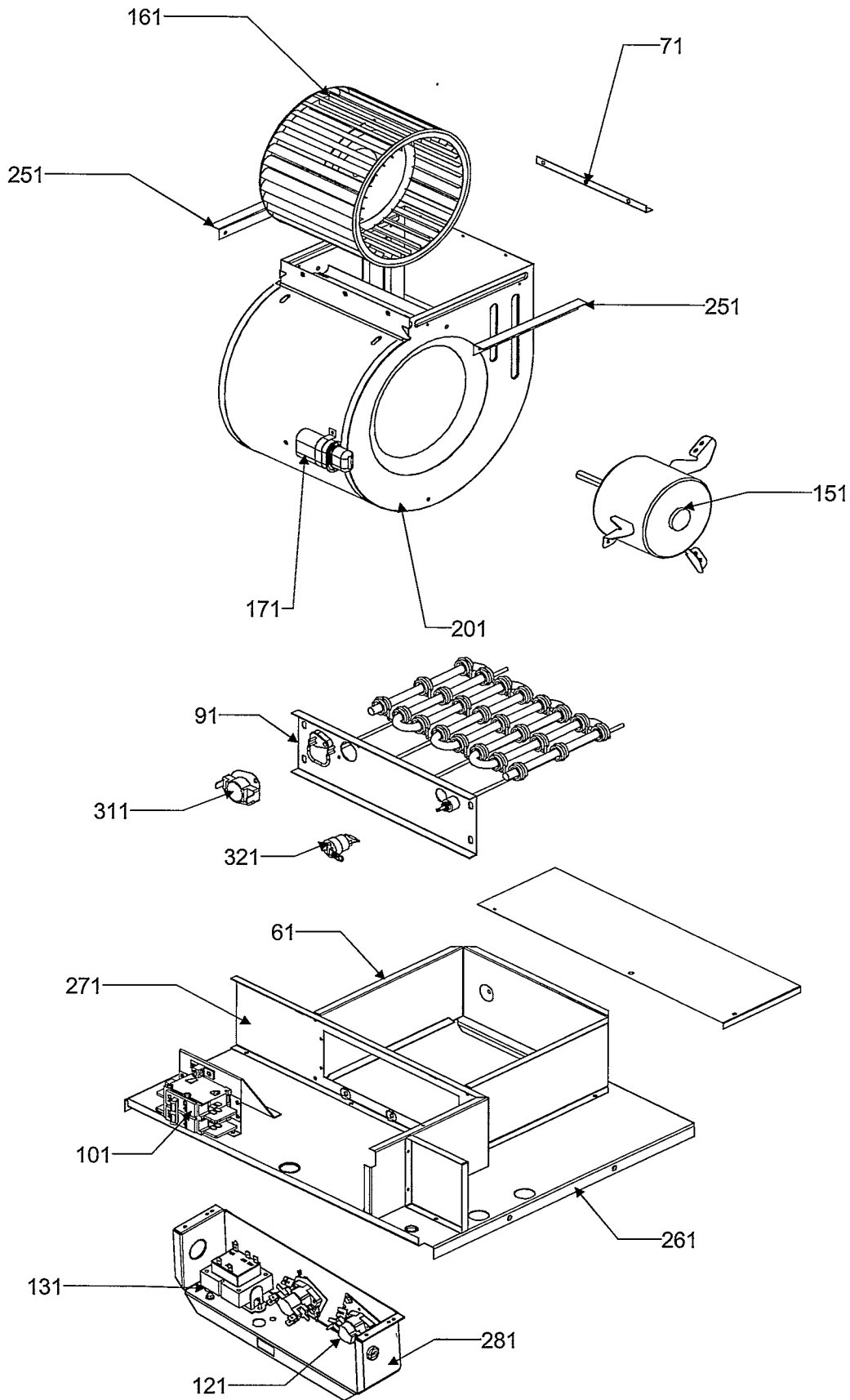
Ref. Part No: No:	Description:	Ref. Part No: No:	Description:
<i>Image 1:</i>			
11	3770012		ASSY; WRAPPER W/ INSULATION
21	3770014		ASSY; WRAPPER TOP W/ INSULATION
31	3770016		ASSEMBLY; FRONT ACCESS PANEL W/ INSULATION
41	3702500		HANGING BRACKET
51	3770022		ASSY; DRAIN ACCESS PANEL W/ INSULATION
81	BT3076501		DRAIN PAN
81	3770028		LARGE DRAIN PAN ASSY
141	3770018		ASSY; BOTTOM TIE PANEL W/ INSULATION
181	3796009S		COIL TUBING ASSY
191	BT1369011		FLOWRATER/DISTRIBUTOR ASSY
221	3701232		LARGE LEFT GUTTER RAIL
231	3701231		LARGE RIGHT GUTTER RAIL
291	3702800		FIELD HANGING BRACKET
301	3702300		CENTER TIE PLATE
341	3701805		OFFSET BRACKET
351	DSK-03		DRIP SHIELD KIT
361	BT1369606		AIR FILTER 16 X 20 X 1

Expanded Model Nomenclature

M1 - AWB36-05CFR
M2 - AWB36-05CFR A
M3 - AWB36-05CFR B
M4 - AWB36-08CFR
M5 - AWB36-08CFR A
M6 - AWB36-08CFR B
M7 - AWB36-10CFR
M8 - AWB36-10CFR A
M9 - AWB36-10CFR B

Except in the case of AWB*FR, the last letter of the model number represents the revision level; example: AWB18-05C A is AWB18-05C rev. A.

Blower and Heater Assemblies



Blower and Heater Assemblies

Ref. Part No:	Ref. Part No:	Description:	Description:
<i>Image 1:</i>			
61	3701507	COLLAR, HEATER	
71	3702700	ANGLE; 9" BLOWER	
91	BT1420018	HEATER ELEMENT, 4.8 KW (M1, M2, M3)	
91	BT1420032	HEATER ELEMENT, 4.8 KW (M1, M2, M3)	
91	BT1420019	HEATER ELEMENT, 7.3 KW (M4, M5, M6)	
91	BT1420033	HEATER ELEMENT, 7.3 KW (M4, M5, M6)	
91	BT1420020	HEATER ELEMENT, 9.8 KW (M7, M8, M9)	
91	BT1420034	HEATER ELEMENT, 9.8 KW (M8, M9)	
101	BT1753509	DISCONNECT, 60 AMP WITH CLIP	
121	B1370735	TIME DELAY BOARD (M3, M6, M9)	
121	BT1370700	TIME DELAY RELAY (M1, M2, M4, M5, M7, M8)	
131	BT1141601	TRANSFORMER	
151	BT1340031	MOTOR, 1/3 HP 2 SPEED, 230 VOLT	
161	BT1368009	BLOWER WHEEL,, 9" x 8"	
171	BT9458003	CAPACITOR, 7.5 MFD	
201	3760202S	BLOWER HOUSING ASSY	
251	3702701	BLOWER ANGLE	
261	3701005	BLOWER DECK	
271	3700807	PANEL; HEATER MOUNTING	
281	3700806	ELECTRICAL JUNCTION BOX	
281	3700808	ELECTRICAL JUNCTION BOX (M3, M6, M9)	
311	BT1243744	PRIMARY THERMAL OVERLOAD (M1, M4, M7)	
311	BT1243752	PRIMARY THERMAL OVERLOAD (QTY)	
321	BT1243745	SECONDARY THERMAL OVERLOAD	
321	BT1243753	SECONDARY THERMAL OVERLOAD (QTY)	

Expanded Model Nomenclature

M1 - AWB36-05CFR
M2 - AWB36-05CFR A
M3 - AWB36-05CFR B
M4 - AWB36-08CFR
M5 - AWB36-08CFR A
M6 - AWB36-08CFR B
M7 - AWB36-10CFR
M8 - AWB36-10CFR A
M9 - AWB36-10CFR B

Except in the case of AWB*FR, the last letter of the model number represents the revision level; example: AWB18-05C A is AWB18-05C rev. A.