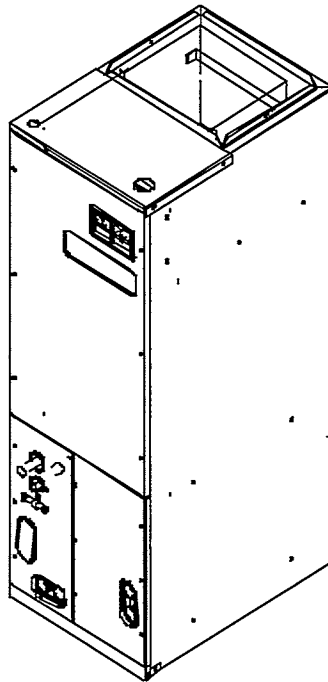




REPAIR PARTS

ARUF Series 1 1/2 - 5 Ton Air Handlers, Gray Color Models

- ARUF018-00A-1A
- ARUF024-00A-1A
- ARUF030-00A-1A
- ARUF032-00A-1A
- ARUF032-00A-1B
- ARUF036-00A-1A
- ARUF042-00A-1A
- ARUF048-00A-1A
- ARUF049-00A-1A
- ARUF060-00A-1A
- ARUF061-00A-1A



RP - 330
Revision 1
October 2003

Made in the USA by:
Goodman Manufacturing Company, L.P.
2550 North Loop West, Suite 400
Houston Texas 77092

This manual replaces RP-330.

Copyright © 2004 Goodman Manufacturing Company, L.P.

This manual is to be used by qualified technicians only.

Important Information

Goodman Manufacturing Company, L.P. is not responsible for personal injury or property damage resulting from improper service. Review all service information before beginning repairs.

Warranty service must be performed by an authorized technician, using authorized factory parts. If service is required after the warranty expires, Goodman Manufacturing Company, L.P. also recommends contacting an authorized technician and using authorized factory parts.

For assistance within the U.S.A. contact:

Consumer Affairs Department
Goodman Manufacturing Company, L.P.
7401 Security Way
Houston, Texas 77040
877-254-4729-Telephone
713-863-2382-Facsimile

For assistance outside the U.S.A. contact:

International Division
Goodman Manufacturing Company, L.P.
7401 Security Way
Houston, Texas 77040
713-861-2500-Telephone
713-863-2382-Facsimile

Index

Functional Parts List	5
Illustration and Parts	6 - 9

Views shown are for parts illustrations only, not servicing procedures.

Revision 1: Corrects the Spray Paint Dark Gray part number from B260S8982 to B260S829.

Text Codes:

AR - As Required

NA - Not Available

NS - Not Shown

00000000 - See Note

QTY - Quantity Example (QTY 3) (If Quantity not shown, Quantity = 1)

M - Model Example (M1) (If M Code not shown, then part is used on all Models)

Expanded Model Nomenclature:

Example

M1 - Model#1

M2 - Model#2

M3 - Model#3



Functional Parts

Part

No: Description:

B1368057	BLOWER WHEEL, 10 X 10 (M10, M11)
B1368035S	BLOWER WHEEL, 5 3/4 X 8 (M1)
B1368042	BLOWER WHEEL, 9 X 6 (M2, M3, M4, M5)
B1368036	BLOWER WHEEL, 9 X 8 (M6, M7, M8, M9)
B945652	CAPACITOR, 10/370 (M5)
B945672	CAPACITOR, 12.5/370 (M7, M8, M9)
B945653	CAPACITOR, 15/370 (M10, M11)
B945650	CAPACITOR, 5/370 (M1, M2)
B945651	CAPACITOR, 7.5/370 (M3, M4, M6)
B13400353	MOTOR, 1/2 HP, 2-SPD, 208-230-60-1,1075 RPM (M7, M8, M9)
B13400312	MOTOR, 1/3 HP, 2-SPD, 208-230-60-1,1075 RPM (M3, M4, M6)
B13400256	MOTOR, 1/3 HP, 3-SPD, 208/230-60-1,1055 RPM (M5)
B13400313	MOTOR, 1/5 HP, 2-SPD, 208-230-60-1,1075 RPM (M1, M2)
B13400208S	MOTOR, 3/4 HP, 2-SPD, 208/230-60-1, 1080 RPM (M10, M11)
B1370735S	RELAY, ELECTRONIC BLOWER TIME DELAY
B1141643	TRANSFORMER, 45VA, 208/230V PRIM., 24V SEC.

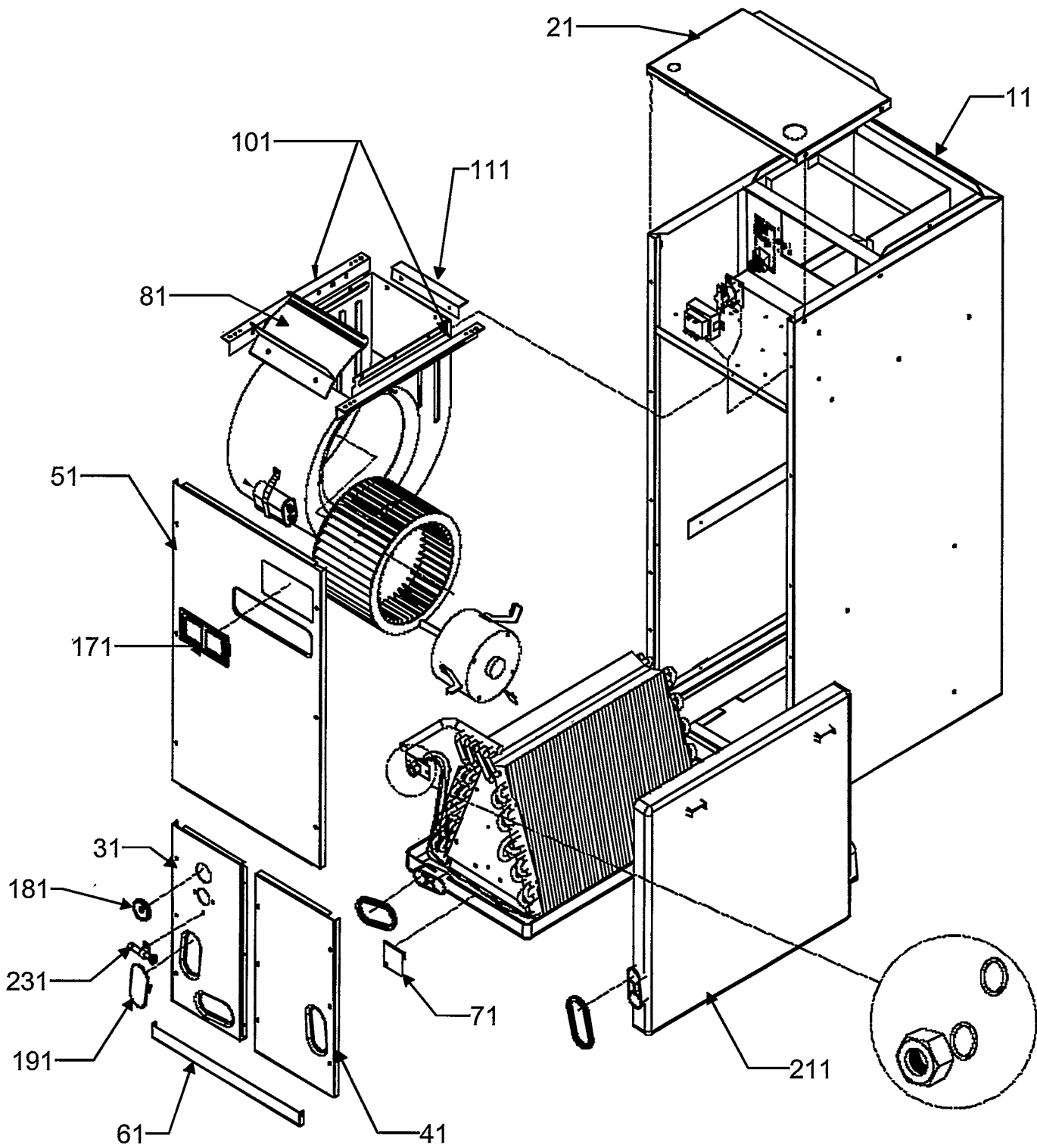
SPECIAL PARTS

IO-230	I & O MANUAL (M1, M2, M3, M4, M5, M6, M7, M8, M9, M10)
RP-330	REPAIR PARTS MANUAL
SS-362	SPEC SHEET (M1, M2, M3, M4, M5, M6, M7, M8, M9, M10)
B260S8292	TOUCH UP SPRAY PAINT, DARK GRAY

Expanded Model Nomenclature

M1 - ARUF018-00A-1A
M2 - ARUF024-00A-1A
M3 - ARUF030-00A-1A
M4 - ARUF032-00A-1A
M5 - ARUF032-00A-1B
M6 - ARUF036-00A-1A
M7 - ARUF042-00A-1A
M8 - ARUF048-00A-1A
M9 - ARUF049-00A-1A
M10 - ARUF060-00A-1A
M11 - ARUF061-00A-1A

Cabinet



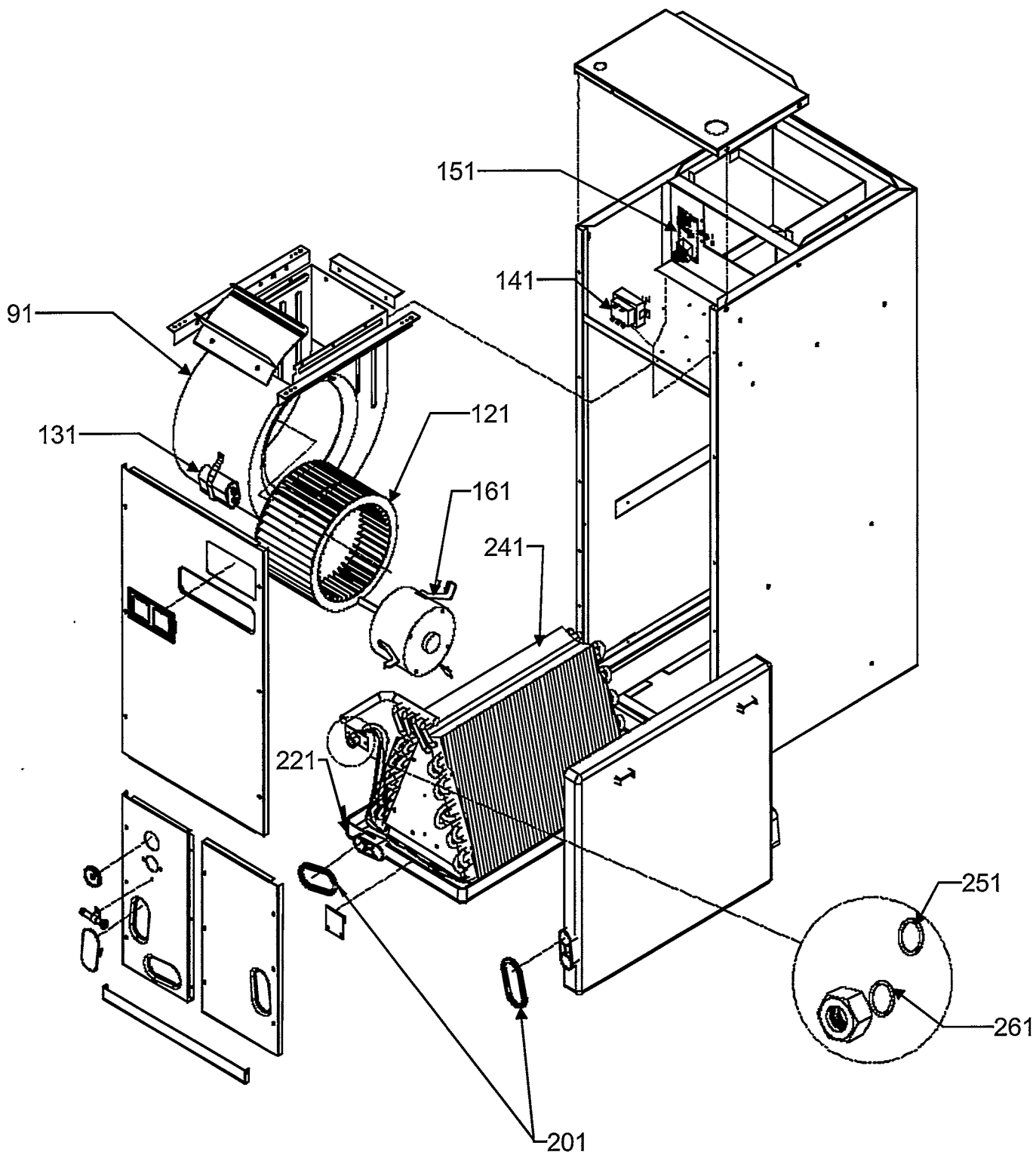
Cabinet

Ref. Part No:	Ref. Part No:	Description:	Description:
<i>Image 1:</i>			
11	1721123	WRAPPER, CABINET, LRG (M8, M9, M10, M11)	
11	1721122	WRAPPER, CABINET, MED (M6, M7)	
11	1721121	WRAPPER, CABINET, SML (M1, M2, M3, M4, M5)	
21	1721930PDG	PLATE, UPPER TIE, LRG (M8, M9, M10, M11)	
21	1721929PDG	PLATE, UPPER TIE, MED (M6, M7)	
21	1721931PDG	PLATE, UPPER TIE, SML (M1, M2, M3, M4, M5)	
31	1722078PDG	PANEL, LOWER ACCESS, LRG (M8, M9, M10, M11)	
31	1722077PDG	PANEL, LOWER ACCESS, SML/MED (M1, M2, M3, M4, M5, M6, M7)	
41	1722081PDG	PANEL, LOWER SERVICE, LRG (M8, M9, M10, M11)	
41	1722080PDG	PANEL, LOWER SERVICE, MED (M6, M7)	
41	1722079PDG	PANEL, LOWER SERVICE, SML (M1, M2, M3, M4, M5)	
51	1722084PDG	PANEL, UPPER SERVICE, LRG (M8, M9, M10, M11)	
51	1722083PDG	PANEL, UPPER SERVICE, MED (M6, M7)	
51	1722082PDG	PANEL, UPPER SERVICE, SML (M1, M2, M3, M4, M5)	
61	1722087PDG	FILTER COVER, LRG (M8, M9, M10, M11)	
61	1722086PDG	FILTER COVER, MED (M6, M7)	
61	1722085PDG	FILTER COVER, SML (M1, M2, M3, M4, M5)	
71	1722347	BRACKET, COIL RETAINING	
81	1864700	BLOWER CUT-OFF (M10, M11)	
81	764733	BLOWER CUT-OFF (M1, M2, M3, M4, M5)	
81	764734	BLOWER CUT-OFF (M6, M7)	
81	764736	BLOWER CUT-OFF (M8, M9)	
101	1717107	ANGLE, BLOWER MOUNTING, QTY 2 (M1, M2, M3, M4, M5, M6, M7, M10, M11)	
101	1717108	ANGLE, BLOWER MOUNTING, QTY 2 (M8, M9)	
111	1717109	ANGLE BRACKET	
171	B1392641	INSERT, CURCUIT BREAKER, PLASTIC	
181	B1392630	GROMMET, DRAIN HOLE	
191	B1392640	COVER, DRAIN HOLE, PLASTIC	
211	B1756021L	HORIZONTAL DRAIN PAN (M1, M2, M3, M4, M5)	
211	B1756022L	HORIZONTAL DRAIN PAN (M6, M7)	
211	B1756028L	HORIZONTAL DRAIN PAN (M8, M9, M10, M11)	
231	B1796630	TUBE INLET	

Expanded Model Nomenclature

M1 - ARUF018-00A-1A
M2 - ARUF024-00A-1A
M3 - ARUF030-00A-1A
M4 - ARUF032-00A-1A
M5 - ARUF032-00A-1B
M6 - ARUF036-00A-1A
M7 - ARUF042-00A-1A
M8 - ARUF048-00A-1A
M9 - ARUF049-00A-1A
M10 - ARUF060-00A-1A
M11 - ARUF061-00A-1A

Internal Components



Internal Components

Ref. Part No:	No:	Description:
<i>Image 1:</i>		
91	1439398	BLOWER SHELL, 10 X 10 (M10, M11)
91	1439391	BLOWER SHELL, 10 X 8 (M8, M9)
91	1439389	BLOWER SHELL, 9 X 6 (M1, M2, M3, M4, M5)
91	1839304	BLWER SHELL 9 X 8 (M6, M7)
121	B1368057	BLOWER WHEEL, 10 X 10 (M10, M11)
121	B1368035S	BLOWER WHEEL, 5 3/4 X 8 (M1)
121	B1368042	BLOWER WHEEL, 9 X 6 (M2, M3, M4, M5)
121	B1368036	BLOWER WHEEL, 9 X 8 (M6, M7, M8, M9)
131	B945652	CAPACITOR, 10/370 (M5)
131	B945672	CAPACITOR, 12.5/370 (M7, M8, M9)
131	B945653	CAPACITOR, 15/370 (M10, M11)
131	B945650	CAPACITOR, 5/370 (M1, M2)
131	B945651	CAPACITOR, 7.5/370 (M3, M4, M6)
141	B1141643	TRANSFORMER, 45VA, 208/230V PRIM., 24V SEC.
151	B1370735S	RELAY, ELECTRONIC BLOWER TIME DELAY
161	B13400353	MOTOR, 1/2 HP, 2-SPD, 208-230-60-1,1075 RPM (M7, M8, M9)
161	B13400312	MOTOR, 1/3 HP, 2-SPD, 208-230-60-1,1075 RPM (M3, M4, M6)
161	B13400256	MOTOR, 1/3 HP, 3-SPD, 208/230-60-1,1055 RPM (M5)
161	B13400313	MOTOR, 1/5 HP, 2-SPD, 208-230-60-1,1075 RPM (M1, M2)
161	B13400208S	MOTOR, 3/4 HP, 2-SPD, 208/230-60-1, 1080 RPM (M10, M11)
201	B1392631	GASKET, SEAL, QTY 2 (QTY 2)
221	B1756013L	VERTICAL DRAIN PAN (M1, M2, M3, M4, M5)
221	B1756017L	VERTICAL DRAIN PAN (M6, M7)
221	B1756020L	VERTICAL DRAIN PAN (M8, M9, M10, M11)
241	P140118	COIL PAN ASSEMBLY (M1)
241	P140124	COIL PAN ASSEMBLY (M2)
241	P140130	COIL PAN ASSEMBLY (M3)
241	P140132	COIL PAN ASSEMBLY (M4, M5)
241	P140136	COIL PAN ASSEMBLY (M6)
241	P140142	COIL PAN ASSEMBLY (M7)
241	P140148	COIL PAN ASSEMBLY (M8)
241	P140149	COIL PAN ASSEMBLY (M9)
241	P140160	COIL PAN ASSEMBLY (M10)
241	P140161	COIL PAN ASSEMBLY (M11)
251	B1796631	TEFLON SEAL, 20 IN A PACK
261	B1796632	TEFLON SEAL AND NUT ASSEMBLY
NS	B821700	CAPACITOR RUBBER BOOT
NS	1284835	CAPACITOR STRAP, METEL
NS	B1376863	MOTOR MOUNT ARM, QTY3 (M10, M11)
NS	B1376862	MOTOR MOUNT BAND (M10, M11)

Ref. Part No: No: Description:

Expanded Model Nomenclature

- | |
|----------------------|
| M1 - ARUF018-00A-1A |
| M2 - ARUF024-00A-1A |
| M3 - ARUF030-00A-1A |
| M4 - ARUF032-00A-1A |
| M5 - ARUF032-00A-1B |
| M6 - ARUF036-00A-1A |
| M7 - ARUF042-00A-1A |
| M8 - ARUF048-00A-1A |
| M9 - ARUF049-00A-1A |
| M10 - ARUF060-00A-1A |
| M11 - ARUF061-00A-1A |