

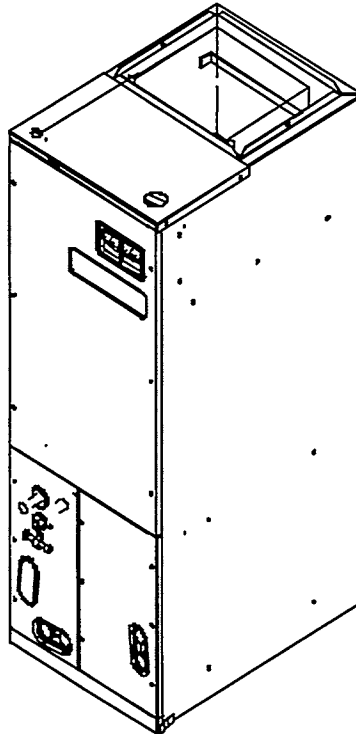
# Goodman<sup>®</sup>

## REPAIR PARTS

### ARPT Series 1 1/2 - 5 Ton Air Handlers



ARPT024-00A-1  
ARPT024-00C-1  
ARPT032-00A-1  
ARPT032-00C-1  
ARPT036-00A-1  
ARPT036-00C-1  
ARPT042-00A-1  
ARPT042-00C-1  
ARPT049-00A-1  
ARPT049-00C-1  
ARPT061-00A-1  
ARPT061-00C-1



Made in the USA by:  
Goodman Manufacturing Company, L.P.  
2550 North Loop West, Suite 400  
Houston Texas 77092

RP - 297A  
April 2004

This manual is to be used by  
qualified technicians only.

This manual replaces RP-297.

Copyright © 2002-04 Goodman Manufacturing Company, L.P.

## Important Information

---

Goodman Manufacturing Company, L.P. is not responsible for personal injury or property damage resulting from improper service. Review all service information before beginning repairs.

Warranty service must be performed by an authorized technician, using authorized factory parts. If service is required after the warranty expires, Goodman Manufacturing Company, L.P. also recommends contacting an authorized technician and using authorized factory parts.

For assistance within the U.S.A. contact:  
Consumer Affairs Department  
Goodman Manufacturing Company, L.P.  
7401 Security Way  
Houston, Texas 77040  
877-254-4729-Telephone  
713-863-2382-Facsimile

For assistance outside the U.S.A. contact:  
International Division  
Goodman Manufacturing Company, L.P.  
7401 Security Way  
Houston, Texas 77040  
713-861-2500-Telephone  
713-863-2382-Facsimile

# Index

Functional Parts List .....	5
Illustration and Parts .....	6 - 9

*Views shown are for parts illustrations only, not servicing procedures.*

Revision A: Adds ARPT+C models and updates the service coil assemblies.

## Text Codes:

AR - As Required

NA - Not Available

NS - Not Shown

00000000 - See Note

QTY - Quantity Example (QTY 3) (If Quantity not shown, Quantity = 1)

M - Model Example (M1) (If M Code not shown, then part is used on all Models)

## Expanded Model Nomenclature:

Example

M1 - Model#1

M2 - Model#2

M3 - Model#3

# Functional Parts

**Part  
No:**

**Description:**

B945672	CAPACITOR, RUN 12.5 MFD, 370 VAC (M4, M5, M10, M11)
B945653	CAPACITOR, RUN 15 MFD, 370 VAC (M6, M12)
B945650	CAPACITOR, RUN 5 MFD, 370 VAC (M1, M7)
B945651	CAPACITOR, RUN 7.5 MFD, 370 VAC (M2, M3, M8, M9)
1262405	EVAP. SERVICE COIL W/FILTER DRIER (M6, M12)
1262404	EVAP. SERVICE COIL W/FILTER DRIER (M5, M11)
1262403	EVAP. SERVICE COIL W/FILTER DRIER (M4, M10)
1262402	EVAP. SERVICE COIL W/FILTER DRIER (M3, M9)
1262401	EVAP. SERVICE COIL W/FILTER DRIER (M2, M8)
1262400	EVAP. SERVICE COIL W/FILTER DRIER (M1, M7)
B13400353	MOTOR, DIRECT DRIVE, ½ HP, 2 SPEED (M4, M5, M10, M11)
B13400208	MOTOR, DIRECT DRIVE, ¾ HP, 2 SPEED (M6, M12)
B13400312	MOTOR, DIRECT DRIVE, 1/3 HP, 2 SPEED (M2, M3, M8, M9)
B13400313	MOTOR, DIRECT DRIVE, 1/5 HP, 2 SPEED (M1, M7)
B1370735	RELAY, ELECTRONIC BLOWER TIME DELAY (CIRCUIT BOARD) Order this part when replacing B1370735
B1141643	TRANSFORMER, 45VA, 208/230V PRI., 24V SEC.
B3232213	TXV 24-42 (M1, M2, M3, M4, M7, M8, M9, M10)
B3232214	TXV34-60 (M5, M6, M11, M12)
B1368057	WHEEL BLOWER (10 X 10) (M5, M12) B1368057 must be used with B13400208S motor service kit. When ordering B1368057 order B13400208S motor service kit.
B1368042	WHEEL BLOWER (9 X 6) (M1, M2, M7, M8)
B1368036	WHEEL BLOWER (9 X 8) (M3, M4, M5, M9, M10, M11)

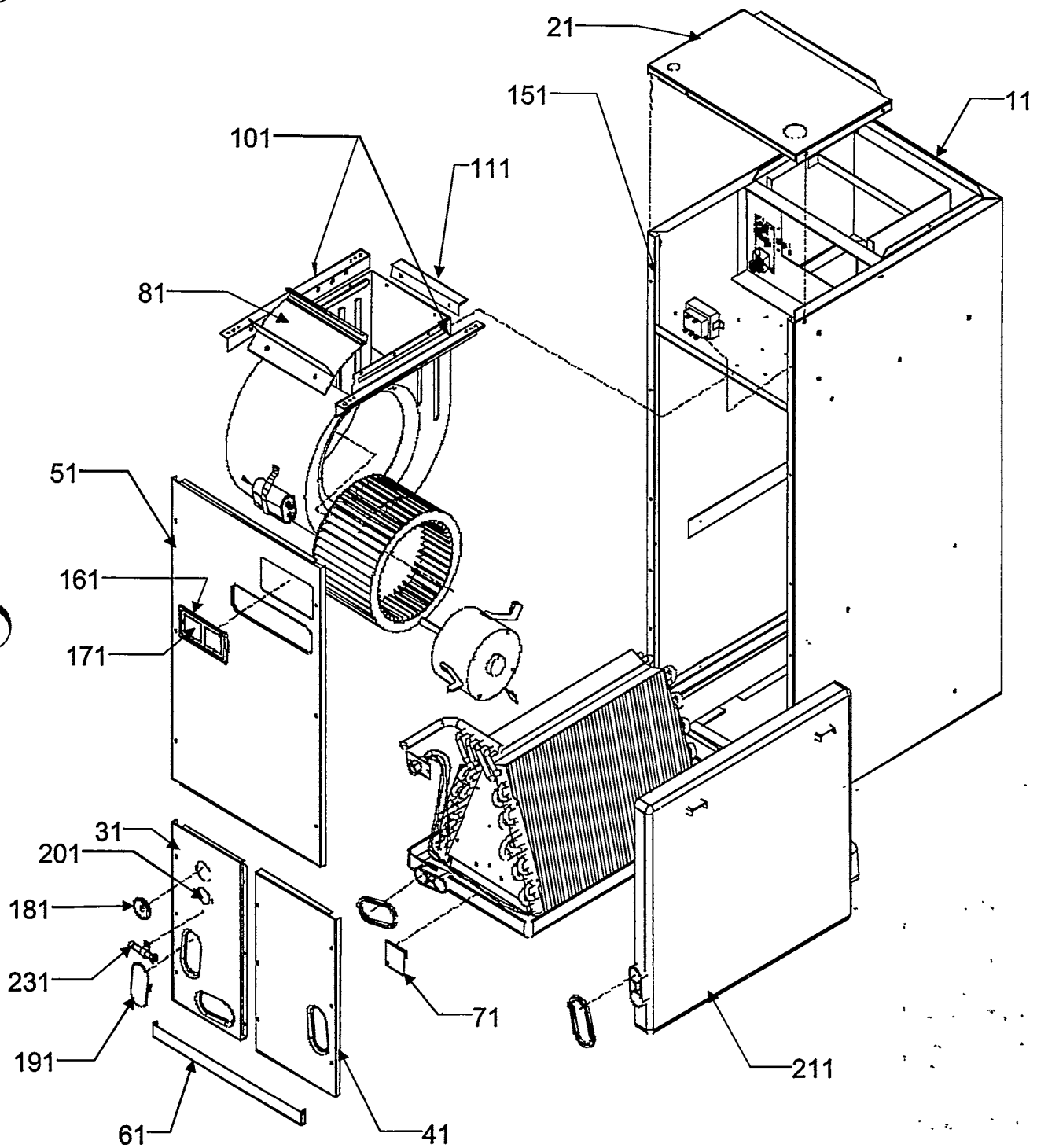
## SPECIAL PARTS

IO-230	I & O MANUAL
PW-316	PRODUCT WARRANTY
RP-298A	REPAIR PARTS MANUAL

## Expanded Model and Color Nomenclature

M1 - ARPT024-00A-1
M2 - ARPT032-00A-1
M3 - ARPT036-00A-1
M4 - ARPT042-00A-1
M5 - ARPT049-00A-1
M6 - ARPT061-00A-1
M7 - ARPT024-00C-1
M8 - ARPT032-00C-1
M9 - ARPT036-00C-1
M10 - ARPT042-00C-1
M11 - ARPT049-00C-1
M12 - ARPT061-00C-1

# Cabinet



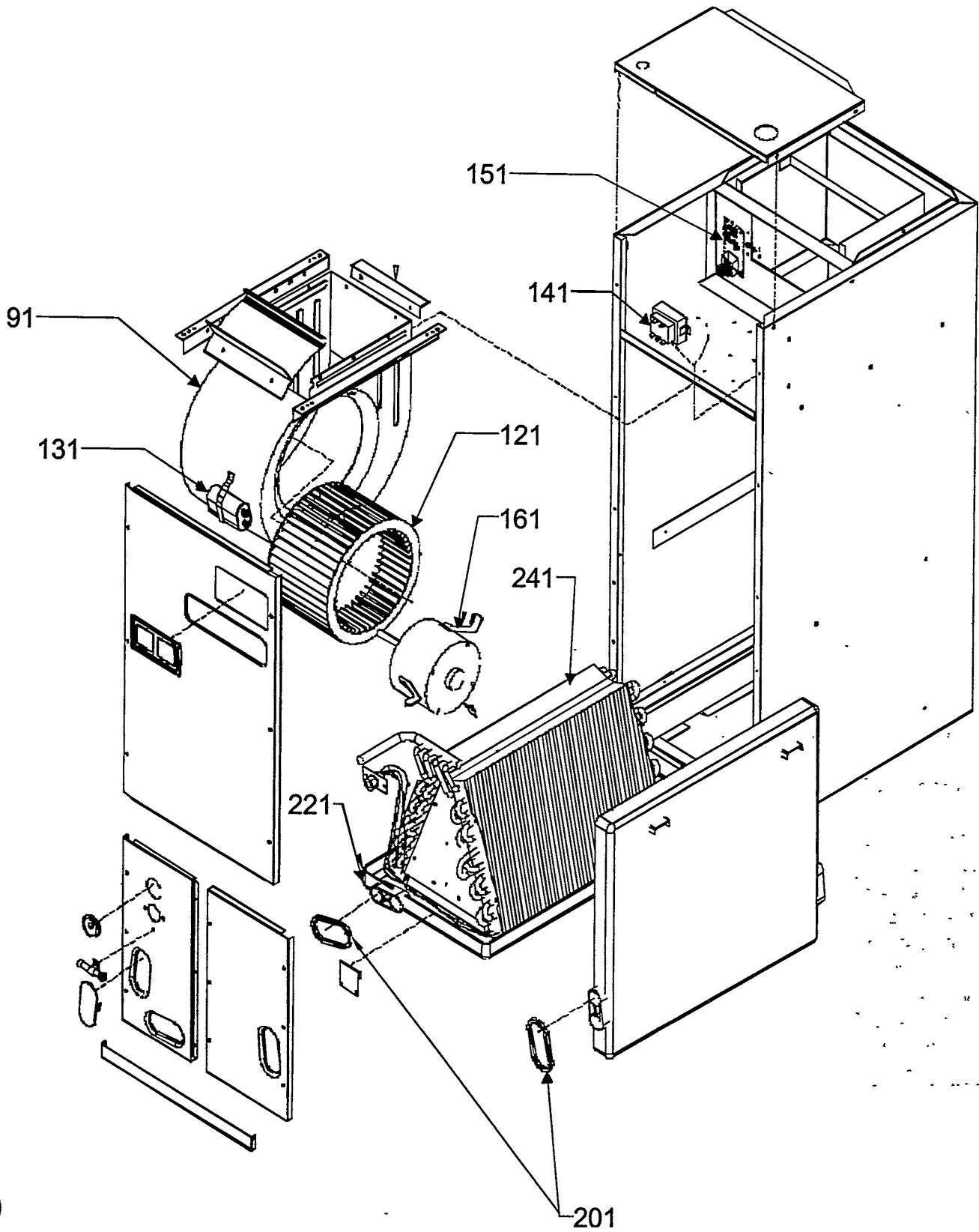
# Cabinet

Ref. Part No:	Ref. Part No:	Description:	Description:
<i>Image 1:</i>			
11	1721123	WRAPPER, CABINET (LRG) (M5, M6, M11, M12)	
11	1721122	WRAPPER, CABINET (MED) (M3, M4, M9, M10)	
11	1721121	WRAPPER, CABINET (SM) (M1, M2, M7, M8)	
21	1721930P	PLATE, UPPER TIE (LRG) (M5, M6, M11, M12)	
21	1721929P	PLATE, UPPER TIE (MED) (M3, M4, M9, M10)	
21	1721931P	PLATE, UPPER TIE (SM) (M1, M2, M7, M8)	
31	1722078P	PANEL, LOWER ACCESS (LRG) (M5, M6, M11, M12)	
31	1722077P	PANEL, LOWER ACCESS (SM, MED) (M1, M2, M3, M4, M7, M8, M9, M10)	
41	1722081P	PANEL, LOWER SERVICE (LRG) (M5, M6, M11, M12)	
41	1722080P	PANEL, LOWER SERVICE (MED) (M3, M4, M9, M10)	
41	1722079P	PANEL, LOWER SERVICE (SM) (M1, M2, M7, M8)	
51	1722084P	PANEL, UPPER ACCESS (LRG) (M5, M6, M11, M12)	
51	1722083P	PANEL, UPPER ACCESS (MED) (M3, M4, M9, M10)	
51	1722082P	PANEL, UPPER ACCESS (SM) (M1, M2, M7, M8)	
61	1722087P	FILTER COVER (LRG) (M5, M6, M11, M12)	
61	1722086P	FILTER COVER (MED) (M3, M4, M9, M10)	
61	1722085P	FILTER COVER (SM) (M1, M2, M7, M8)	
71	1722347	BRACKET, COIL RETAINING	
81	764734	BLOWER CUT-OFF (M3, M4, M9, M10)	
81	1864700	BLOWER CUT-OFF (10 X 10) (M6, M12)	
81	764736	BLOWER CUT-OFF (10 X 8) (M5, M11)	
81	764733	BLOWER CUT-OFF (9 X 6) (M1, M2, M7, M8)	
101	1717107	ANGLE, BLOWER MOUNTING (M1, M2, M3, M4, M6, M7, M8, M9, M10, M12)	
101	1717108	ANGLE, BLOWER MOUNTING (M5, M11)	
111	1717109	ANGLE BRACKET	
151	B13926123	NEOPRENE GASKET, (ACCESS DOORS) (M7, M8, M9, M10, M11, M12)	
		<small>This gasket comes in a roll of 50 ft.</small>	
161	B13926122	BREAKER, INSERT GASKET (M7, M8, M9, M10, M11, M12)	
171	B1392641	INSERT, CIRCUIT BREAKER	
181	B1392630	GROMMET, TUBING	
191	B1392640	COVER, DRAIN HOLE	
201	B13926121	FLOWRATOR GASKET (M8, M9, M10, M11, M12)	
211	B1756021L	HORIZONTAL DRAIN PAN (M1, M2, M7, M8)	
211	B1756022L	HORIZONTAL DRAIN PAN (M3, M4, M9, M10)	
211	B1756028L	HORIZONTAL DRAIN PAN (M5, M6, M11, M12)	
231	B1796630	TUBE, INLET	

## Expanded Model Nomenclature

M1 - ARPT024-00A-1
M2 - ARPT032-00A-1
M3 - ARPT036-00A-1
M4 - ARPT042-00A-1
M5 - ARPT049-00A-1
M6 - ARPT061-00A-1
M7 - ARPT024-00C-1
M8 - ARPT032-00C-1
M9 - ARPT036-00C-1
M10 - ARPT042-00C-1
M11 - ARPT049-00C-1
M12 - ARPT061-00C-1

# Internal Components



# Internal Components

Ref. Part No: No:	Description:	Ref. Part No: No:	Description:
<i>Image 1:</i>			
91	1439398	BLOWER SHELL (10 X 10) (M6, M12)	
91	1439391	BLOWER SHELL (10 X 8) (M5, M11)	
91	1439389	BLOWER SHELL (9 X 6) (M1, M2, M7, M8)	
91	1839304	BLOWER SHELL (9 X 8) (M3, M4, M9, M10)	
121	B1368057	WHEEL BLOWER (10 X 10) (M5, M12) B1368057 must be used with B13400208S motor service kit. When ordering B1368057 order B13400208S motor service kit.	
121	B1368042	WHEEL BLOWER (9 X 6) (M1, M2, M7, M8)	
121	B1368036	WHEEL BLOWER (9 X 8) (M3, M4, M5, M9, M10, M11)	
131	B945672	CAPACITOR, RUN 12.5 MFD, 370 VAC (M4, M5, M10, M11)	
131	B945653	CAPACITOR, RUN 15 MFD, 370 VAC (M6, M12)	
131	B945650	CAPACITOR, RUN 5 MFD, 370 VAC (M1, M7)	
131	B945651	CAPACITOR, RUN 7.5 MFD, 370 VAC (M2, M3, M8, M9)	
141	B1141643	TRANSFORMER, 45VA, 208/230V PRI., 24V SEC.	
151	B1370735	RELAY, ELECTRONIC BLOWER TIME DELAY (CIRCUIT BOARD) Order this part when replacing B1370735	
161	B13400353	MOTOR, DIRECT DRIVE, 1/2 HP, 2 SPEED (M4, M5, M10, M11)	
161	B13400208	MOTOR, DIRECT DRIVE, 3/4 HP, 2 SPEED (M6, M12)	
161	B13400312	MOTOR, DIRECT DRIVE, 1/3 HP, 2 SPEED (M2, M3, M8, M9)	
161	B13400313	MOTOR, DIRECT DRIVE, 1/5 HP, 2 SPEED (M1, M7)	
201	B1392631	GASKET, SEAL (QTY 2)	
221	B1756013L	VERTICAL DRAIN PAN (M1, M2, M7, M8)	
221	B1756017L	VERTICAL DRAIN PAN (M3, M4, M9, M10)	
221	B1756020L	VERTICAL DRAIN PAN (M5, M6, M11, M12)	
241	1262400	EVAP. SERVICE COIL W/FILTER DRIER (M1, M7)	
241	1262401	EVAP. SERVICE COIL W/FILTER DRIER (M2, M8)	
241	1262402	EVAP. SERVICE COIL W/FILTER DRIER (M3, M9)	
241	1262403	EVAP. SERVICE COIL W/FILTER DRIER (M4, M10)	
241	1262404	EVAP. SERVICE COIL W/FILTER DRIER (M5, M11)	
241	1262405	EVAP. SERVICE COIL W/FILTER DRIER (M6, M12)	
NS	B3232213	TXV 24-42 (M1, M2, M3, M4, M7, M8, M9, M10)	
NS	B3232214	TXV34-60 (M5, M6, M11, M12)	

## Expanded Model Nomenclature

M1 - ARPT024-00A-1
M2 - ARPT032-00A-1
M3 - ARPT036-00A-1
M4 - ARPT042-00A-1
M5 - ARPT049-00A-1
M6 - ARPT061-00A-1
M7 - ARPT024-00C-1
M8 - ARPT032-00C-1
M9 - ARPT036-00C-1
M10 - ARPT042-00C-1
M11 - ARPT049-00C-1
M12 - ARPT061-00C-1