

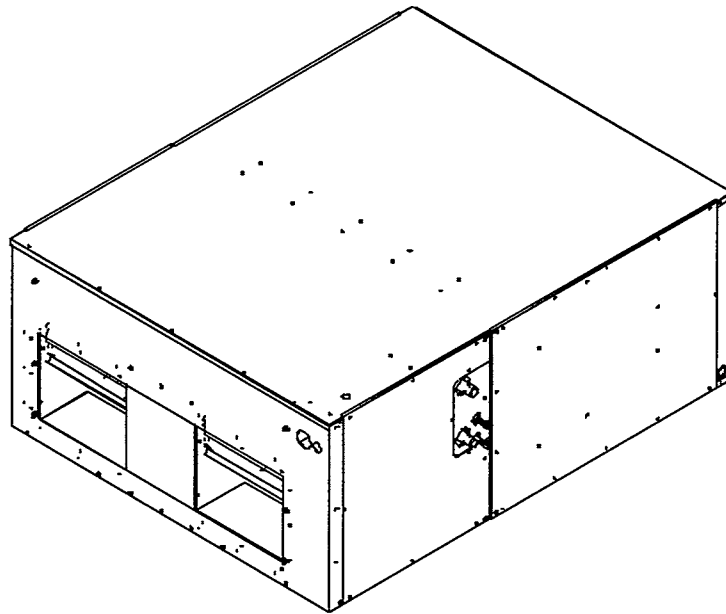


REPAIR PARTS

AR090 and AR120 Light Commercial Air Handlers



AR090
AR120



This manual is to be used by
qualified technicians only.

Made in the USA by:
Goodman Manufacturing Company
2550 North Loop West, Suite 400
Houston Texas 77092

RP-289A
February 2003

This manual replaces RP289.

Important Information

Goodman is not responsible for personal injury or property damage resulting from improper service. Review all service information before beginning repairs.

Warranty service must be performed by an authorized technician, using authorized factory parts. If service is required after the warranty expires, Goodman also recommends contacting an authorized technician and using authorized factory parts.

For assistance within the U.S.A. contact:

Consumer Affairs Department
Goodman Company LP
7401 Security Way
Houston, Texas 77040
877-254-4729-Telephone
713-863-2382-Facsimile

For assistance outside the U.S.A. contact:

International Division
Goodman Company LP
7401 Security Way
Houston, Texas 77040
713-861-2500-Telephone
713-863-2382-Facsimile

Index

Functional Parts List	5
Illustration and Parts	6 - 9

Views shown are for parts illustrations only, not servicing procedures.

Revision A replaces Bill of Materials part numbers with Service Assembly part numbers and eliminates plastic clamp.

Text Codes:

AR - As Required

NA - Not Available

NS - Not Shown

00000000 - See Note

QTY - Quantity Example (QTY 3) (If Quantity not shown, Quantity = 1)

M - Model Example (M1) (If M Code not shown, then part is used on all Models)

Expanded Model Nomenclature:

Example
M1 - Model#1
M2 - Model#2
M3 - Model#3



Functional Parts

Part

No: Description:

21005-01S	BLOWER ASSEMBLY 11" X 10" (M2) INCLUDES FIXED PITCH SHEAVE
21005-00S	BLOWER ASSEMBLY 11" X 10" (M1) INCLUDES FIXED PITCH SHEAVE
B1360315	CONTACTOR RELAY
B3240002	MOTOR (1.5HP 208/230/460V-3-60HZ) (M1)
B3240006	MOTOR (2HP 208/230/460V-3-60HZ) (M2)
B1141672	TRANSFORMER (PRI. 208/240/480V, SEC. 24V, 75 VA.)

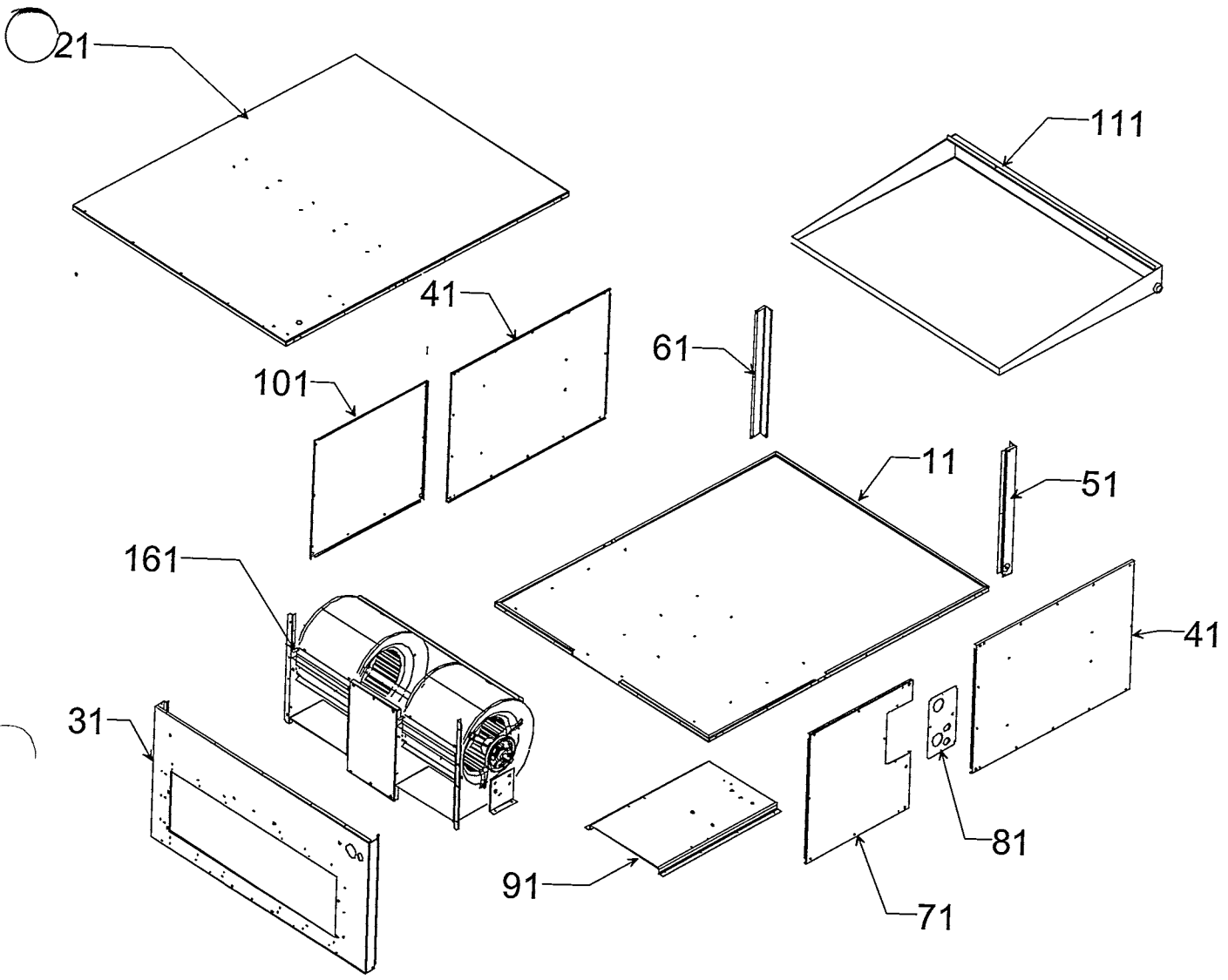
SPECIAL PARTS

IO-227	INSTALLATION & OWNERS MANUAL
RP-289A	REPAIR PARTS MANUAL
SS-358	SPECIFICATION SHEET

Expanded Model Nomenclature

M1 - AR090
M2 - AR120

Sheet Metal and Blower



Sheet Metal and Blower

Ref. Part No: No:	Description:	Ref. Part No: No:	Description:
----------------------	--------------	----------------------	--------------

Image 1:

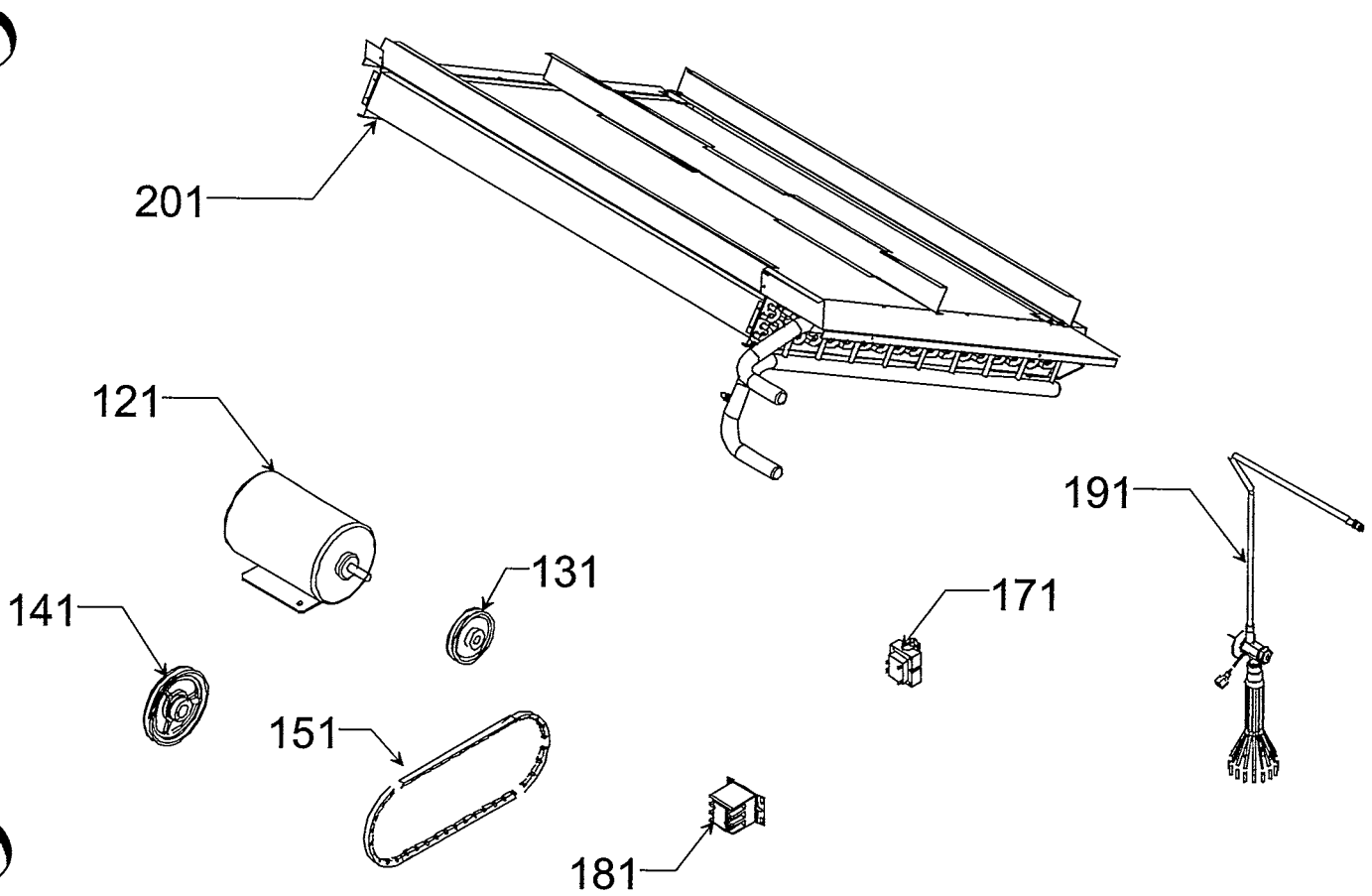
11	21900-00S	LEFT SIDE PANEL INSUL. ASM
21	21900-01S	RIGHT SIDE PANEL INSUL. ASM
31	21900-02S	TOP PANEL INSUL. ASM
41	21900-03S	LOWER ACCESS PANEL INSUL. ASM. (QTY 2)
51	21220-03	FRONT CORNER
61	21220-02	REAR CORNER
71	21900-04S	UPPER ACCESS PANEL INSUL. ASM.
81	21900-06S	BLOCK-OFF PANEL INSUL. ASM.
91	21240-01	SUPPORT PLATE
101	21900-05S	REAR PANEL INSUL. ASM.
111	21020-00S	DRAIN PAN ASSEMBLY
161	21005-00S	BLOWER ASSEMBLY 11" X 10" (M1) INCLUDES FIXED PITCH SHEAVE
161	21005-01S	BLOWER ASSEMBLY 11" X 10" (M2) INCLUDES FIXED PITCH SHEAVE

Expanded Model Nomenclature

M1 - AR090

M2 - AR120

Tubing and Electrical Components



Tubing and Electrical Components

Ref. Part No: No:	Description:	Ref. Part No: No:	Description:
----------------------	--------------	----------------------	--------------

Image 1:

121	21010-00S	COIL TUBING ASSEMBLY (M1)
121	21010-01S	COIL TUBING ASSEMBLY (M2)
121	B3240002	MOTOR (1.5HP 208/230/460V-3-60HZ) (M1)
121	B3240006	MOTOR (2HP 208/230/460V-3-60HZ) (M2)
131	B2120014	VARIABLE PITCH SHEAVE (PITCH DIA. 1.9" - 2.9" BY 5/8" BORE) (M2)
131	B2120000	VARIABLE PITCH SHEAVE (PITCH DIA. 2.8" - 3.8" BY 5/8" BORE) (M1)
141	B3204303	FIXED PITCH SHEAVE (PITCH DIA. 5.9" BY 1" BORE) (M1)
141	B3204310	FIXED PITCH SHEAVE (PITCH DIA. 6.5" BY 1" BORE) (M2)
151	B2110005	FAN BELT (39" BY 1/2") (M1)
151	B2110011	FAN BELT (41" BY 1/2") (M2)
171	B1141672	TRANSFORMER (PRI. 208/240/480V, SEC. 24V, 75 VA.)
181	B1360315	CONTACTOR RELAY
191	21592-07	LIQUID LINE AND VALVE ASM. (M1)
191	21592-05	LIQUID LINE AND VALVE ASM. #1 (M2)
191	21592-06	LIQUID LINE AND VALVE ASM. #2 (M2)

Expanded Model Nomenclature

M1 - AR090
M2 - AR120