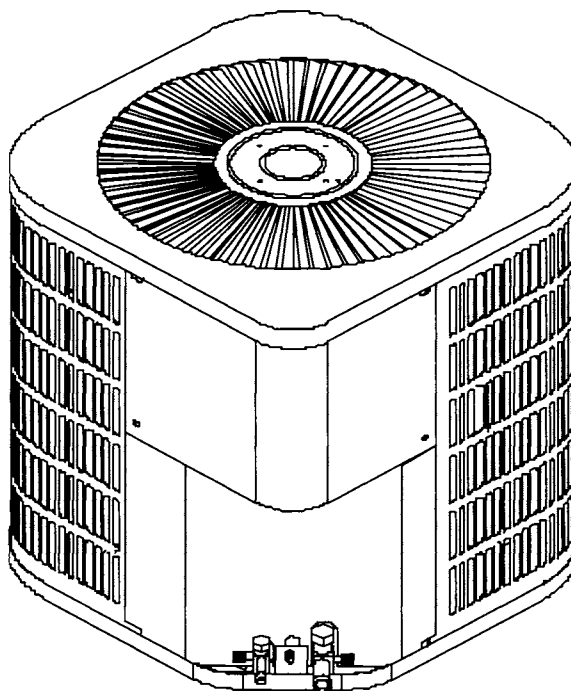


**CPLE (10 SEER) Remote
Condensing Unit Gray Painted
Cabinet**

CPLE18-1C
CPLE24-1C
CPLE30-1C
CPLE36-1C
CPLE42-1C
CPLE48-1C
CPLE48-3C
CPLE60-1C
CPLE60-3C



RP - 317
August 2004

Made in the USA by:
Goodman Manufacturing Company, L.P.
2550 North Loop West, Suite 400
Houston Texas 77092

Important Information

Goodman Manufacturing Company, L.P. is not responsible for personal injury or property damage resulting from improper service. Review all service information before beginning repairs.

Warranty service must be performed by an authorized technician, using authorized factory parts. If service is required after the warranty expires, Goodman Manufacturing Company, L.P. also recommends contacting an authorized technician and using authorized factory parts.

For assistance within the U.S.A. contact:

Consumer Affairs Department
Goodman Manufacturing Company, L.P.
7401 Security Way
Houston, Texas 77040
877-254-4729-Telephone
713-863-2382-Facsimile

For assistance outside the U.S.A. contact:

International Division
Goodman Manufacturing Company, L.P.
7401 Security Way
Houston, Texas 77040
713-861-2500-Telephone
713-863-2382-Facsimile

Index

Functional Parts List	4 - 5
Illustration and Parts	6 - 13

Views shown are for parts illustrations only, not servicing procedures.

Text Codes:

AR - As Required

NA - Not Available

NS - Not Shown

00000000 - See Note

QTY - Quantity Example (QTY 3) (If Quantity not shown, Quantity = 1)

M - Model Example (M1) (If M Code not shown, then part is used on all Models)

Expanded Model Nomenclature:

Example
M1 - Model#1
M2 - Model#2
M3 - Model#3

Functional Parts

Part

No:

Description:

B1219204	BI-FLOW, FILTER DRIER, STEEL
B945650	CAPACITOR, 5/370 (M7, M9)
B94576000	CAPACITOR, DUAL-SECTION, 25/5/370 (M1)
B94578700	CAPACITOR, DUAL-SECTION, 30/5/370 (M2)
B94575300	CAPACITOR, DUAL-SECTION, 35/5/370 (M3)
B94575500	CAPACITOR, DUAL-SECTION, 40/5/370 (M4)
B94575600	CAPACITOR, DUAL-SECTION, 40/5/440 (M5, M6)
B94577500	CAPACITOR, DUAL-SECTION, 60/5/370 (M8)
CR18K6PFV960	COMPRESSOR, CR18K6-PFV-260 (M1)
CR22K6PFV970	COMPRESSOR, CR22K6-PFV-270 (M2)
CR28K6PFV960	COMPRESSOR, CR28K6-PFV-260 (M3)
CR35K6PFV960	COMPRESSOR, CR35K6-PFV-260 (M4)
CR38K6PFV960	COMPRESSOR, CR38K6-PFV-260 (M5)
CR42K6PFV960	COMPRESSOR, CR42K6-PFV-260 (M6)
CR42K6TF5960	COMPRESSOR, CR42K6-TF5-260 (M7)
ZR57KCPFV950	COMPRESSOR, ZR57KC-PFV-250, OLD PN# B9266355 (M8)
ZR57KCTF5930	COMPRESSOR, ZR57KC-TF5-230, OLD PN# B9266353 (M9)
12622-45	CRATED COND. SERVICE COIL W/DRIER (M5)
12622-40	CRATED COND. SERVICE COIL W/DRIER (M2)
12622-48	CRATED COND. SERVICE COIL W/DRIER (M6, M7)
12622-41	CRATED COND. SERVICE COIL W/DRIER (M3)
12622-39	CRATED COND. SERVICE COIL W/DRIER (M1)
12622-44	CRATED COND. SERVICE COIL W/DRIER (M4)
12622-23	CRATED COND. SERVICE COIL W/DRIER (M8, M9)
B1226008	DEFROST CONTROL TIMER
B1086771	FAN, 3 BLADE, 18" DIA., 32°P (M1, M2, M3)
B1086770	FAN, 3 BLADE, 22" DIA., 19°P, CCW (M4, M5, M6, M7)
B1086750	FAN, 3 BLADE, 22" DIA., 24°P, CCW (M8, M9)
B2114449	FLOWRATOR (M3)
B2114459	FLOWRATOR (M4)
B2114445	FLOWRATOR (M2)
B2114684	FLOWRATOR (M8, M9)
B2114665	FLOWRATOR (M5)
B2114676	FLOWRATOR (M6, M7)
B1314341	FLOWRATOR (M1)
B13400247	MOTOR, CONDENSER, FAN, 208/230-60-1, 1 SPD, 1075 RPM, 1/4 HP (M4, M5, M6, M7, M8, M9)
B13400252	MOTOR, CONDENSER, FAN, 208/230-60-1, 1 SPD, 1075 RPM, 1/6 HP (M1, M2, M3)
B1225020	SOLENOID COIL CORD
B1360719	SWITCH, LOW PRESSURE
B1370803	THERMOSTAT, DEFROST
B1227316	VALVE REVERSING (M3, M4)
B1227317	VALVE REVERSING (M5, M6, M7, M8, M9)
B1227314	VALVE REVERSING (M1, M2)

Functional Parts

Part

No: Description:

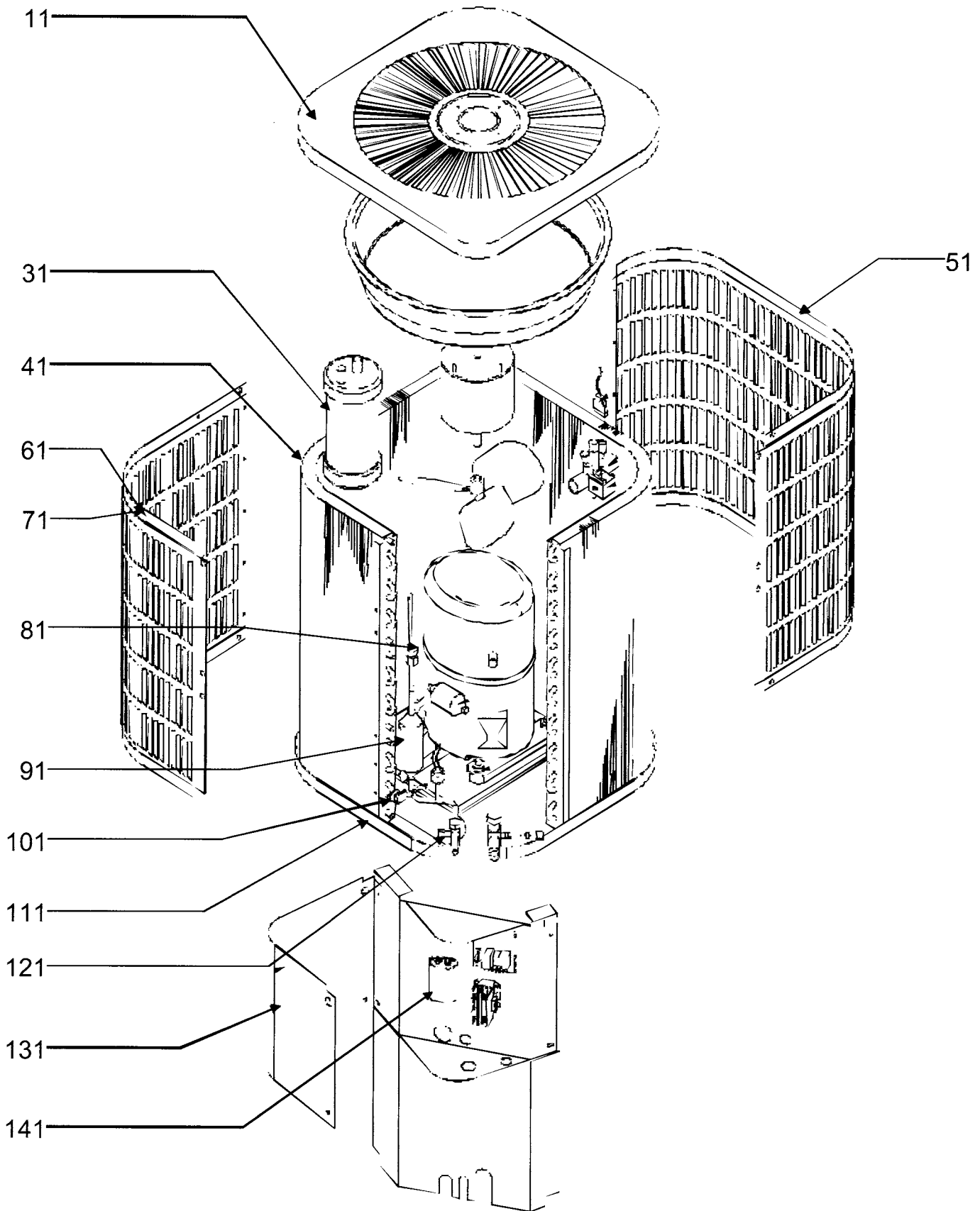
SPECIAL PARTS

IO-103	INSTALLATION & OWNERS MANUAL
RP-317	REPAIR PARTS MANUAL
SS-334	SPECIFICATION SHEET
B260S8292	SPRAY PAINT, DARK GRAY

Expanded Model Nomenclature

M1 - CPLE18-1C
M2 - CPLE24-1C
M3 - CPLE30-1C
M4 - CPLE36-1C
M5 - CPLE42-1C
M6 - CPLE48-1C
M7 - CPLE48-3C
M8 - CPLE60-1C
M9 - CPLE60-3C

Louvered Chassis & Control 18 - 30°C



Louvered Chassis & Control 18 - 30*C)

Ref. Part No: No:	Description:	Ref. Part No: No:	Description:
-------------------	--------------	-------------------	--------------

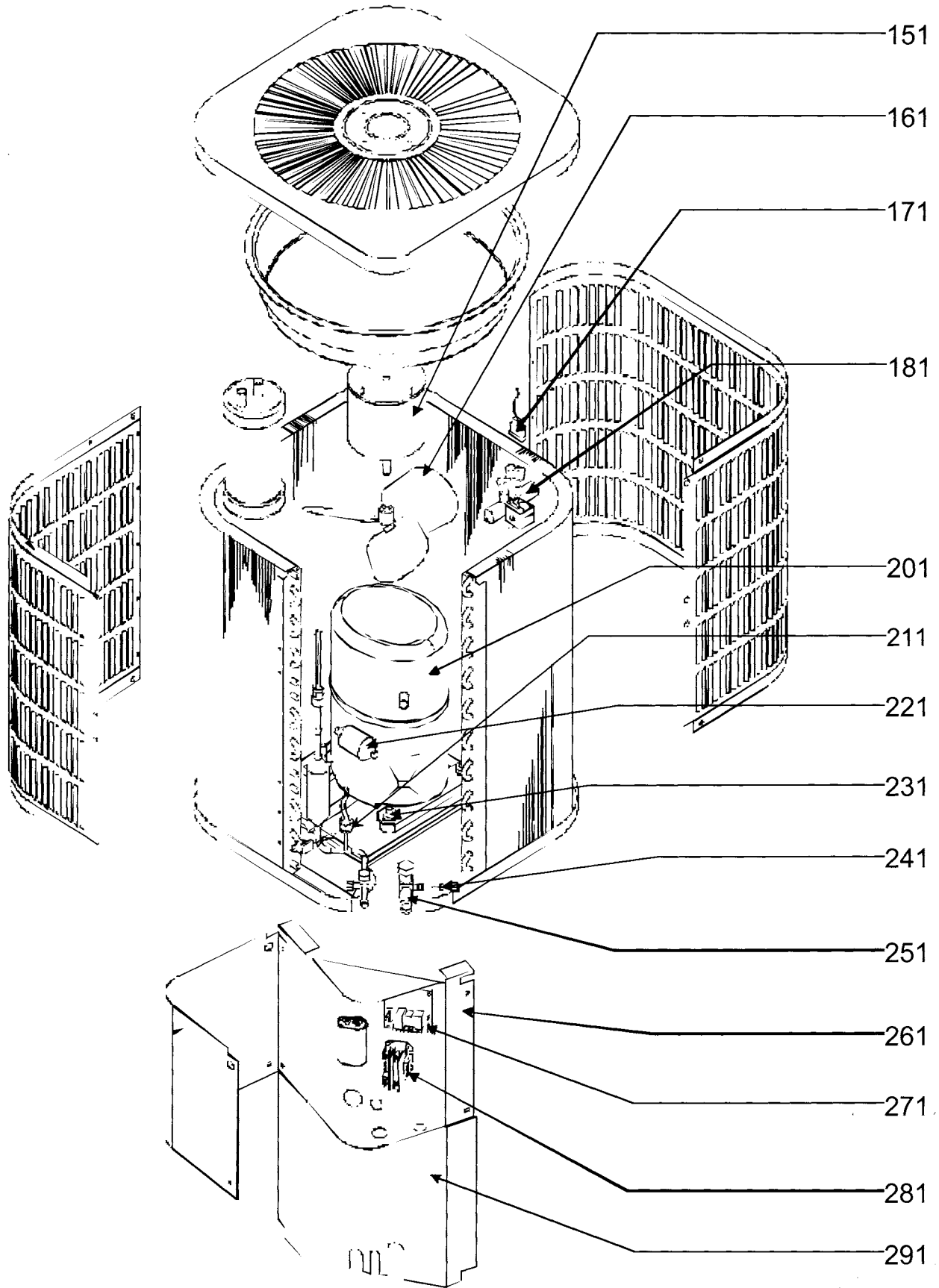
Image 1:

11	1779405PDG	PANEL, TOP, (LOUVERED) (M1, M2, M3)
31	B1226208	ACCUMULATOR (M3)
31	B1226205	ACCUMULATOR, .625 (M1, M2)
41	12622-39	CRATED COND. SERVICE COIL W/DRIER (M1)
41	12622-40	CRATED COND. SERVICE COIL W/DRIER (M2)
41	12622-41	CRATED COND. SERVICE COIL W/DRIER (M3)
51	1259553PDG	LOUVERED PANEL, HAIRPIN SIDE (M2, M3)
61	1259558PDG	LOUVERED PANEL, RETURN SIDE (M2, M3)
71	1259574PDG	LOUVERED PANEL, ONE PIECE LOUVER (M1)
81	B1314341	FLOWRATOR (M1)
81	B2114445	FLOWRATOR (M2)
81	B2114449	FLOWRATOR (M3)
91	B1219204	BI-FLOW, FILTER DRIER, STEEL (M1, M2, M3)
101	B1370803	THERMOSTAT, DEFROST (M1, M2, M3)
111	1787211PDG	PAN, BOTTOM, (SMALL) (M1, M2, M3)
121	B12825171	BASE VALVE, LIQUID LINE, 3/8" X 5/16" (M1, M2, M3)
131	1787624PDG	CONTROL BOX COVER (M1, M2, M3)
141	B94576000	CAPACITOR, DUAL-SECTION, 25/5/370 (M1)
141	B94578700	CAPACITOR, DUAL-SECTION, 30/5/370 (M2)
141	B94575300	CAPACITOR, DUAL-SECTION, 35/5/370 (M3)

Expanded Model Nomenclature

- | |
|----------------|
| M1 - CPLE18-1C |
| M2 - CPLE24-1C |
| M3 - CPLE30-1C |
| M4 - CPLE36-1C |
| M5 - CPLE42-1C |
| M6 - CPLE48-1C |
| M7 - CPLE48-3C |
| M8 - CPLE60-1C |
| M9 - CPLE60-3C |

Louvered Chassis & Control (18 - 30°C)



Louvered Chassis & Control (18 - 30°C)

Ref. Part No:	Ref. Part No:	Description:	Description:
---------------	---------------	--------------	--------------

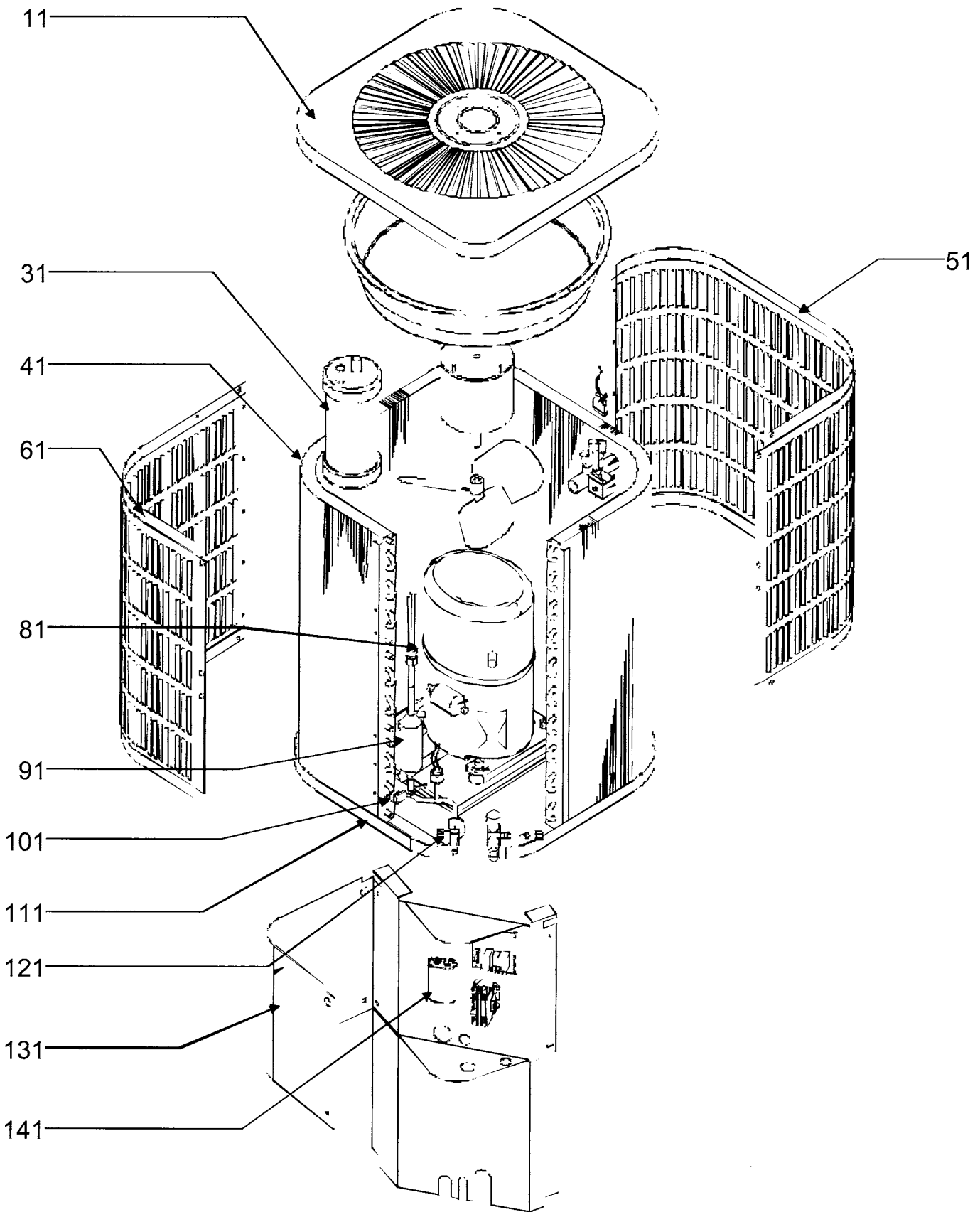
Image 1:

151	B13400252	MOTOR, CONDENSER, FAN, 208/230-60-1, 1 SPD, 1075 RPM, 1/6 HP (M1, M2, M3)
161	B1086771	FAN, 3 BLADE, 18" DIA., 32°P (M1, M2, M3)
171	B1225020	SOLENOID COIL CORD (M1, M2, M3)
181	B1227314	VALVE REVERSING (M1, M2)
181	B1227316	VALVE REVERSING (M3)
201	CR18K6PFV960	COMPRESSOR, CR18K6-PFV-260 (M1)
201	CR22K6PFV970	COMPRESSOR, CR22K6-PFV-270 (M2)
201	CR28K6PFV960	COMPRESSOR, CR28K6-PFV-260 (M3)
211	B1360719	SWITCH, LOW PRESSURE (M1, M2, M3)
221	B1319301	MUFFLER, 1/2" X 1/2" (M3)
221	B1219300	MUFFLER, 3/8" X 3/8" (M1, M2)
231	B1339530	GROMMET, COMPRESSOR (M1, M2, M3)
241	B1787000	CORE, VALVE (M1, M2, M3)
251	B12825166	BASE VALVE, SUCTION LINE, 3/4" X 3/4" (M1, M2, M3)
261	1787623	CONTROL BOX (M1, M2, M3)
271	B1226008	DEFROST CONTROL TIMER (M1, M2, M3)
281	B1360321	CONTACTOR, 25 AMP, 1 POLE (M1, M2, M3)
291	1787706PDG	PANEL, ACCESS, 22.5" (M1)
291	1787709PDG	PANEL, ACCESS, 30.0" (M2, M3)
NS	B260S8292	SPRAY PAINT, DARK GRAY

Expanded Model Nomenclature

M1 - CPLE18-1C
M2 - CPLE24-1C
M3 - CPLE30-1C
M4 - CPLE36-1C
M5 - CPLE42-1C
M6 - CPLE48-1C
M7 - CPLE48-3C
M8 - CPLE60-1C
M9 - CPLE60-3C

Louvered Chassis & Control (36 - 60°C)



Louvered Chassis & Control (36 - 60°C)

Ref. Part No:	Description:	Ref. Part No:	Description:
---------------	--------------	---------------	--------------

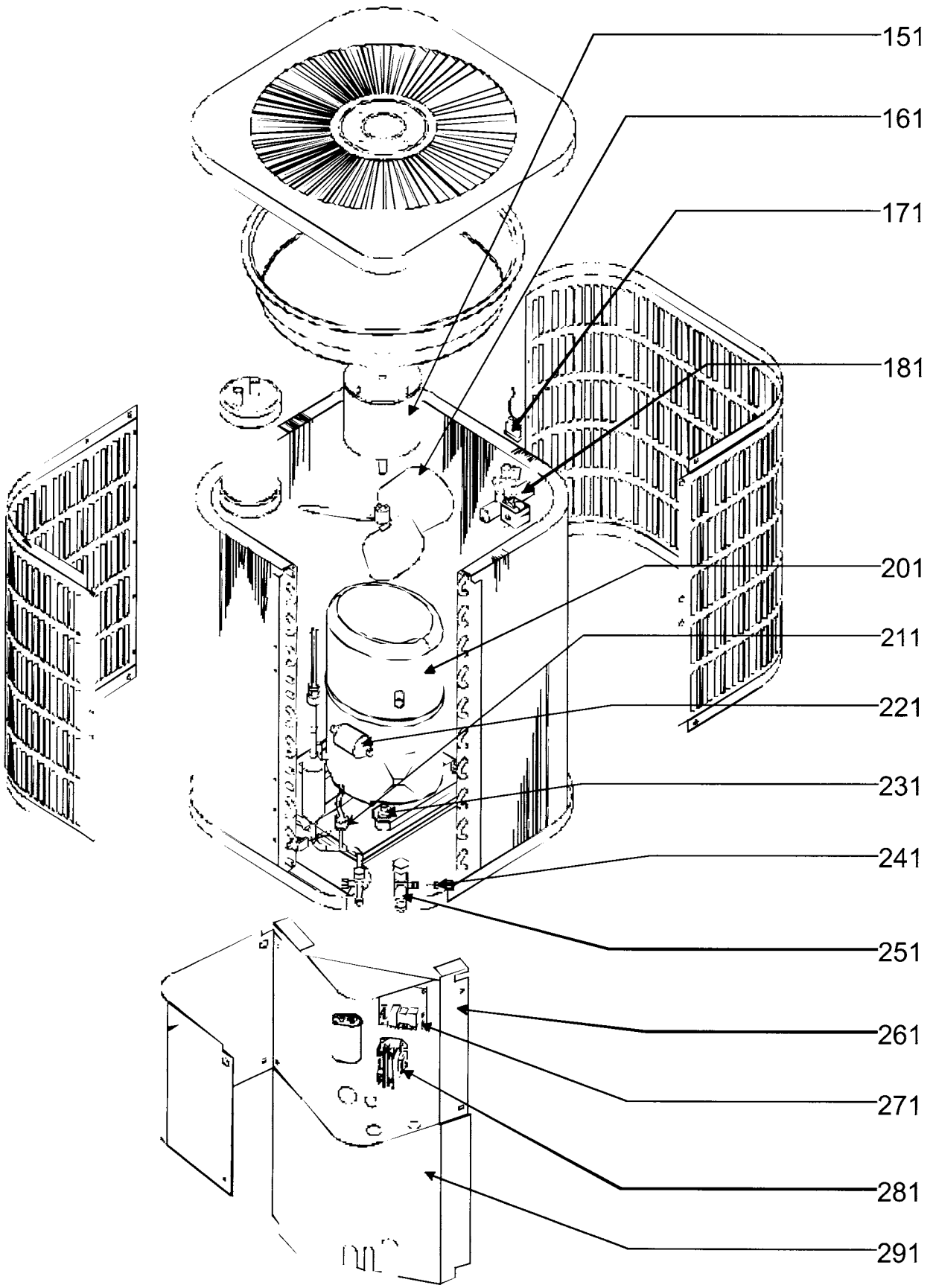
Image 1:

11	1779406PDG	PANEL, TOP, (LOUVERED) (M4, M5, M6, M7, M8, M9)
31	B1226206	ACCUMULATOR (M4)
31	B1226207	ACCUMULATOR (M5, M6, M7, M8, M9)
41	12622-23	CRATED COND. SERVICE COIL W/DRIER (M8, M9)
41	12622-44	CRATED COND. SERVICE COIL W/DRIER (M4)
41	12622-45	CRATED COND. SERVICE COIL W/DRIER (M5)
41	12622-48	CRATED COND. SERVICE COIL W/DRIER (M6, M7)
51	1259560PDG	LOUVERED PANEL, HAIRPIN SIDE (M4)
51	1259561PDG	LOUVERED PANEL, HAIRPIN SIDE (M5)
51	1259569PDG	LOUVERED PANEL, HAIRPIN SIDE (M6, M7, M8, M9)
61	1259564PDG	LOUVERED PANEL, RETURN SIDE (M4)
61	1259565PDG	LOUVERED PANEL, RETURN SIDE (M5)
61	1259572PDG	LOUVERED PANEL, RETURN SIDE (M6, M7, M8, M9)
81	B2114459	FLOWRATOR (M4)
81	B2114665	FLOWRATOR (M5)
81	B2114676	FLOWRATOR (M6, M7)
81	B2114684	FLOWRATOR (M8, M9)
91	B1219204	BI-FLOW, FILTER DRIER, STEEL (M4, M5, M6, M7, M8, M9)
101	B1370803	THERMOSTAT, DEFROST (M4, M5, M6, M7, M8, M9)
111	1787212PDG	PAN, BOTTOM, (LARGE) (M4, M5, M6, M7, M8, M9)
121	B12825171	BASE VALVE, LIQUID LINE, 3/8" X 5/16" (M4, M5, M6, M7, M8, M9)
131	1787624PDG	CONTROL BOX COVER (M4, M5, M6, M7, M8, M9)
141	B945650	CAPACITOR, 5/370 (M7, M9)
141	B94575500	CAPACITOR, DUAL-SECTION, 40/5/370 (M4)
141	B94575600	CAPACITOR, DUAL-SECTION, 40/5/440 (M5, M6)
141	B94577500	CAPACITOR, DUAL-SECTION, 60/5/370 (M8)

Expanded Model Nomenclature

- | |
|----------------|
| M1 - CPLE18-1C |
| M2 - CPLE24-1C |
| M3 - CPLE30-1C |
| M4 - CPLE36-1C |
| M5 - CPLE42-1C |
| M6 - CPLE48-1C |
| M7 - CPLE48-3C |
| M8 - CPLE60-1C |
| M9 - CPLE60-3C |

Louvered Chassis & Control (36 - 60°C)



Louvered Chassis & Control (36 - 60°C)

Ref. Part No: No:	Description:	Ref. Part No: No:	Description:
-------------------	--------------	-------------------	--------------

Image 1:

151	B13400247	MOTOR, CONDENSER, FAN, 208/230-60-1, 1 SPD, 1075 RPM, 1/4 HP (M4, M5, M6, M7, M8, M9)
161	B1086770	FAN, 3 BLADE, 22" DIA., 19°P, CCW (M4, M5, M6, M7)
161	B1086750	FAN, 3 BLADE, 22" DIA., 24°P, CCW (M8, M9)
171	B1225020	SOLENOID COIL CORD (M4, M5, M6, M7, M8, M9)
181	B1227316	VALVE REVERSING (M4)
181	B1227317	VALVE REVERSING (M5, M6, M7, M8, M9)
201	CR35K6PFV960	COMPRESSOR, CR35K6-PFV-260 (M4)
201	CR38K6PFV960	COMPRESSOR, CR38K6-PFV-260 (M5)
201	CR42K6PFV960	COMPRESSOR, CR42K6-PFV-260 (M6)
201	CR42K6TF5960	COMPRESSOR, CR42K6-TF5-260 (M7)
201	ZR57KCPFV950	COMPRESSOR, ZR57KC-PFV-250, OLD PN# B9266355 (M8)
201	ZR57KCTF5930	COMPRESSOR, ZR57KC-TF5-230, OLD PN# B9266353 (M9)
211	B1360719	SWITCH, LOW PRESSURE (M4, M5, M6, M7, M8, M9)
221	B1219301	MUFFLER, 1/2" X 1/2" (M4, M5, M6, M7, M8, M9)
231	B1339530	GROMMET, COMPRESSOR (M4, M5, M6, M7)
231	B1339533	GROMMET, COMPRESSOR (M8, M9)
241	B1877000	CORE, VALVE (M4, M5, M6, M7, M8, M9)
251	B12825166	BASE VALVE, SUCTION LINE, 3/4" X 3/4" (M4)
251	B12825167	BASE VALVE, SUCTION LINE, 7/8" X 7/8" (M5, M6, M7, M8, M9)
261	1787623	CONTROL BOX (M4, M5, M6, M7, M8, M9)
271	B1226008	DEFROST CONTROL TIMER (M4, M5, M6, M7, M8, M9)
281	B1360321	CONTACTOR, 25 AMP, 1 POLE (M4, M5)
281	B1360315	CONTACTOR, 25 AMP, 3 POLE (M7, M9)
281	B1360324	CONTACTOR, 30 AMP, 1 POLE (M6)
281	B1360305	CONTACTOR, 40 AMP, 2 POLE (M8)
291	1787707PDG	PANEL, ACCESS, 25.5" (M4)
291	1787709PDG	PANEL, ACCESS, 30.0" (M5)
291	1787710PDG	PANEL, ACCESS, 32.5" (M6, M7, M8, M9)
NS	B260S8292	SPRAY PAINT, DARK GRAY (M4, M5, M6, M7, M8, M9)

Expanded Model Nomenclature

M1 - CPLE18-1C
M2 - CPLE24-1C
M3 - CPLE30-1C
M4 - CPLE36-1C
M5 - CPLE42-1C
M6 - CPLE48-1C
M7 - CPLE48-3C
M8 - CPLE60-1C
M9 - CPLE60-3C