

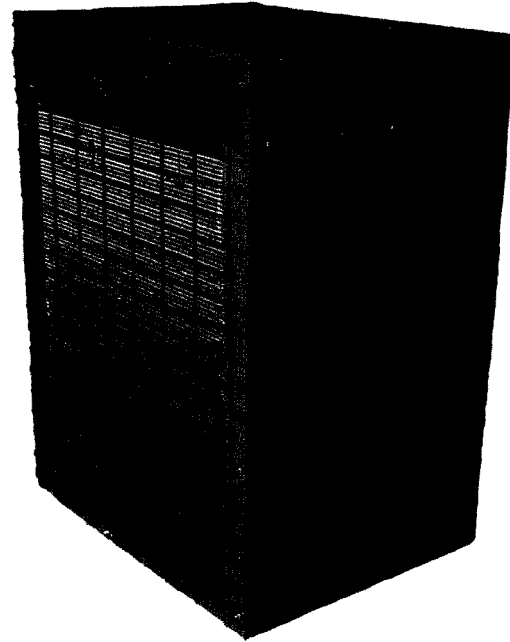


Air Conditioning & Heating

TWC SERIES
10 SEER

Through-the-Wall
Air Conditioner

1½ to 2½ Ton



The TWC through-the-wall air conditioner is designed for wall-mount application.



Standard Features

- Hermetically sealed compressor (scroll compressor for 2 and 2½ ton models)
- Quiet operating rear discharge
- Totally enclosed and permanently lubricated condenser motor
- Copper tube/aluminum fin coil
- Brass suction and liquid service valves
- Fully charged for 15' of tubing length
- Factory-installed liquid line filter drier
- Contactor with ground lug connection

Air Handler and Coil Compatibilities

- ARPT, ARUF, and AEPT multi-position electric heat air handlers
- ARPF dedicated downflow electric heat air handler
- AWB vertical wall-mounted electric heat air handler
- AH vertical wall-mounted hydronic heat air handler
- AC ceiling-mounted electric heat air handler
- ACHP ceiling-mounted hydronic heat air handler
- MBR/MBE modular blower
- CA and CH fan-less indoor coils
- U and UC fan-less indoor coils designed to fit our furnace units for cooling applications

Cabinet Construction

- Polyester powder paint finish provides premium durability and improved UV protection
- Heavy-gauge, zinc-clad, G90 galvanized steel
- Cabinet design allows coil removal from front of cabinet without removing chassis from wall

Accessories

- Standard room thermostat with 1 stage cool/1 stage heat (CHT18-60)
- Sound blanket

TWC18-1	CSB-10
TWC24-1	CSB-11
TWC24-1 REV A	CSB-13
TWCR30-1	CSB-12
- Architectural grille available in anodized aluminum finish (AG-01) or painted finish (AG-02); grilles to be ordered directly from Reliable Metal at (800/239-4621)

NOTE: The use of any grille other than the AG-01 or AG-02 will void warranty.



PRODUCT SPECIFICATIONS

Specifications

Model	Service Valve		Type	Approximate Shipping Weight (pounds)
	Liquid	Suction		
TWC18-1A/-1B	3/8"	3/4"	Sweat	185
TWC24-1/-1B	3/8"	3/4"	Sweat	185
TWCR30-1/-1B	3/8"	3/4"	Sweat	190

Electrical Data

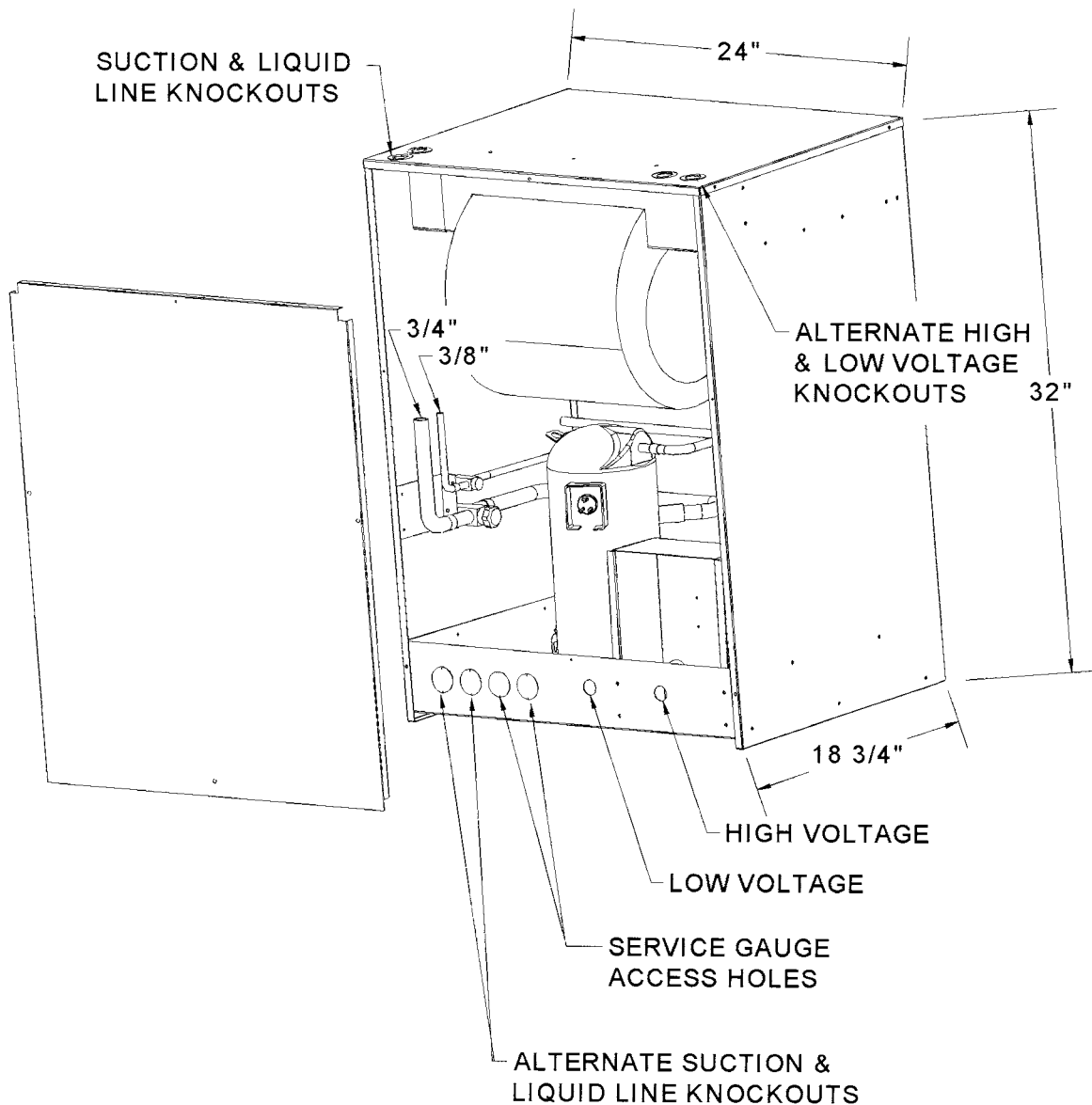
Model	Volts	PH	Minimum Circuit Ampacity ¹	Maximum Overcurrent Protection ²	Maximum Volts	Minimum Volts	Compressor		Condenser Fan	
							RLA	LRA	FLA	HP
TWC18-1A/-1B	208/230	1	12.0	20	253	197	8.6	49	1.2	1/4
TWC24-1/-1B	208/230	1	16.0	20	253	197	11.85	59	1.2	1/4
TWCR30-1/-1B	208/230	1	18.2	30	253	197	13.6	67	1.2	1/4

1) Wire size should be determined in accordance with National Electrical Codes. Extensive wire runs will require larger wire sizes.

2) May use fuses or HACR type Circuit Breakers of the same size as noted.

3) The -*B models are painted Architectural Gray. All other models are painted Bahama Beige.

Dimensions



PRODUCT SPECIFICATIONS

Performance Ratings

Condenser	Evaporator Model	Total BTUH	Sensible BTUH	SEER	EER	ARI Ref. #	Decibel
TWC18-1A/-1B	AH2429-1	18,000	13,000	10	9	504162	75
	AC18-XX	18,000	13,000	10	9	504163	
	AWB18-XX	17,400	12,400	10	9	233774	
	ACHP1819-1	17,400	12,400	10	9	504157	
	AWB18-XX	17,400	12,400	10	9	504158	
	U18/UC18+EEP	17,000	12,300	10	9	292093	
	U18/UC18+EEP	17,000	12,300	10	9	467415	
	CA*F018*2A+EEP	17,000	12,300	10	9	467684	
	ARUF018-00A-1	17,000	12,300	10	9	504161	
TWC24-1/-1B	AC30-XX	24,000	17,600	10	9	233795	73
	CA*F030*2A+EEP	24,000	17,600	10	9	467685	
	U31+EEP	24,000	17,600	10	9	467686	
	ACH30	23,400	17,000	10	9	233787	
	AWB24-XX	23,400	17,000	10	9	233788	
	AC24-XX	23,400	17,000	10	9	233793	
	AH3043-1	23,400	17,000	10	9	233801	
	ACHP3028-1	23,400	17,000	10	9	292095	
	ARUF024-00A-1	23,000	16,800	10	9	461471	
TWC30-1/-1B	AEPT030-00A-1	27,400	20,200	10	9	461474	73

- 1) Seasonal Energy Efficiency Ratio
- 2) Energy Efficiency Ratio @ 80 °F/67 °F Inside; 95 °F outside
- 3) When matching the outdoor unit to the indoor unit, refer to the piston kit chart for proper piston selection.
- 4) The XX of a model number designates electric heat quantity.

PRODUCT SPECIFICATIONS



Goodman Manufacturing Company, L.P., reserves the right to discontinue, or change at any time, specifications or designs without notice or without incurring obligations.
Copyright © 2004 Goodman Manufacturing Company, L.P. • Houston, Texas • Printed in the USA. • Goodman® brand products are made proudly in the USA.