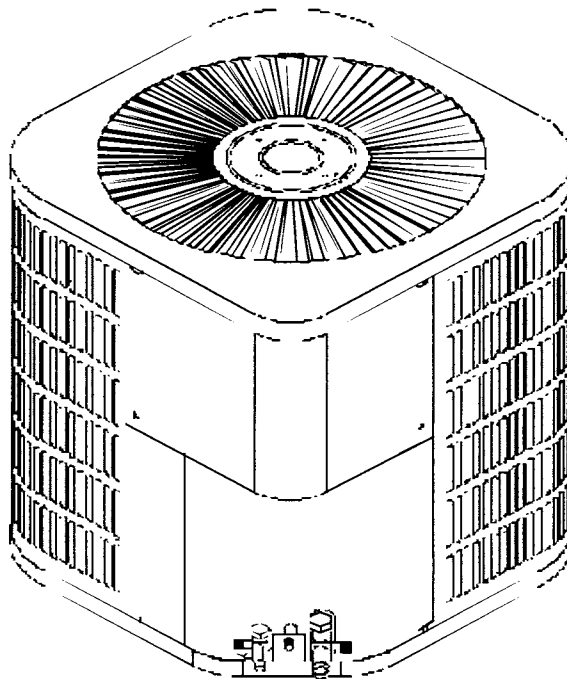




REPAIR PARTS

CKL*L 10 SEER Remote Condensing Units Gray Color Units

- CKL18-1L
- CKL24-1L
- CKL30-1L
- CKL36-1L
- CKL36-3L
- CKL42-1L
- CKL49-1L
- CKL49-3L
- CKL60-1L
- CKL60-3L
- CKL60-4L
- CKL62-1L



RP - 259
August 2004

This manual is to be used by qualified technicians only.

Made in the USA by:
Goodman Manufacturing Company, L.P.
2550 North Loop West, Suite 400
Houston Texas 77092

Copyright ©2004 Goodman Manufacturing Company, L.P.

Important Information

Goodman Manufacturing Company, L.P. is not responsible for personal injury or property damage resulting from improper service. Review all service information before beginning repairs.

Warranty service must be performed by an authorized technician, using authorized factory parts. If service is required after the warranty expires, Goodman Manufacturing Company, L.P. also recommends contacting an authorized technician and using authorized factory parts.

For assistance within the U.S.A. contact:
Consumer Affairs Department
Goodman Manufacturing Company, L.P.
7401 Security Way
Houston, Texas 77040
877-254-4729-Telephone
713-863-2382-Facsimile

For assistance outside the U.S.A. contact:
International Division
Goodman Manufacturing Company, L.P.
7401 Security Way
Houston, Texas 77040
713-861-2500-Telephone
713-863-2382-Facsimile

Index

Functional Parts List	4 - 5
Illustration and Parts	6 - 9

Views shown are for parts illustrations only, not servicing procedures.

Text Codes:

AR - As Required

NA - Not Available

NS - Not Shown

00000000 - See Note

QTY - Quantity Example (QTY 3) (If Quantity not shown, Quantity = 1)

M - Model Example (M1) (If M Code not shown, then part is used on all Models)

Expanded Model Nomenclature:

Example

M1 - Model#1

M2 - Model#2

M3 - Model#3

Functional Parts

Part

No: Description:

B945650	CAPACITOR, 5/370 (M5, M8, M10, M11)
B94575600	CAPACITOR, DUAL SECTION 40/5/440 (M6, M7)
B94577400	CAPACITOR, DUAL SECTION 50/5/370 (M4)
B94577500	CAPACITOR, DUAL-SECTION 60/5/370 (M9)
B94577700	CAPACITOR, DUAL-SECTION 70/5/370 (M12)
B94576000	CAPACITOR, DUAL-SECTION, 25/5/370 (M1)
B94578700	CAPACITOR, DUAL-SECTION, 30/5/370 (M2)
B94575300	CAPACITOR, DUAL-SECTION, 35/5/370 (M3)
CR16KFPFV930	COMPRESSOR-COPELAND (M1)
CR28K6PFV920	COMPRESSOR-COPELAND (M3)
CR22KFPFV930	COMPRESSOR-COPELAND (M2)
CR34K6PFV920	COMPRESSOR-COPELAND CR34K6-PFV-220 (M4)
CR35K6TF5920	COMPRESSOR-COPELAND CR35K6-TF5-230, 3-PHASE (M5)
CR38K6PFV920	COMPRESSOR-COPELAND CR38K6-PFV-220 (M6)
CR42K6PFV920	COMPRESSOR-COPELAND CR42K6-PFV-223 (M7)
CR42K6TF5920	COMPRESSOR-COPELAND CR42K6-TF5-220 (M8)
ZR57KCPFV950	COMPRESSOR-COPELAND ZR57KC-PFV-250 (M9)
	OLD PN# B9266355
ZR57KCTF5930	COMPRESSOR-COPELAND ZR57KC-TF5-230 (M10)
	OLD PN# B9266353
ZR57KCTFD930	COMPRESSOR-COPELAND ZR57KC-TFD-230 (M11)
	OLD PN# B9266354
ZR61KCPFV950	COMPRESSOR-COPELAND ZR61KC-PFV-250 (M12)
	OLD PN# B9266359
12621-01	CRATED SERVICE COIL W/ FILTER DRIER (M1)
12625-19	CRATED SERVICE COIL W/ FILTER DRIER (M4, M5)
12625-05	CRATED SERVICE COIL W/ FILTER DRIER (M6)
12621-02	CRATED SERVICE COIL W/ FILTER DRIER (M2, M3)
12621-10	CRATED SERVICE COILS W/FILTER DRIER (M9, M10, M11)
12621-09	CRATED SERVICE COILS W/FILTER DRIER (M7, M8)
12621-18	CRATED SERVICE COILS W/FILTER DRIER (M12)
B1219212	DRIER FILTER, STEEL, SINGLE FLOW (M1, M2, M3, M4, M5, M6)
B1219225	DRIER, FILTER (M7, M8, M9, M10, M11, M12)
B1086770	FAN,COND., 3 BLADE (M7, M8)
B1086750	FAN,COND., 3 BLADE 22" DIA, 30° PITCH (M9, M10, M11)
B1086748	FAN,COND., 3 BLADE 22" DIA, 30° PITCH (M12)
B1086771	FAN,COND., 3 BLADE, 18" DIA., (M1, M2, M3, M4, M5, M6)
B13400248	MOTOR, COND., 208/230/60-1, 1/3 HP, 1 SPD, 1075 RPM (M12)
B13400247	MOTOR, COND., 208/230/60-1, 1/4 HP, 1 SPD, 1075 RPM (M7, M8, M9, M10)
B13400269	MOTOR, COND., 380/460/50-60/1, 1/4 HP, 1 SPD, 950-1050 RPM (M11)
B13400251	MOTOR, COND., FAN 208-230-60-1 1/6 HP, 1 SPD, PSC, 1075 RPM (M5)
B13400252	MOTOR, COND., FAN,208/230-60-1, 1/6 HP, 1 SPD, PSC, 1075 RPM (M1, M2, M3, M4, M6)

Functional Parts

Part

No: Description:

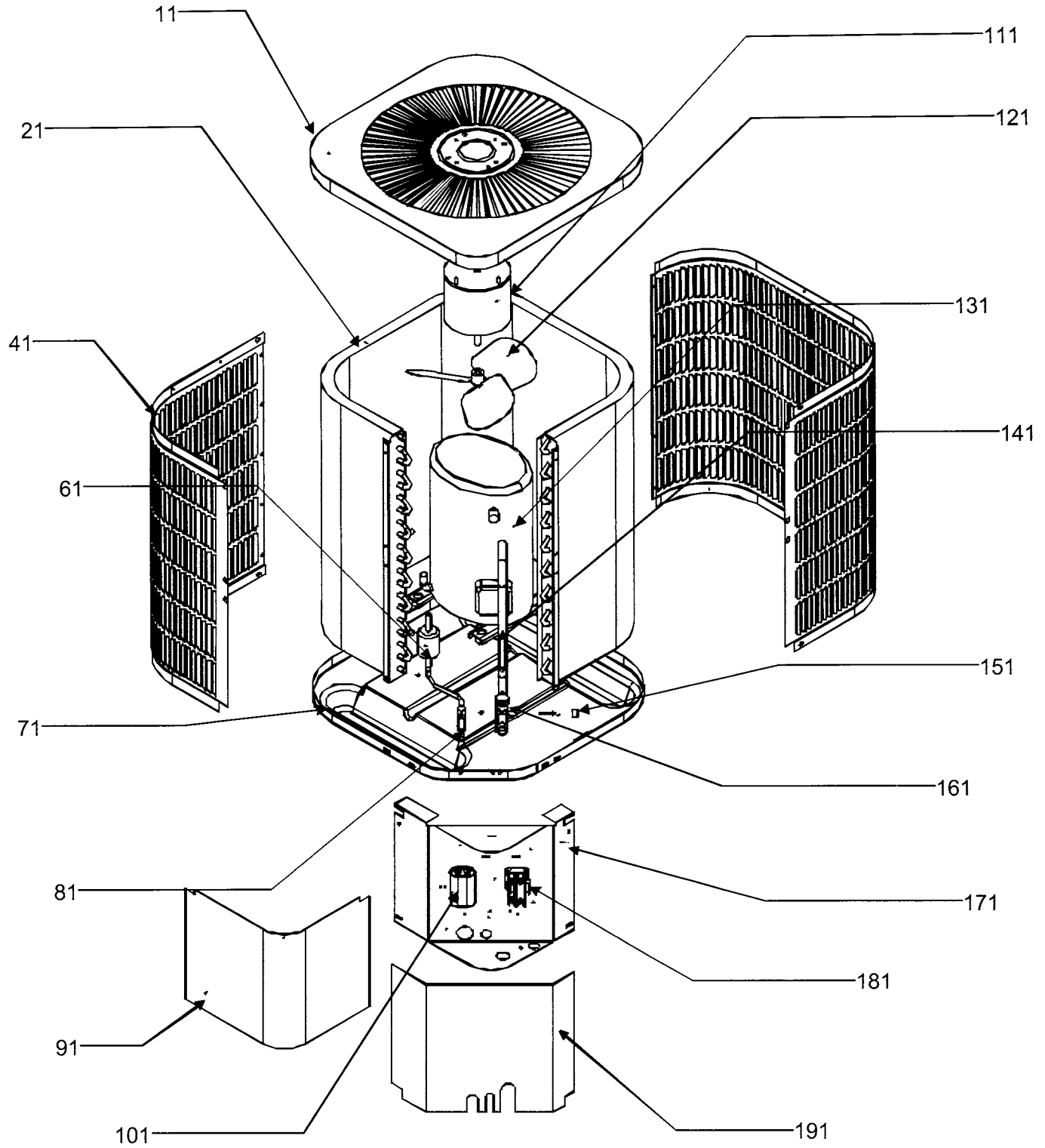
SPECIAL PARTS

B9102098 3/8" VALVE CAP WITH O'RING (100 IN A PACK) (M1, M2, M3)
IO-101 MANUAL, INSTALLATION AND OPERATION
RP-259 MANUAL, PARTS
SS-265 SPECIFICATION SHEET
B260S8292 SPRAY PAINT (ARCHITECTURAL GRAY) (M7, M8, M9, M10, M11, M12)
PW-312 WARRANTY, PRODUCT

Expanded Model Nomenclature

M1 - CKL18-1L
M2 - CKL24-1L
M3 - CKL30-1L
M4 - CKL36-1L
M5 - CKL36-3L
M6 - CKL42-1L
M7 - CKL49-1L
M8 - CKL49-3L
M9 - CKL60-1L
M10 - CKL60-3L
M11 - CKL60-4L
M12 - CKL62-1L

CKL18 - 30*L Chassis and Control Box



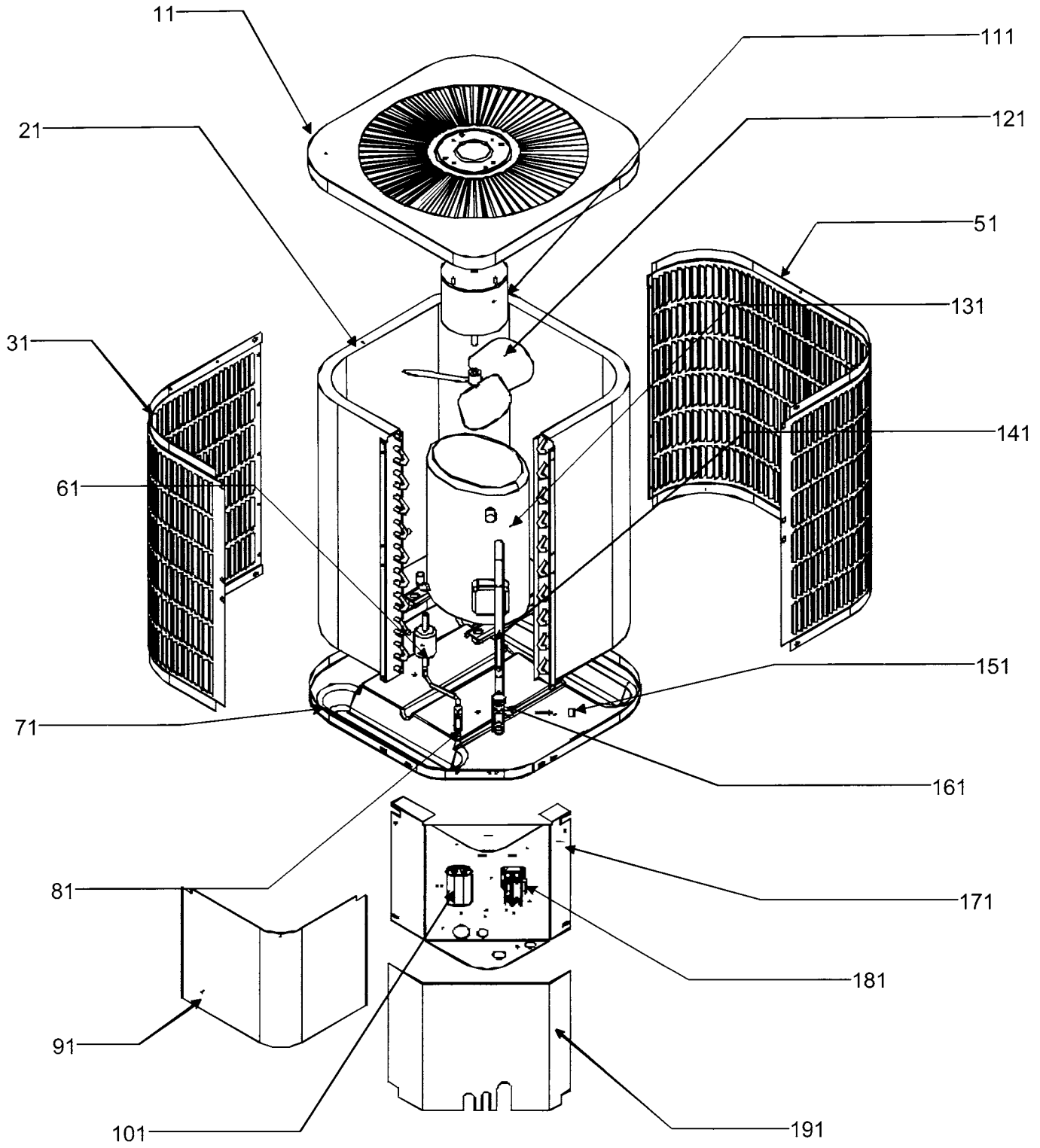
CKL18 - 30*L Chassis and Control Box

Ref. Part No: No:	Description:	Ref. Part No: No:	Description:
<i>Image 1:</i>			
11	1779405PDG		PANEL, TOP (LOUVERED) (M1, M2, M3)
21	12621-01		CRATED SERVICE COIL W/ FILTER DRIER (M1)
21	12621-02		CRATED SERVICE COIL W/ FILTER DRIER (M2, M3)
41	1259574PDG		LOUVER SIDE PANEL, 22.5 *SINGLE PIECE LOUVER (M1, M2, M3)
61	B1219212		DRIER FILTER,STEEL, SINGLE-FLOW (M1, M2, M3)
71	1787211PDG		BOTTOM PAN ASSEMBLY (M1, M2, M3)
81	B12825171		VALVE, BASE,LIQUID LINE 3/8" X 5/16" (M1, M2, M3)
91	1787624PDG		COVER, CONTROL BOX (M1, M2, M3)
101	B94576000		CAPACITOR, DUAL-SECTION, 25/5/370 (M1)
101	B94578700		CAPACITOR, DUAL-SECTION, 30/5/370 (M2)
101	B94575300		CAPACITOR, DUAL-SECTION, 35/5/370 (M3)
111	B13400252		MOTOR, COND., FAN,208/230-60-1, 1/6 HP, 1 SPD, PSC, 1075 RPM (M1, M2, M3)
121	B1086771		FAN,COND., 3 BLADE, 18" DIA., (M1, M2, M3)
131	CR16KFPFV930		COMPRESSOR-COPELAND (M1)
131	CR22KFPFV930		COMPRESSOR-COPELAND (M2)
131	CR28K6PFV920		COMPRESSOR-COPELAND (M3)
141	B1339530		GROMMET, COMPRESSOR (M1, M2, M3)
151	B1787000		CORE,VALVE (M1, M2, M3)
161	B12825166		VALVE,BASE,SUCTION LINE 3/4" X 3/4" (M1, M2, M3)
171	1787623		BOX,CONTROL (M1, M2, M3)
181	B1360321		CONTACTOR, 25 AMP 1 POLE 277 VOLT, 24V COIL (M1, M2, M3)
191	1787706PDG		PANEL ACCESS, 22.5" (M1, M2, M3)
NS	B9102098		3/8" VALVE GAP WITH O'RING (100 IN A PACK) (M1, M2, M3)
NS	B260S8292		SPRAY PAINT (ARCHITECTURAL GRAY) (M1, M2, M3)

Expanded Model Nomenclature

M1 - CKL18-1L
M2 - CKL24-1L
M3 - CKL30-1L
M4 - CKL36-1L
M5 - CKL36-3L
M6 - CKL42-1L
M7 - CKL49-1L
M8 - CKL49-3L
M9 - CKL60-1L
M10 - CKL60-3L
M11 - CKL60-4L
M12 - CKL62-1L

CKL36 - 42*L Chassis and Control Box



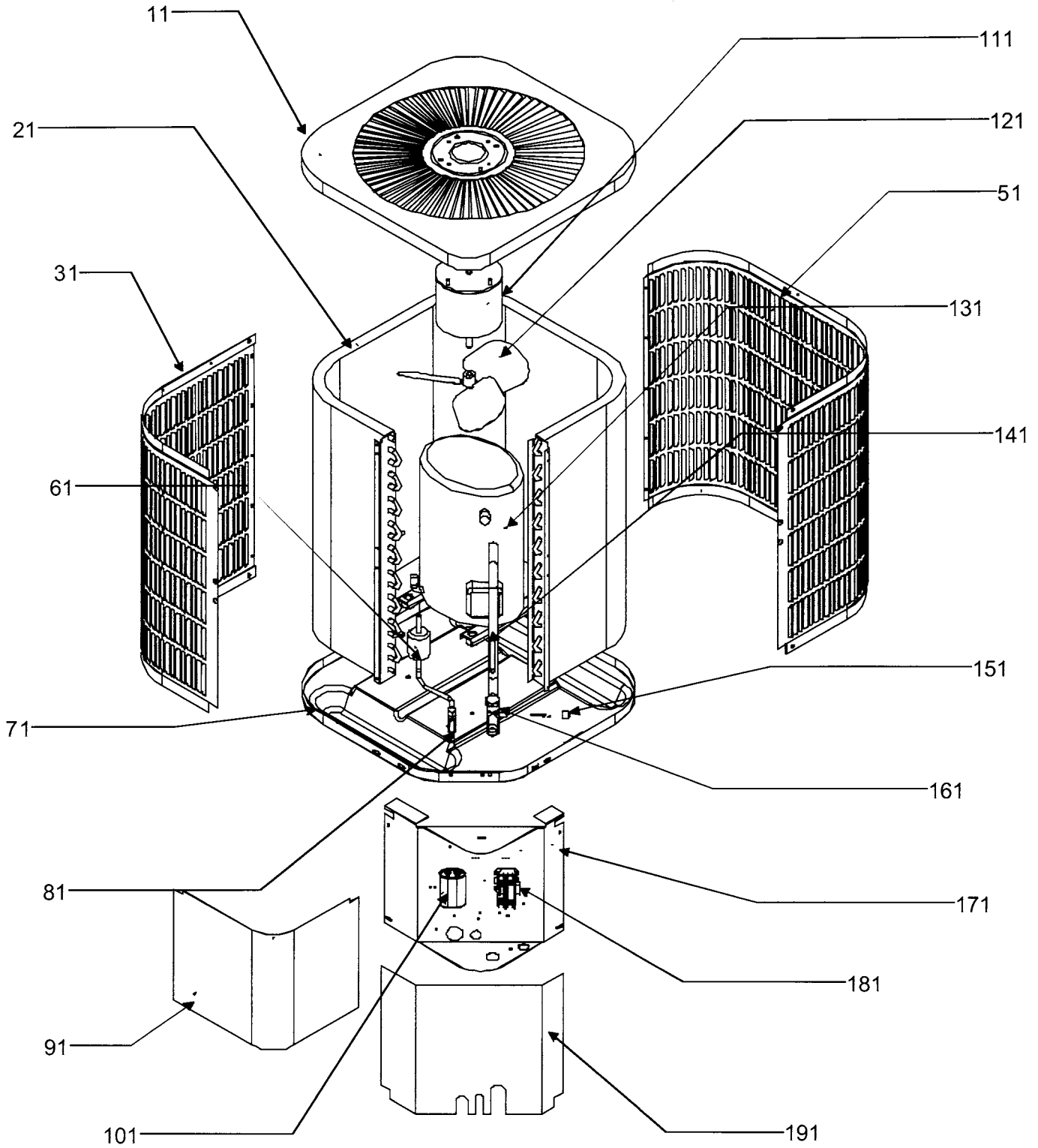
CKL36 - 42*L Chassis and Control Box

Ref. Part No:	Ref. Part No:	Description:	Description:
<i>Image 1:</i>			
11	1779405PDG	PANEL, TOP (LOUVERED) (M4, M5, M6)	
21	12625-05	CRATED SERVICE COIL W/ FILTER DRIER (M6)	
21	12625-19	CRATED SERVICE COIL W/ FILTER DRIER (M4, M5)	
31	1259552PDG	LOUVER PANEL H/PIN SIDE 27.5" (M4, M5)	
31	1259553PDG	LOUVER PANEL H/PIN SIDE 30.0" (M6)	
51	1259557PDG	LOUVER PANEL RETURN SIDE 27.5" (M4, M5)	
51	1259558PDG	LOUVER PANEL RETURN SIDE 30.0" (M6)	
61	B1219212	DRIER FILTER, STEEL, SINGLE FLOW (M4, M5, M6)	
71	1787211PDG	BOTTOM PAN ASSEMBLY (M4, M5, M6)	
81	B12825171	VALVE, BASE, LIQUID LINE 3/8" X 5/16" (M4, M5, M6)	
91	1787624PDG	COVER, CONTROL BOX (M4, M5, M6)	
101	B945650	CAPACITOR, 5/370 (M5)	
101	B94575600	CAPACITOR, DUAL SECTION 40/5/440 (M6)	
101	B94577400	CAPACITOR, DUAL SECTION 50/5/370 (M4)	
111	B13400251	MOTOR, COND., FAN 208-230-60-1 1/6 HP, 1 SPD, PSC, 1075 RPM (M5)	
111	B13400252	MOTOR, COND., FAN 208-230-60-1 1/6 HP, 1 SPD, PSC, 1075 RPM (M4, M6)	
121	B1086771	FAN, COND., 3 BLADE, 18"DIA., (M4, M5, M6)	
131	CR34K6PFV920	COMPRESSOR-COPELAND CR34K6-PFV-220 (M4)	
131	CR35K6TF5920	COMPRESSOR-COPELAND CR35K6-TF5-230, 3-PHASE (M5)	
131	CR38K6PFV920	COMPRESSOR-COPELAND CR38K6-PFV-220 (M6)	
141	B1339530	GROMMET, COMPRESSOR (M4, M5, M6)	
151	B178700	CORE VALVE (M4, M5, M6)	
161	B12825166	VALVE, BASE, SUCTION LINE 3/4" X 3/4" (M4, M5)	
161	B12825167	VALVE, BASE, SUCTION LINE 7/8" X 7/8" (M6)	
171	1787623	BOX, CONTROL (M4, M5, M6)	
181	B1360321	CONTACTOR, 25 AMP, 1 POLE, 277V, 24V COIL (M4, M6)	
181	B1360315	CONTACTOR, 25 AMP, 3 POLE, 277V, 24V COIL (M5)	
191	1787708PDG	PANEL, ACCESS 27.5" (M4, M5)	
191	1787709PDG	PANEL, ACCESS 30.0" (M6)	
NS	B9102098	3/8" VALVE CAP WITH O'RING (100 IN A PACK) (M4, M5, M6)	
NS	B260S8292	SPRAY PAINT (ARCHITECTURAL GRAY) (M4, M5, M6)	

Expanded Model Nomenclature

M1 - CKL18-1L
M2 - CKL24-1L
M3 - CKL30-1L
M4 - CKL36-1L
M5 - CKL36-3L
M6 - CKL42-1L
M7 - CKL49-1L
M8 - CKL49-3L
M9 - CKL60-1L
M10 - CKL60-3L
M11 - CKL60-4L
M12 - CKL62-1L

CKL48 - 62*L Chassis and Control Box



CKL48 - 62*L Chassis and Control Box

Ref. Part

No: No: Description:

Image 1:

11	1779406PDG	PANEL, TOP (LOUVERED) LARGE (M7, M8, M12)
11	1779415PDG	PANEL, TOP LARGE (M9, M10, M11)
21	12621-09	CRATED SERVICE COILS W/FILTER DRIER (M7, M8)
21	12621-10	CRATED SERVICE COILS W/FILTER DRIER (M9, M10, M11)
21	12621-18	CRATED SERVICE COILS W/FILTER DRIER (M12)
31	1259568PDG	LOUVER PANEL H/PIN SIDE 27.5" (M7, M8)
31	1259561PDG	LOUVER PANEL H/PIN SIDE 30.0" (M9, M10, M11)
31	1259562PDG	LOUVER PANEL H/PIN SIDE 37.5" (M12)
51	1259571PDG	LOUVER PANEL RETURN SIDE 27.5" (M7, M8)
51	1259565PDG	LOUVER PANEL RETURN SIDE 30.0" (M9, M10, M11)
51	1259566PDG	LOUVER PANEL RETURN SIDE 37.5" (M12)
61	B1219225	DRIER, FILTER (M7, M8, M9, M10, M11, M12)
71	1787212PDG	BOTTOM PAN ASSEMBLY (M7, M8, M9, M10, M11, M12)
81	B12825171	VALVE, BASE LIQUID LINE 3/8" X 5/16" (M7, M8, M9, M10, M11, M12)
91	1787624PDG	COVER, CONTROL BOX (M7, M8, M9, M10, M11, M12)
101	B945650	CAPACITOR, 5/370 (M8, M10, M11)
101	B94575600	CAPACITOR, DUAL-SECTION 40/5/440 (M7)
101	B94577500	CAPACITOR, DUAL-SECTION 60/5/370 (M9)
101	B94577700	CAPACITOR, DUAL-SECTION 70/5/370 (M12)
111	B13400248	MOTOR, COND., 208/230/60-1, 1/3 HP, 1 SPD, 1075 RPM (M12)
111	B13400247	MOTOR, COND., 208/230/60-1, 1/4 HP, 1 SPD, 1075 RPM (M7, M8, M9, M10)
111	B13400269	MOTOR, COND., 380/460/50-60/1, 1/4 HP, 1 SPD, 950-1050 RPM (M11)
121	B1086770	FAN, COND., 3 BLADE (M7, M8)
121	B1086748	FAN, COND., 3 BLADE 22" DIA, 30° PITCH (M12)
121	B1086750	FAN, COND., 3 BLADE 22" DIA, 30° PITCH (M9, M10, M11)
131	CR42K6PFV920	COMPRESSOR-COPELAND CR42K6-PFV-223 (M7)
131	CR42K6TF5920	COMPRESSOR-COPELAND CR42K6-TF5-220 (M8)
131	ZR57KCPFV950	COMPRESSOR-COPELAND ZR57KC-PFV-250 (M9) OLD PN# B9266355
131	ZR57KCTF5930	COMPRESSOR-COPELAND ZR57KC-TF5-230 (M10) OLD PN# B9266353
131	ZR57KCTFD930	COMPRESSOR-COPELAND ZR57KC-TFD-230 (M11) OLD PN# B9266354
131	ZR61KCPFV950	COMPRESSOR-COPELAND ZR61KC-PFV-250 (M12) OLD PN# B9266359
141	B1339530	GROMMET, COMPRESSOR (M7, M8)
141	B1339533	GROMMET, COMPRESSOR (M9, M10, M11, M12)
151	B1787000	CORE, VALVE (M7, M8, M9, M10, M11, M12)
161	B12825167	VALVE, BASE SUCTION LINE 7/8" X 7/8" (M7, M8, M9, M10, M11, M12)
171	1797623	BOX, CONTROL (M7, M8, M9, M10, M11, M12)
181	B1360315	CONTACTOR, 25 AMP, 3 POLE, 277V, 24V COIL (M8, M10, M11)
181	B1360324	CONTACTOR, 30 AMP, 1 POLE, 277V, 24V COIL (M7)
181	B1360305	CONTACTOR, 40 AMP, 2 POLE, 277V, 24V COIL (M9, M12)
191	1787708PDG	PANEL, ACCESS, 27.5" (M7, M8)

Ref. Part

No: No: Description:

191	1787709PDG	PANEL, ACCESS, 30.0" (M9, M10, M11)
191	1787717PDG	PANEL, ACCESS, 37.5" (M12)
NS	B9102098	3/8" VALVE CAP WITH O'RING (100 IN A PACK) (M7, M8, M9, M10, M11, M12)
NS	B260S8292	SPRAY PAINT (ARCHITECTURAL GRAY) (M7, M8, M9, M10, M11, M12)

Expanded Model Nomenclature

M1 - CKL18-1L
M2 - CKL24-1L
M3 - CKL30-1L
M4 - CKL36-1L
M5 - CKL36-3L
M6 - CKL42-1L
M7 - CKL49-1L
M8 - CKL49-3L
M9 - CKL60-1L
M10 - CKL60-3L
M11 - CKL60-4L
M12 - CKL62-1L

