

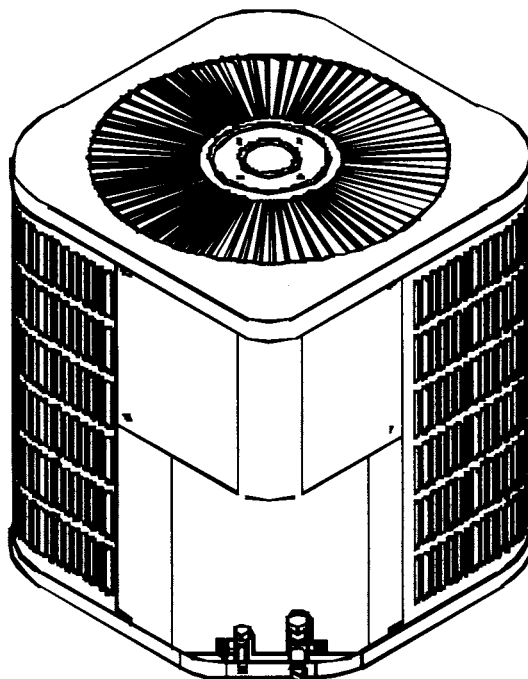


# REPAIR PARTS

## CLQ MODEL (14 SEER SERIES) CONDENSING UNITS



CLQ24-1  
CLQ24-1A  
CLQ30-1  
CLQ30-1A  
CLQ36-1  
CLQ42-1  
CLQ48-1  
CLQ60-1



RP - 284E  
June 2004

This manual is to be used by qualified technicians only.

Made in the USA by:  
Goodman Manufacturing Company, L.P.  
2550 North Loop West, Suite 400  
Houston Texas 77092

This manual replaces RP-284C.  
Copyright ©2004 Goodman Manufacturing Company, L.P.

## **Important Information**

---

Goodman Manufacturing Company, L.P is not responsible for personal injury or property damage resulting from improper service. Review all service information before beginning repairs.

Warranty service must be performed by an authorized technician, using authorized factory parts. If service is required after the warranty expires, Goodman Manufacturing Company, L.P also recommends contacting an authorized technician and using authorized factory parts.

For assistance within the U.S.A. contact:

Consumer Affairs Department  
Goodman Manufacturing Company, L.P  
7401 Security Way  
Houston, Texas 77040  
877-254-4729-Telephone  
713-863-2382-Facsimile

For assistance outside the U.S.A. contact:

International Division  
Goodman Manufacturing Company, L.P  
7401 Security Way  
Houston, Texas 77040  
713-861-2500-Telephone  
713-863-2382-Facsimile

# Index

Functional Parts List .....	5
Illustration and Parts .....	6 - 9

*Views shown are for parts illustrations only, not servicing procedures.*

Revision C: Corrects the description of the capacitor B94575300 from 40 MFD to 35 MFD, Changing Condensor Coils to Crated Cond. Service Coils.

Revision D: Updates compressor part numbers.

Revision E Updates compressor part number B9266371AS to B9266371BS.

## Text Codes:

AR - As Required

NA - Not Available

NS - Not Shown

00000000 - See Note

QTY - Quantity Example (QTY 3) (If Quantity not shown, Quantity = 1)

M - Model Example (M1) (If M Code not shown, then part is used on all Models)

## Expanded Model Nomenclature:

Example
M1 - Model#1
M2 - Model#2
M3 - Model#3

# Functional Parts

## Part

## No: Description:

B94576000	CAPACITOR, DUAL-SECTION, 25 MFD, 5 MFD, 370 VAC (M1)
B94575300	CAPACITOR, DUAL-SECTION, 35 MFD, 5 MFD, 370 VAC (M2, M3, M4)
B94577200	CAPACITOR, DUAL-SECTION, 45 MFD, 5 MFD, 370 VAC (M5)
B94577400	CAPACITOR, DUAL-SECTION, 50 MFD, 5 MFD, 370 VAC (M6)
B94575800	CAPACITOR, DUAL-SECTION, 55 MFD, 5 MFD, 440 VAC (M7)
B94578800	CAPACITOR, DUAL-SECTION, 60 MFD, 5 MFD, 440 VAC (M8)
B9266371BS	COMPRESSOR, H29B18UABCA (M1)
B9266833AS	COMPRESSOR, H29B24UABCA (M3) Old part# B9266684A
ZR18K4PFV930	COMPRESSOR, ZR18K4-PFV-230 (M2) Old part# B9266387
ZR24K4PFV930	COMPRESSOR, ZR24K4-PFV-230 (M4) Old part# B9266388
ZR28K3PFV930	COMPRESSOR, ZR28K3-PFV-230 (M5) Old part# B9266369
ZR34K3PFV930	COMPRESSOR, ZR34K3-PFV-230 (M6) Old part# B9266391
ZR40K3PFV930	COMPRESSOR, ZR40K3-PFV-230 (M7) Old part# B9266389
ZR48K3PFV935	COMPRESSOR, ZR48K3-PFV-235 (M8) Old part# B9266379
B13400271	FAN MOTOR, 208/230-60 1 SPEED, 830 RPM, 1/4 HP CCW (M6, M7, M8)
B13400270	FAN MOTOR, 208/230-60 1 SPEED, 830 RPM, 1/4 HP CW (M5)
B13400348	FAN MOTOR, 208/230-60 1 SPEED, 840 RPM, 1/6 HP (M1, M2, M3, M4)
B1086764	FAN, 4 BLADE, 22° PITCH, 22" DIAMETER (M1, M2, M3, M4)
B1086769	FAN, 4 BLADE, 22° PITCH, 26" DIAMETER (M6, M7, M8)
B1086765	FAN, 4 BLADE, 28° PITCH, 22" DIAMETER (M5)
B1219225	FILTER DRIER (M7, M8)
B1219212	FILTER DRIER (M1, M2, M3, M4, M5, M6)
B1789890	FLOW CHECK PISTON KIT (M8)
12621-11	SERVICE CRATED CONDENSER COIL W/ FILTER DRIER (M5)
12621-10	SERVICE CRATED CONDENSER COIL W/ FILTER DRIER (M1, M2, M3, M4)
12621-14	SERVICE CRATED CONDENSER COIL W/ FILTER DRIER (M7)
12621-15	SERVICE CRATED CONDENSER COIL W/ FILTER DRIER (M8)
12621-13	SERVICE CRATED CONDENSER COIL W/ FILTER DRIER (M6)
B1141670	START ASSIST (M1, M3)

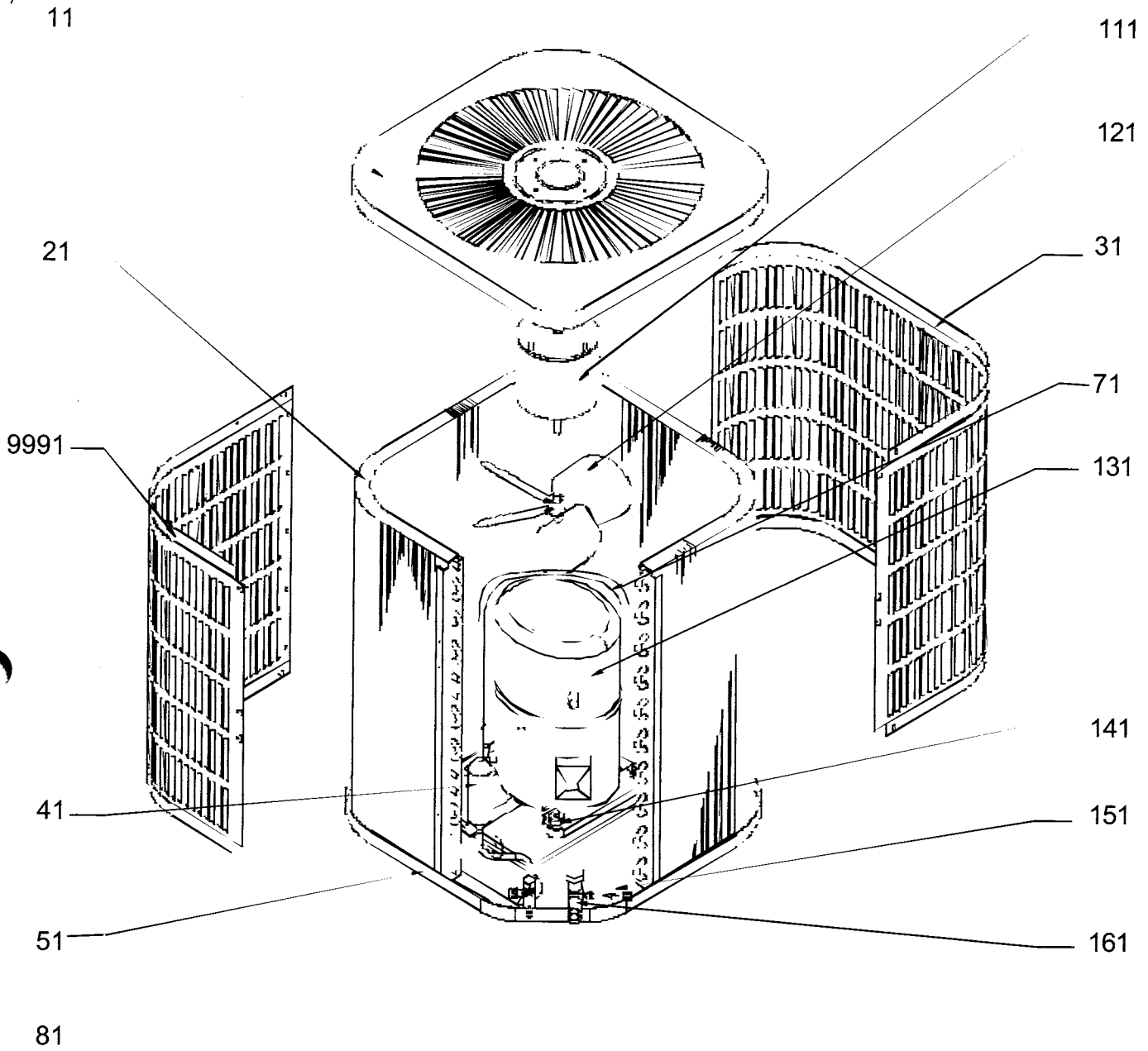
### SPECIAL PARTS

IO-101	I & O MANUAL
PW-101W"10"	PRODUCT WARRANTY
RP-284	REPAIR PARTS MANUAL

### Expanded Model Nomenclature

M1 - CLQ24-1
M2 - CLQ24-1A
M3 - CLQ30-1
M4 - CLQ30-1A
M5 - CLQ36-1
M6 - CLQ42-1
M7 - CLQ48-1
M8 - CLQ60-1

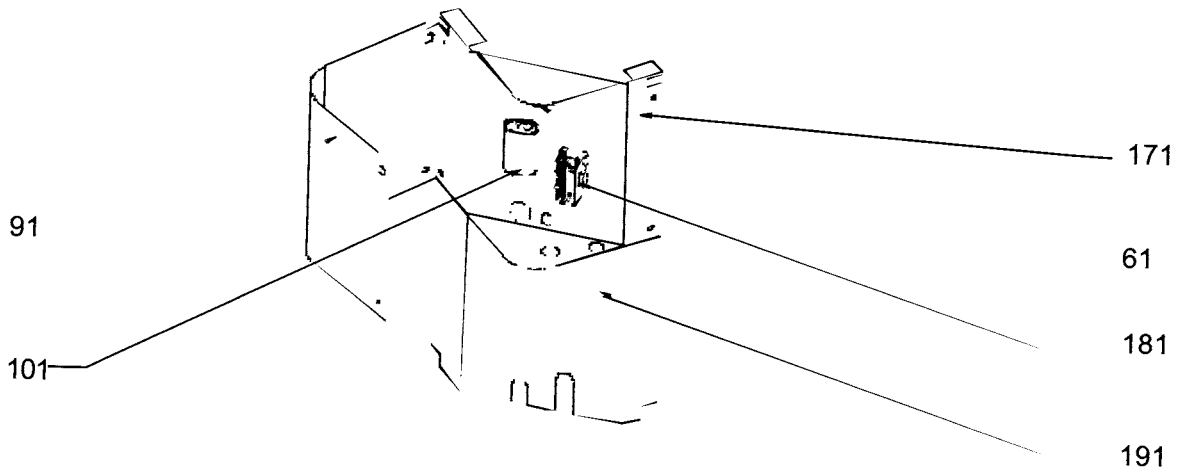
# Components



# Components

Ref. Part No: No:	Description:	Ref. Part No: No:	Description:
<i>Image 1:</i>		161	B1282567 SUCTION LINE BASE VALVE, 7/8" x 7/8" (M5, M6, M7, M8)
11	4279400P TOP PANEL, (M6, M7, M8)	9991	1259565P LOUVER PANEL, 30", RETURN SIDE (M1, M2, M3, M4)
11	1779407P TOP PANEL, (LOUVERED) (M1, M3)	9991	4203411P LOUVER PANEL, 30", RETURN SIDE (M6)
11	1779412P TOP PANEL, WITH PAINT (M2, M4, M5)	9991	4203415P LOUVER PANEL, 35", RETURN SIDE (M7)
21	12621-10 SERVICE CRATED CONDENSER COIL W/ FILTER DRIER (M1, M2, M3, M4)	9991	1259566P LOUVER PANEL, 37.5", RETURN SIDE (M5)
21	12621-11 SERVICE CRATED CONDENSER COIL W/ FILTER DRIER (M5)	9991	4203405P LOUVER PANEL, 40", RETURN SIDE (M8)
21	12621-13 SERVICE CRATED CONDENSER COIL W/ FILTER DRIER (M6)	NS	B1789859 FLOW CHECK PISTON KIT (M1, M2)
21	12621-14 SERVICE CRATED CONDENSER COIL W/ FILTER DRIER (M7)	NS	B1789868 FLOW CHECK PISTON KIT (M3, M4)
21	12621-15 SERVICE CRATED CONDENSER COIL W/ FILTER DRIER (M8)	NS	B1789874 FLOW CHECK PISTON KIT (M5)
31	1259561P LOUVER PANEL, 30", HAIRPIN SIDE (M1, M2, M3, M4)	NS	B1789880 FLOW CHECK PISTON KIT (M6)
31	4203410P LOUVER PANEL, 30", HAIRPIN SIDE (M6)	NS	B1789884 FLOW CHECK PISTON KIT (M7)
31	4203414P LOUVER PANEL, 35", HAIRPIN SIDE (M7)	NS	B1789890 FLOW CHECK PISTON KIT (M8)
31	1259562P LOUVER PANEL, 37.5", HAIRPIN SIDE (M5)	<b>Expanded Model Nomenclature</b>	
31	4203404P LOUVER PANEL, 40", HAIRPIN SIDE (M8)	M1 - CLQ24-1 M2 - CLQ24-1A M3 - CLQ30-1 M4 - CLQ30-1A M5 - CLQ36-1 M6 - CLQ42-1 M7 - CLQ48-1 M8 - CLQ60-1	
41	B1219212 FILTER DRIER (M1, M2, M3, M4, M5, M6)		
41	B1219225 FILTER DRIER (M7, M8)		
51	1787212P BOTTOM / BASE PAN 29", (M1, M2, M3, M4, M5)		
51	4279100P BOTTOM / BASE PAN, 35" (M6, M7, M8)		
71	B1488804 COMPRESSOR SOUND BLANKET (M1, M3)		
71	B1488807 COMPRESSOR SOUND BLANKET (M6)		
71	B1488810 COMPRESSOR SOUND BLANKET (M2, M4, M5)		
71	B1488811 COMPRESSOR SOUND BLANKET (M7, M8)		
81	B1282571 BASE VALVE, LIQUID LINE, 3/8" X 5/16"		
111	B13400271 FAN MOTOR, 208/230-60 1 SPEED, 830 RPM, 1/4 HP CCW (M6, M7, M8)		
111	B13400270 FAN MOTOR, 208/230-60 1 SPEED, 830 RPM, 1/4 HP CW (M5)		
111	B13400348 FAN MOTOR, 208/230-60 1 SPEED, 840 RPM, 1/6 HP (M1, M2, M3, M4)		
121	B1086764 FAN, 4 BLADE, 22° PITCH, 22" DIAMETER (M1, M2, M3, M4)		
121	B1086769 FAN, 4 BLADE, 22° PITCH, 26" DIAMETER (M6, M7, M8)		
121	B1086765 FAN, 4 BLADE, 28° PITCH, 22" DIAMETER (M5)		
131	B9266371BS COMPRESSOR, H29B18UABCA (M1)		
131	B9266833AS COMPRESSOR, H29B24UABCA (M3)		
131	ZR18K4PFV930 COMPRESSOR, ZR18K4-PFV-230 (M2) <i>Old part# B926684A</i>		
131	ZR24K4PFV930 COMPRESSOR, ZR24K4-PFV-230 (M4) <i>Old part# B9266387</i>		
131	ZR28K3PFV930 COMPRESSOR, ZR28K3-PFV-230 (M5) <i>Old part# B9266388</i>		
131	ZR34K3PFV930 COMPRESSOR, ZR34K3-PFV-230 (M6) <i>Old part# B9266369</i>		
131	ZR40K3PFV930 COMPRESSOR, ZR40K3-PFV-230 (M7) <i>Old part# B9266391</i>		
131	ZR48K3PFV935 COMPRESSOR, ZR48K3-PFV-235 (M8) <i>Old part# B9266389</i> <i>Old part# B9266379</i>		
141	B1339530 GROMMET, COMPRESSOR (M1, M3)		
141	B1339533 GROMMET, COMPRESSOR (M2, M4, M5, M6, M7, M8)		
151	B1787000 CORE, VALVE		
161	B1282566 SUCTION LINE BASE VALVE, 3/4" x 3/4" (M1, M2, M3, M4)		

# Control



# Control

Ref. Part No: No:	Description:	Ref. Part No: No:	Description:
-------------------	--------------	-------------------	--------------

*Image 1:*

61	B1141670	START ASSIST (M1, M3)
91	1787624P	CONTROL BOX COVER (M1, M2, M3, M4, M5)
91	4223701P	CONTROL BOX COVER (M6, M7, M8)
101	B94576000	CAPACITOR, DUAL-SECTION, 25 MFD, 370 VAC (M1)
101	B94575300	CAPACITOR, DUAL-SECTION, 35 MFD, 5 MFD, 370 VAC (M2, M3, M4)
101	B94577200	CAPACITOR, DUAL-SECTION, 45 MFD, 5 MFD, 370 VAC (M5)
101	B94577400	CAPACITOR, DUAL-SECTION, 50 MFD, 5 MFD, 370 VAC (M6)
101	B94575800	CAPACITOR, DUAL-SECTION, 55 MFD, 5 MFD, 440 VAC (M7)
101	B94578800	CAPACITOR, DUAL-SECTION, 60 MFD, 5 MFD, 440 VAC (M8)
171	1787623	CONTROL BOX (M1, M2, M3, M4, M5)
171	4287600	CONTROL BOX (M6, M7, M8)
181	B1360321	CONTACTOR, 24 VOLT COIL, 125 LRA, 1 POLE, 25 AMP, (M1, M2, M3, M4, M5, M6)
181	B1360324	CONTACTOR, 24 VOLT COIL, 150 LRA, 1 POLE, 30 AMP (M7)
181	B1360305	CONTACTOR, 24 VOLT COIL, 200 LRA, 2 POLE, 40 AMP, (M8)
191	1787709P	ACCESS PANEL, 30" COND (M1, M2, M3, M4)
191	4223705P	ACCESS PANEL, 30" COND (M6)
191	4223707P	ACCESS PANEL, 35" COND (M7)
191	1787717P	ACCESS PANEL, 37.5" COND (M5)
191	4223700P	ACCESS PANEL, 40" COND (M8)

Expanded Model Nomenclature

M1 - CLQ24-1
M2 - CLQ24-1A
M3 - CLQ30-1
M4 - CLQ30-1A
M5 - CLQ36-1
M6 - CLQ42-1
M7 - CLQ48-1
M8 - CLQ60-1