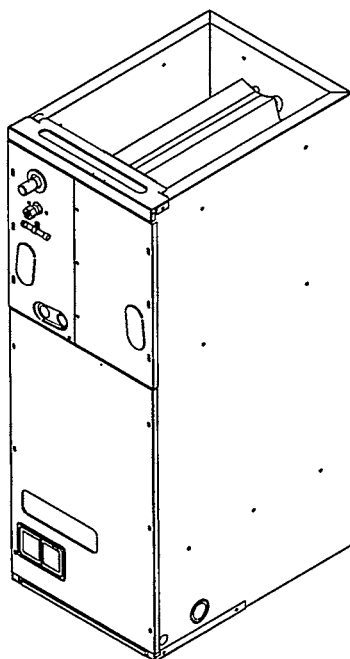




REPAIR PARTS

ARPF*B*A Air Handler

- ARPF024-00B-1A
- ARPF036-00B-1A
- ARPF048-00B-1A
- ARPF060-00B-1A



RP - 336
October 2004

Made in the USA by:
Goodman Manufacturing Company, L.P.
2550 North Loop West, Suite 400
Houston Texas 77092

This manual is to be used by qualified technicians only.

Copyright © 2004 Goodman Manufacturing Company, L.P.

Important Information

Goodman Manufacturing Company, L.P. is not responsible for personal injury or property damage resulting from improper service. Review all service information before beginning repairs.

Warranty service must be performed by an authorized technician, using authorized factory parts. If service is required after the warranty expires, Goodman Manufacturing Company, L.P. also recommends contacting an authorized technician and using authorized factory parts.

For assistance within the U.S.A. contact:
Consumer Affairs Department
Goodman Manufacturing Company, L.P.
7401 Security Way
Houston, Texas 77040
877-254-4729-Telephone
713-863-2382-Facsimile

For assistance outside the U.S.A. contact:
International Division
Goodman Manufacturing Company, L.P.
7401 Security Way
Houston, Texas 77040
713-861-2500-Telephone
713-863-2382-Facsimile

Index

Functional Parts List	5
Illustration and Parts	6 - 9

Views shown are for parts illustrations only, not servicing procedures.

Text Codes:

AR - As Required

NA - Not Available

NS - Not Shown

00000000 - See Note

QTY - Quantity Example (QTY 3) (If Quantity not shown, Quantity = 1)

M - Model Example (M1) (If M Code not shown, then part is used on all Models)

Expanded Model Nomenclature:

Example
M1 - Model#1
M2 - Model#2
M3 - Model#3

This page left blank intentionally.

Functional Parts

Part

No: Description:

B945672	CAPACITOR, 12.5/370 (M3)
B945653	CAPACITOR, 15/370 (M4)
B945650	CAPACITOR, 5/370 (M1)
B945651	CAPACITOR, 7.5/370 (M2)
B13400353	MOTOR, 1/2 HP, 2 SPD, 208/230-60-1 (M3)
B13400312	MOTOR, 1/3 HP, 2 SPD, 208/230-60-1 (M2)
B13400313	MOTOR, 1/5 HP, 2 SPD, 2-8/230-60-1 (M1)
B13400208S	MOTOR, 3/4 HP, 2 SPD, 208/230-60-1 (M4)
B1370735S	RELAY, ELECTRONIC BLOWER TIME DELAY
B1141643	TRANSFORMER, 208/230-24V
B1368036	WHEEL, BLOWER (M3)
B1368042	WHEEL, BLOWER (M1, M2)
B1368057	WHEEL, BLOWER (M4)

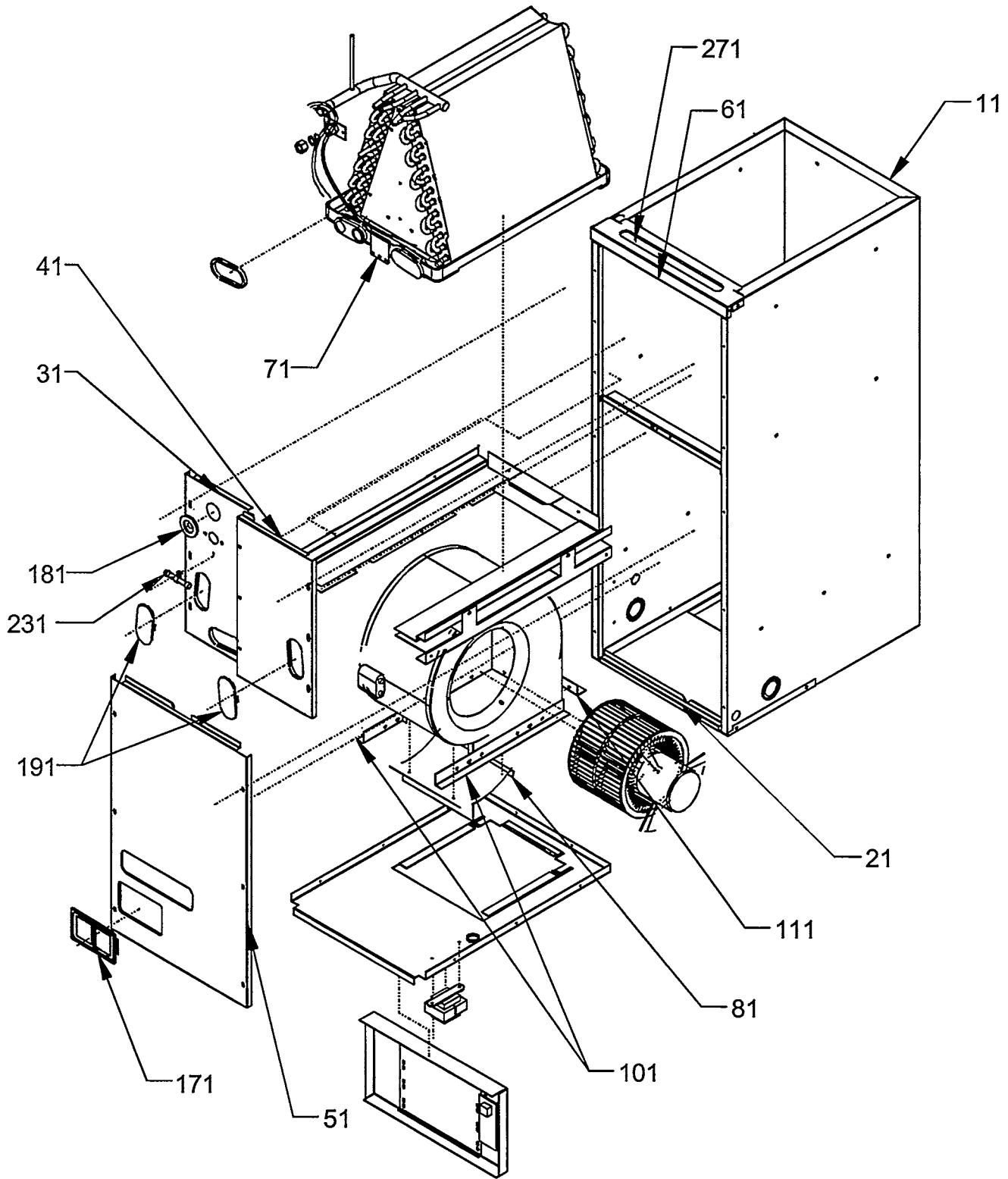
SPECIAL PARTS

IO-230	INSTALLATION AND OWNERS MANUAL
RP-336	REPAIR PARTS MANUAL
B260S8292	SPRAY PAINT TOUCH-UP, GRAY

Expanded Model Nomenclature

M1 - ARPF024-00B-1A
M2 - ARPF036-00B-1A
M3 - ARPF048-00B-1A
M4 - ARPF060-00B-1A

Cabinet



Cabinet

Ref. Part
No: No:

Description:

Ref. Part
No: No:

Description:

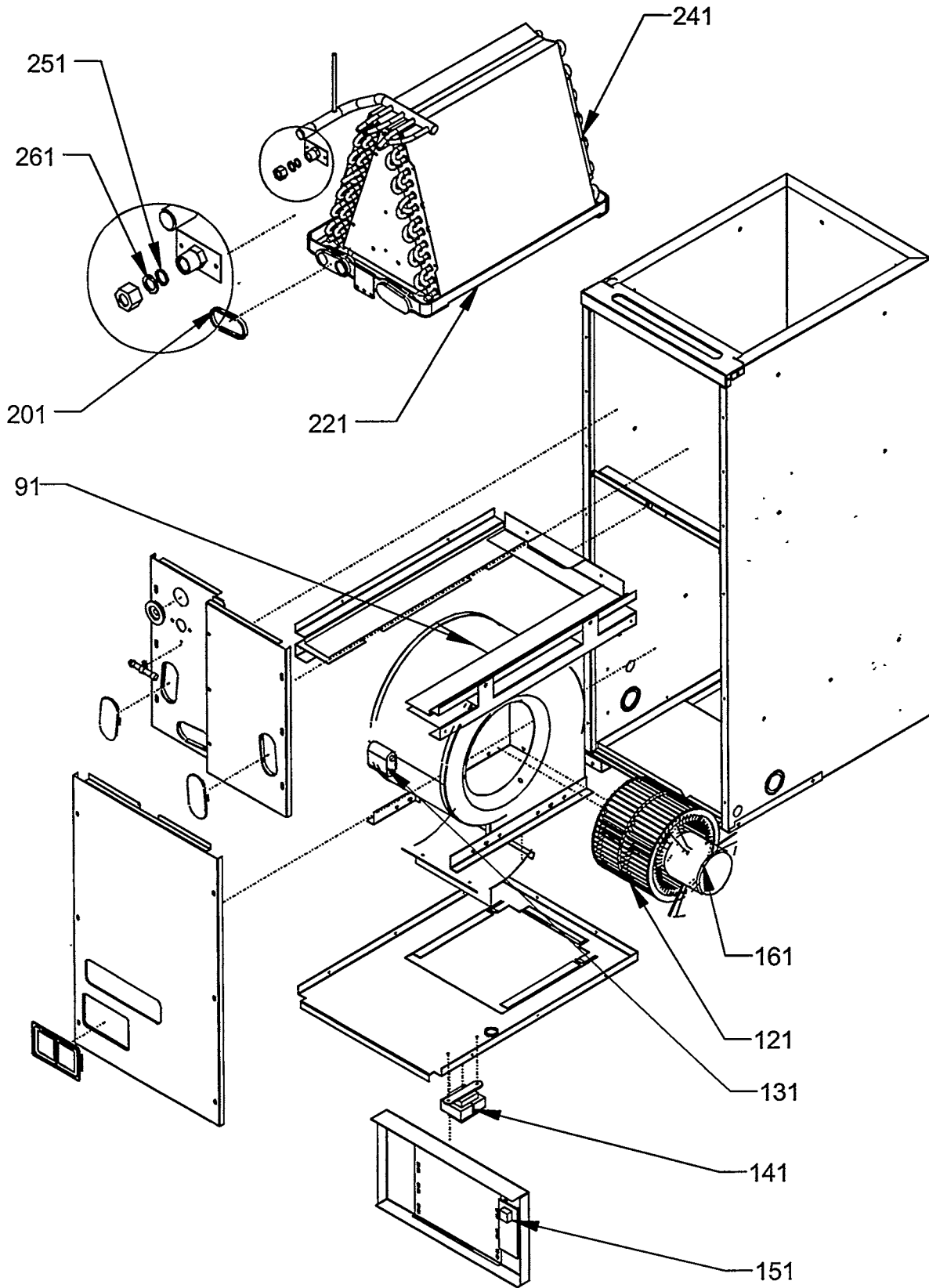
Image 1:

11	1721121PDG	WRAPPER, CABINET (M1, M2)
11	1721123PDG	WRAPPER, CABINET (M3, M4)
21	1721930PDG	PLATE, UPPER TIE (M3, M4)
21	1721931PDG	PLATE, UPPER TIE (M1, M2)
31	1722077PDG	PANEL, LOWER ACCESS (M1, M2)
31	1722078PDG	PANEL, LOWER ACCESS (M3, M4)
41	1722079PDG	PANEL, LOWER SERVICE (M1, M2)
41	1722081PDG	PANEL, LOWER SERVICE (M3, M4)
51	1722082PDG	PANEL, UPPER ACCESS (M1, M2)
51	1722084PDG	PANEL, UPPER ACCESS (M3, M4)
61	1722085PDG	FILTER COVER (M1, M2)
61	1722087PDG	FILTER COVER (M3, M4)
71	1722347	BRACKET U-COIL RETAINING
81	1864700	BLOWER CUT-OFF, 10 X 10 (M4)
81	764736	BLOWER CUT-OFF, 10 X 8 (M3)
81	764733	BLOWER CUT-OFF, 9 X 6 (M1, M2)
101	1717108	ANGLE, BLOWER MOUNTING (M3)
101	1717107	ANGLE, BLOWER MOUNTING, QTY 2 (M1, M2, M4)
111	1717109	ANGLE, BRACKET
191	B1392640	COVER, DRAIN HOLE, (QTY 2)
231	B1796630	TUBE, INLET
271	1721916	BOTTOM TIE (M1, M2)
271	1721918	BOTTOM TIE (M3, M4)
NS	B260S8292	SPRAY PAINT TOUCH-UP, GRAY

Expanded Model Nomenclature

M1 - ARPF024-00B-1A
M2 - ARPF036-00B-1A
M3 - ARPF048-00B-1A
M4 - ARPF060-00B-1A

Chassis



Chassis

Ref. Part No: No:	Description:	Ref. Part No: No:	Description:
<i>Image 1:</i>			
91	1439398		BLOWER SHELL, 10 X 10 (M4)
91	1439391		BLOWER SHELL, 10 X 8 (M3)
91	1439389		BLOWER SHELL, 9 X 6 (M1, M2)
121	B1368036		WHEEL, BLOWER (M3)
121	B1368042		WHEEL, BLOWER (M1, M2)
121	B1368057		WHEEL, BLOWER (M4)
131	B945672		CAPACITOR, 12.5/370 (M3)
131	B945653		CAPACITOR, 15/370 (M4)
131	B945650		CAPACITOR; 5/370 (M1)
131	B945651		CAPACITOR, 7.5/370 (M2)
141	B1141643		TRANSFORMER, 208/230-24V
151	B1370735S		RELAY, ELECTRONIC BLOWER TIME DELAY
161	B13400353		MOTOR, 1/2 HP, 2 SPD, 208/230-60-1 (M3)
161	B13400312		MOTOR, 1/3 HP, 2 SPD, 208/230-60-1 (M2)
161	B13400313		MOTOR, 1/5 HP, 2 SPD, 2-8/230-60-1 (M1)
161	B13400208S		MOTOR, 3/4 HP, 2 SPD, 208/230-60-1 (M4)
201	B1392631		GASKET, SEAL
221	B1756013L		DRAIN PAN, VERTICAL (M1, M2)
221	B1756020L		DRAIN PAN, VERTICAL (M3, M4)
241	P140224		COIL PAN ASSEMBLY (M1)
241	P140236		COIL PAN ASSEMBLY (M2)
241	P140248		COIL PAN ASSEMBLY (M3)
241	P140260		COIL PAN ASSEMBLY (M4)
251	B1796631		TEFLON SEAL, 20 IN A'PACK
261	B1796632		TEFLON SEAL AND NUT ASSEMBLY

Expanded Model Nomenclature

- M1 - ARPF024-00B-1A
- M2 - ARPF036-00B-1A
- M3 - ARPF048-00B-1A
- M4 - ARPF060-00B-1A