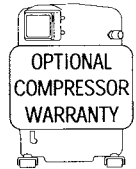


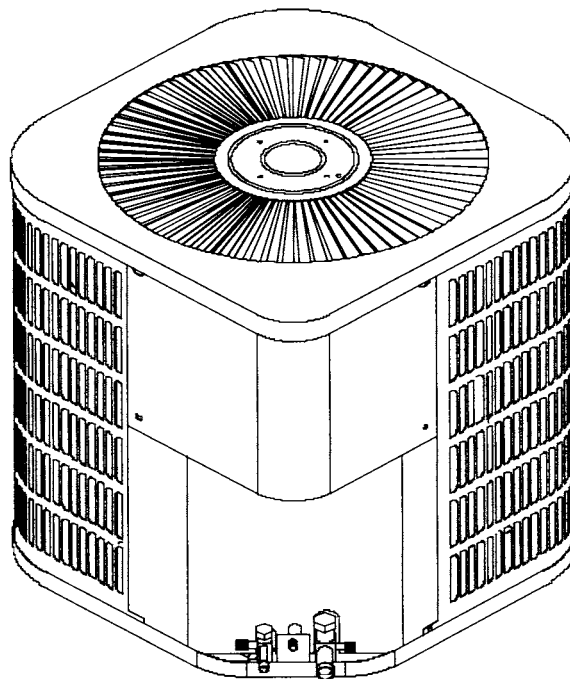


REPAIR PARTS

CPLT 13 SEER Series Condensing Units



CPLT24-1
CPLT24-1A
CPLT30-1
CPLT30-1A
CPLT36-1
CPLT42-1
CPLT48-1
CPLT60-1



This manual is to be used by qualified technicians only.

Made in the USA by:
Goodman Manufacturing Company, L.P.
2550 North Loop West, Suite 400
Houston Texas 77092

RP - 285F
June 2004

This manual replaces RP-285E.
Copyright ©2004 Goodman Manufacturing Company, L.P.

Important Information

Goodman Manufacturing Company, L.P. is not responsible for personal injury or property damage resulting from improper service. Review all service information before beginning repairs.

Warranty service must be performed by an authorized technician, using authorized factory parts. If service is required after the warranty expires, Goodman Manufacturing Company, L.P. also recommends contacting an authorized technician and using authorized factory parts.

For assistance within the U.S.A. contact:

Consumer Affairs Department
Goodman Manufacturing Company, L.P.
7401 Security Way
Houston, Texas 77040
877-254-4729-Telephone
713-863-2382-Facsimile

For assistance outside the U.S.A. contact:

International Division
Goodman Manufacturing Company, L.P.
7401 Security Way
Houston, Texas 77040
713-861-2500-Telephone
713-863-2382-Facsimile

Index

Functional Parts List	4 - 5
Illustration and Parts	6 - 11

Views shown are for parts illustrations only, not servicing procedures.

Revision D: Updates the Crated Service Coils and Compressors.

Revision E: Updates reversing valve part numbers.

Text Codes:

AR - As Required

NA - Not Available

NS - Not Shown

00000000 - See Note

QTY - Quantity Example (QTY 3) (If Quantity not shown, Quantity = 1)

M - Model Example (M1) (If M Code not shown, then part is used on all Models)

Expanded Model Nomenclature:

Example M1 - Model#1 M2 - Model#2 M3 - Model#3

Functional Parts

Part

No: Description:

B1226206	ACCUMULATOR, 0750" (M1, M2, M3, M4)
B1226207	ACCUMULATOR, 0875" (M5, M6, M7, M8)
B1282571	BASE VALVE, LIQUID LINE 3/8" X 5/16"
B94575300	CAPACITOR, DUAL-SECTION, 40/5/370 (M2, M3)
B94577200	CAPACITOR, DUAL-SECTION, 45/5/370 (M4, M5)
B94577400	CAPACITOR, DUAL-SECTION, 50/5/370 (M1, M6)
B94577500	CAPACITOR, DUAL-SECTION, 60/5/370 (M7, M8)
B94578800	CAPACITOR, DUAL-SECTION, 60/5/440 (M8)
B9266611BS	COMPRESSOR, H25B20QABCA (M1)
B9266843AS	COMPRESSOR, H29B28UABCA (SEE NOTE) (M3) Original B9266639A compressor is no longer available, replacement capacitor; no change.
ZR22K4PFV930	COMPRESSOR, ZR22K4-PFV-230 (M2) (OLD PN# B9266390)
ZR28K3PFV930	COMPRESSOR, ZR28K3-PFV-230 (M4) (OLD PN# B9266369)
ZR32K3PFV930	COMPRESSOR, ZR32K3-PFV-230 (M5) (OLD PN# B9266380)
ZR36K3PFV930	COMPRESSOR, ZR36K3-PFV-230 (M6) (OLD PN# B9266375)
ZR42K3PFV930	COMPRESSOR, ZR42K3-PFV-230 (M7) (OLD PN# B9266352)
ZR48K3PFV935	COMPRESSOR, ZR48K3-PFV-235 (M8) (OLD PN# B9266379)
B1360321	CONTACTOR, 25 AMP, 1 POLE, 24V (M1, M2, M3, M4)
B1360324	CONTACTOR, 30 AMP, 1 POLE, 24V (M5, M6, M7)
B1360305	CONTACTOR, 40 AMP, 1 POLE, 24V (M8)
12622-22	CRATED SERVICE COIL W/FILTER DRIER (M6)
12622-18	CRATED SERVICE COIL W/FILTER DRIER (M1, M2)
12622-13	CRATED SERVICE COIL W/FILTER DRIER (M3, M4)
12622-15	CRATED SERVICE COIL W/FILTER DRIER (M5)
12622-31	CRATED SERVICE COIL W/FILTER DRIER (M7)
12622-32	CRATED SERVICE COIL W/FILTER DRIER (M8)
B1370803	DEFROST THERMOSTAT
B1226008S	DEFROST TIMER
B13400270	FAN MOTOR, 1/4 HP, 1 SPD, 830 RPM (M5, M6)
B13400271	FAN MOTOR, 1/4 HP, 1 SPD, 830 RPM (M7, M8)
B13400348	FAN MOTOR, 1/6 HP, 1 SPD, 840 RPM (M1, M2, M3, M4)
B1086764	FAN, 4 BLADE, 22° PITCH, 22 DIAMETER (M1, M2, M3, M4)
B1086769	FAN, 4 BLADE, 22° PITCH, 26 DIAMETER (M7, M8)
B1086765	FAN, 4 BLADE, 28° PITCH, 22 DIAMETER (M5, M6)
B1219204	FILTER DRIER
B1789892	FLOW CHECK PISTON KIT (M8)
B1789884	FLOW CHECK PISTON KIT (M7)
B1789878	FLOW CHECK PISTON KIT (M6)
B1789862	FLOW CHECK PISTON KIT (M1, M2)
B1789871	FLOW CHECK PISTON KIT (M3, M4)
B1789873	FLOW CHECK PISTON KIT (M5)
B2114645	FLOWRATOR W/COPPER STUB (M1, M2)
B2114652	FLOWRATOR W/COPPER STUB (M3)
B2114655	FLOWRATOR W/COPPER STUB (M4, M5)
B2114657	FLOWRATOR W/COPPER STUB (M6)
B2114872	FLOWRATOR W/COPPER STUB (M8)
B2114870	FLOWRATOR W/COPPER STUB (M7)
B1360719	LOW PRESSURE SWITCH
B1219301	MUFFLER 1/2" X 1/2"

Functional Parts

Part

No: Description:

B1227317	REVERSING VALVE W/SOLENOID (M5, M6, M7, M8)
B1227315	REVERSING VALVE W/SOLENOID (M1, M2)
B1227316	REVERSING VALVE W/SOLENOID (M3, M4)
B1225020	SOLENOID COIL CORD W/ ¼"TERMINALS

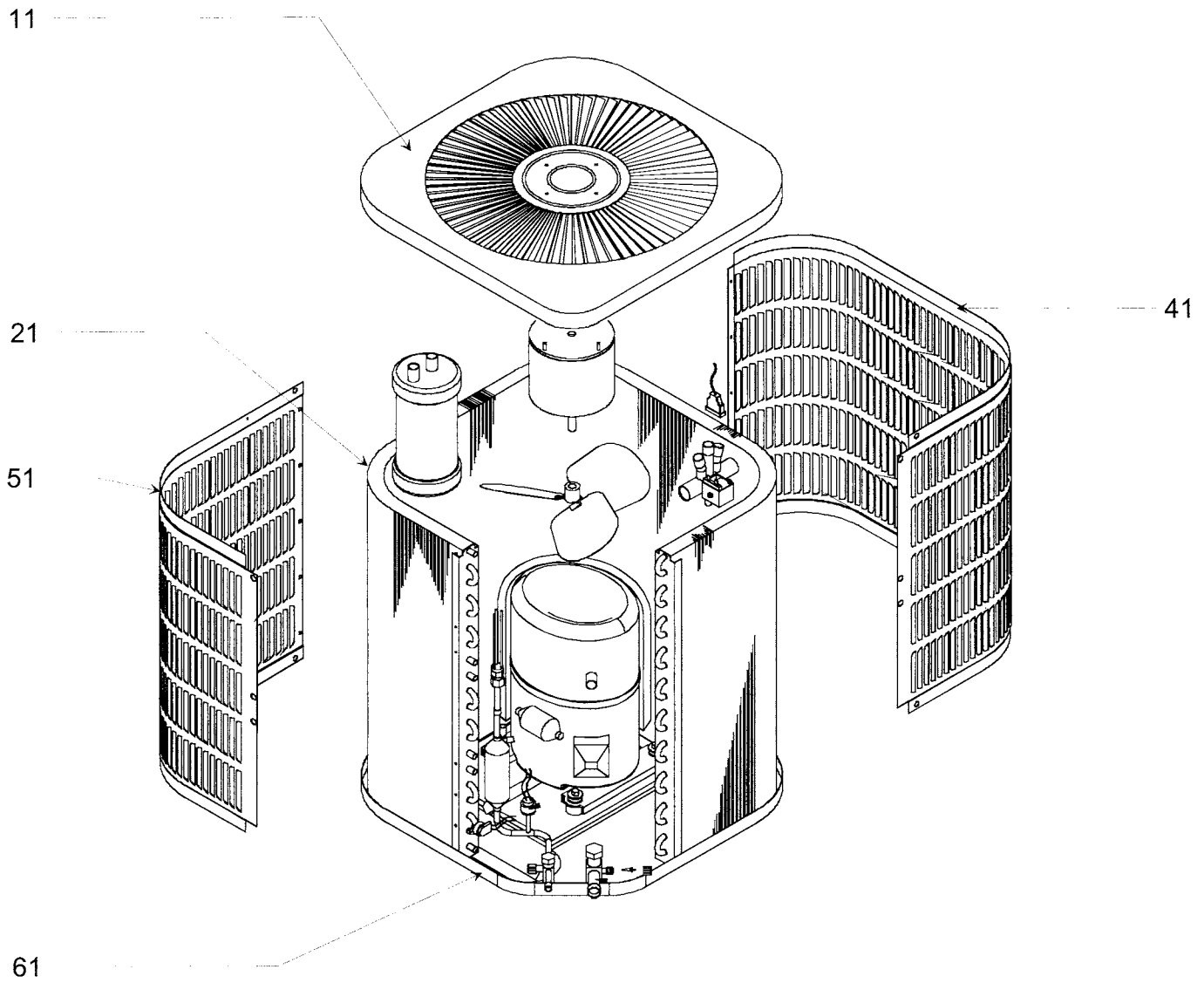
SPECIAL PARTS

IO-103	INSTALLATION AND OPERATIONS MANUAL
RP-285	MANUAL PARTS
SS-342	SPECIFICATION SHEET

Expanded Model Nomenclature

M1 - CPLT24-1
M2 - CPLT24-1A
M3 - CPLT30-1
M4 - CPLT30-1A
M5 - CPLT36-1
M6 - CPLT42-1
M7 - CPLT48-1
M8 - CPLT60-1

Chassis



Chassis

Ref Part No:	Description:	Ref. Part No:	Description:
--------------	--------------	---------------	--------------

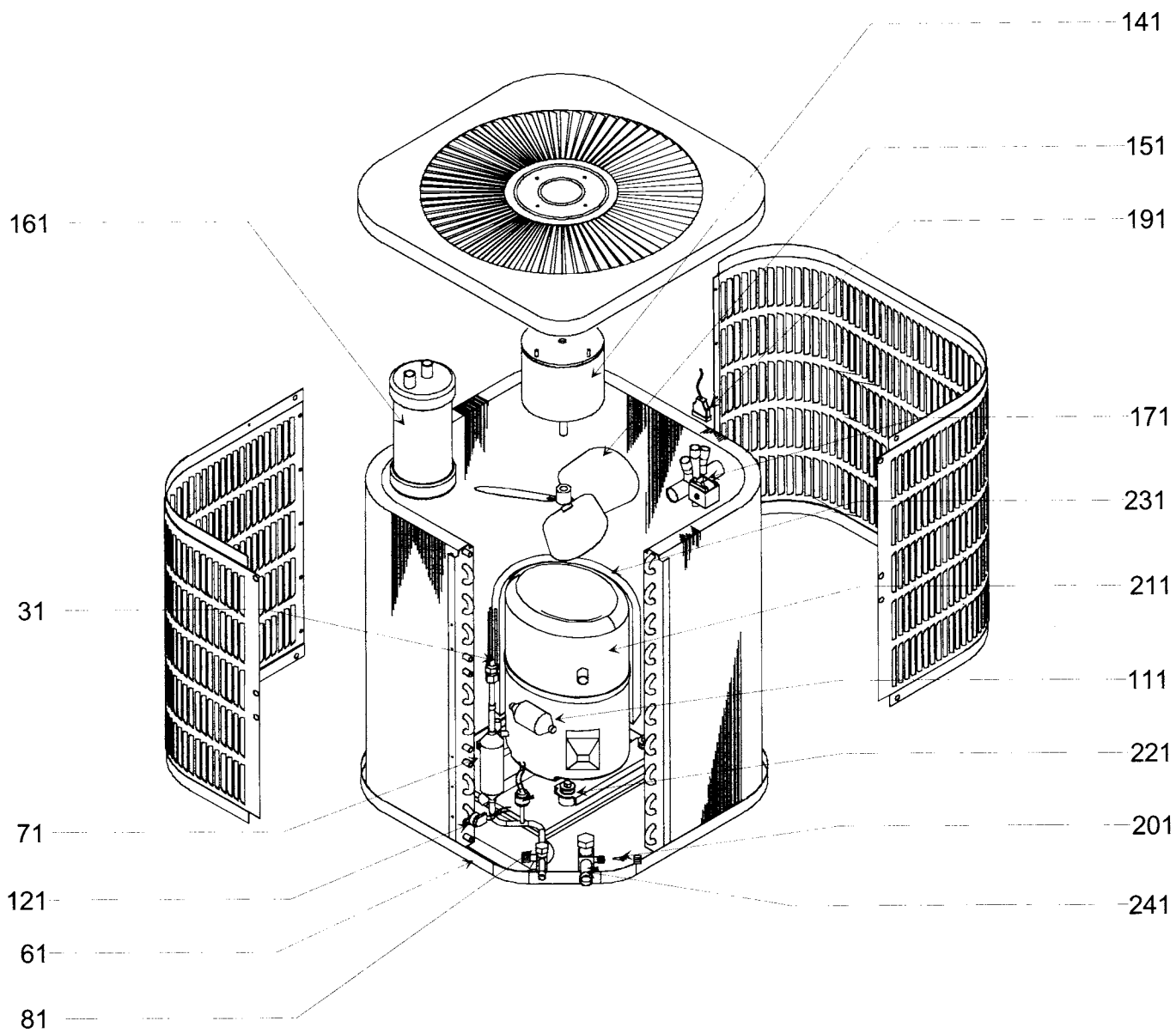
Image 1:

11	1779407P	TOP PANEL,(LOUVERED) (M1, M3) ORDER 1779412P IN PLACE OF 1779407P AFTER NOV. 18 2002.
11	1779412P	TOP PANEL,(LOUVERED) (M2, M4, M5, M6)
11	4279400P	TOP PANEL,(LOUVERED) (M7, M8)
21	12622-13	CRATED SERVICE COIL W/FILTER DRIER (M3, M4)
21	12622-15	CRATED SERVICE COIL W/FILTER DRIER (M5)
21	12622-18	CRATED SERVICE COIL W/FILTER DRIER (M1, M2)
21	12622-22	CRATED SERVICE COIL W/FILTER DRIER (M6)
21	12622-31	CRATED SERVICE COIL W/FILTER DRIER (M7)
21	12622-32	CRATED SERVICE COIL W/FILTER DRIER (M8)
41	1259560P	LOUVER PANEL,25",HAIRPIN SIDE (M3, M4)
41	1259568P	LOUVER PANEL,27.5",HAIRPIN SIDE (M5)
41	1259561P	LOUVER PANEL,30",HAIRPIN SIDE (M1, M2, M6)
41	4203410P	LOUVER PANEL,30",HAIRPIN SIDE (M7)
41	4203414P	LOUVER PANEL,35",HAIRPIN SIDE (M8)
51	1259564P	LOUVER PANEL,25",RETURN SIDE (M3, M4)
51	1259571P	LOUVER PANEL,27.5",RETURN SIDE (M5)
51	1259565P	LOUVER PANEL,30",RETURN SIDE (M1, M2, M6)
51	4203411P	LOUVER PANEL,30",RETURN SIDE (M7)
51	4203415P	LOUVER PANEL,35",RETURN SIDE (M8)
61	1787212P	BOTTOM/BASE PAN, 29" (M2, M3, M4, M5, M6)
61	4279100P	BOTTOM/BASE PAN, 35" (M7, M8)
NS	B260S8291	SPRAY PAINT (HIGH GLOSS BAHAMA BEIGE)

Expanded Model and Color Nomenclature

M1 - CPLT24-1
M2 - CPLT24-1A
M3 - CPLT30-1
M4 - CPLT30-1A
M5 - CPLT36-1
M6 - CPLT42-1
M7 - CPLT48-1
M8 - CPLT60-1

Internal Components

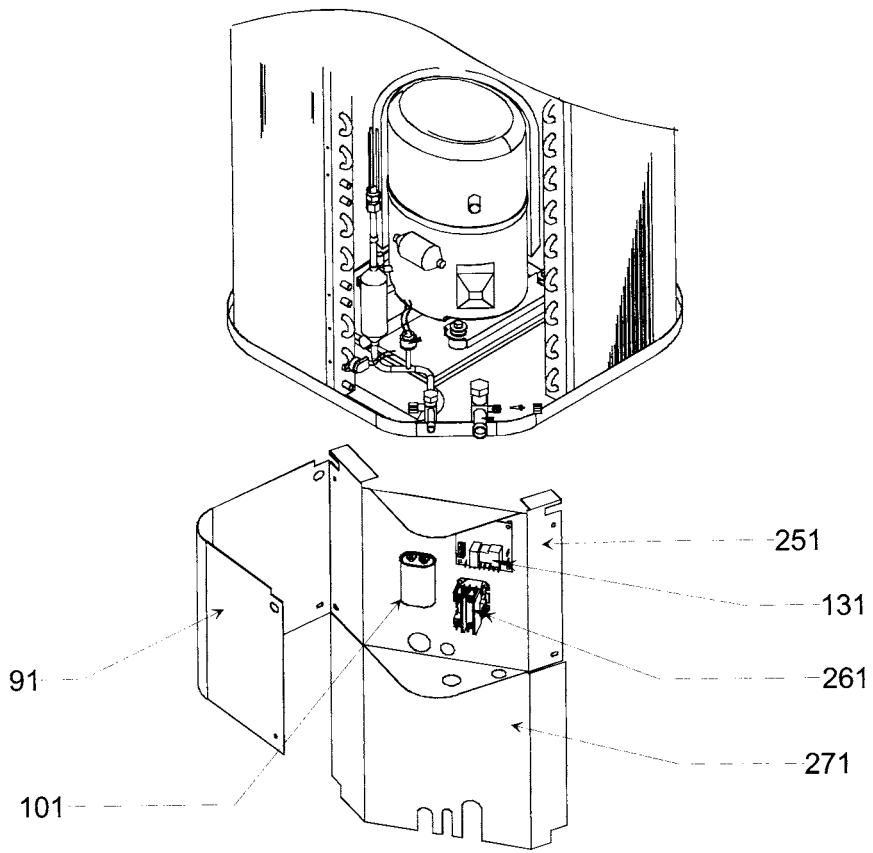


Internal Components

Ref Part No:	Description:	Ref. Part No:	Description:
<i>Image 1:</i>		Expanded Model and Color Nomenclature	
31 B2114645	FLOWRATOR W/COPPER STUB (M1, M2)	M1 - CPLT24-1	
31 B2114652	FLOWRATOR W/COPPER STUB (M3)	M2 - CPLT24-1A	
31 B2114655	FLOWRATOR W/COPPER STUB (M4, M5)	M3 - CPLT30-1	
31 B2114657	FLOWRATOR W/COPPER STUB (M6)	M4 - CPLT30-1A	
31 B2114870	FLOWRATOR W/COPPER STUB (M7)	M5 - CPLT36-1	
31 B2114872	FLOWRATOR W/COPPER STUB (M8)	M6 - CPLT42-1	
71 B1219204	FILTER DRIER	M7 - CPLT48-1	
81 B1282571	BASE VALVE, LIQUID LINE 3/8" X 5/16"	M8 - CPLT60-1	
111 B1360719	LOW PRESSURE SWITCH		
121 B1370803	DEFROST THERMOSTAT		
141 B13400270	FAN MOTOR, 1/4 HP, 1 SPD, 830 RPM (M5, M6)		
141 B13400271	FAN MOTOR, 1/4 HP, 1 SPD, 830 RPM (M7, M8)		
141 B13400348	FAN MOTOR, 1/6 HP, 1 SPD, 840 RPM (M1, M2, M3, M4)		
151 B1086764	FAN, 4 BLADE, 22° PITCH, 22 DIAMETER (M1, M2, M3, M4)		
151 B1086769	FAN, 4 BLADE, 22° PITCH, 26 DIAMETER (M7, M8)		
151 B1086765	FAN, 4 BLADE, 28° PITCH, 22 DIAMETER (M5, M6)		
161 B1226206	ACCUMULATOR, 0750" (M1, M2, M3, M4)		
161 B1226207	ACCUMULATOR, 0875" (M5, M6, M7, M8)		
171 B1219301	MUFFLER 1/2" X 1/2"		
181 B1227315	REVERSING VALVE W/SOLENOID (M1, M2)		
181 B1227316	REVERSING VALVE W/SOLENOID (M3, M4)		
181 B1227317	REVERSING VALVE W/SOLENOID (M5, M6, M7, M8)		
191 B1225020	SOLENOID COIL CORD W/ 1/4" TERMINALS		
201 B1787000	CORE, VALVE		
211 B9266611BS	COMPRESSOR, H25B20QABCA (M1)		
211 B9266843AS	COMPRESSOR, H29B28UABCA (SEE NOTE) (M3) <small>Original B9266639A compressor is no longer available, replacement capacitor; no change.</small>		
211 ZR22K4PFV930	COMPRESSOR, ZR22K4-PFV-230 (M2) <small>(OLD PN# B9266390)</small>		
211 ZR28K3PFV930	COMPRESSOR, ZR28K3-PFV-230 (M4) <small>(OLD PN# B9266369)</small>		
211 ZR32K3PFV930	COMPRESSOR, ZR32K3-PFV-230 (M5) <small>(OLD PN# B9266380)</small>		
211 ZR36K3PFV930	COMPRESSOR, ZR36K3-PFV-230 (M6) <small>(OLD PN# B9266375)</small>		
211 ZR42K3PFV930	COMPRESSOR, ZR42K3-PFV-230 (M7) <small>(OLD PN# B9266352)</small>		
211 ZR48K3PFV935	COMPRESSOR, ZR48K3-PFV-235 (M8) <small>(OLD PN# B9266379)</small>		
221 B1339530	GROMMET, COMPRESSOR (M1, M3)		
221 B1339533	GROMMET, COMPRESSOR (M2, M4, M5, M6, M7, M8)		
231 B1488804	COMPRESSOR SOUND BLANKET (M1, M3)		
231 B1488807	COMPRESSOR SOUND BLANKET (M5, M6, M7)		
231 B1488810	COMPRESSOR SOUND BLANKET (M2, M4)		
231 B1488811	COMPRESSOR SOUND BLANKET (M8)		
241 B1282566	SUCTION LINE VALVE, 3/4" X 3/4" (M1, M2, M3, M4)		
241 B1282567	SUCTION LINE VALVE, 7/8" X 7/8" (M5, M6, M7, M8)		
NS B1789862	FLOW CHECK PISTON KIT (M1, M2)		
NS B1789871	FLOW CHECK PISTON KIT (M3, M4)		
NS B1789873	FLOW CHECK PISTON KIT (M5)		
NS B1789878	FLOW CHECK PISTON KIT (M6)		
NS B1789884	FLOW CHECK PISTON KIT (M7)		
NS B1789892	FLOW CHECK PISTON KIT (M8)		

NOTE:
Units manufactured after May 2004 have new style reversing valve. When purchasing the valves sold w/ the soleniod, the solenoid is interchangeable, but when purchasing the solenoid as a part, the correct solenoid must be ordered.

Control Panel



Control Panel

Ref Part

No:

Description:

Ref. Part

No: No:

Description:

Image 1:

91	1787624P	CONTROL BOX COVER (M1, M2, M3, M4, M5, M6)
91	4223701P	CONTROL BOX COVER (M7, M8)
101	B94575300	CAPACITOR, DUAL-SECTION, 40/5/370 (M2, M3)
101	B94577200	CAPACITOR, DUAL-SECTION, 45/5/370 (M4, M5)
101	B94577400	CAPACITOR, DUAL-SECTION, 50/5/370 (M1, M6)
101	B94577500	CAPACITOR, DUAL-SECTION, 60/5/370 (M7, M8)
101	B94578800	CAPACITOR, DUAL-SECTION, 60/5/440 (M8)
131	B1226008S	DEFROST TIMER
251	1787623	CONTROL BOX (M1, M2, M3, M4, M5, M6)
251	4287600	CONTROL BOX (M7, M8)
261	B1360321	CONTACTOR, 25 AMP, 1 POLE, 24V (M1, M2, M3, M4)
261	B1360324	CONTACTOR, 30 AMP, 1 POLE, 24V (M5, M6, M7)
261	B1360305	CONTACTOR, 40 AMP, 1 POLE, 24V (M8)
271	1787707P	ACCESS PANEL, 25" COND (M3, M4)
271	1787708P	ACCESS PANEL, 27.5" COND (M5)
271	1787709P	ACCESS PANEL, 30" COND (M1, M2, M6)
271	4223705P	ACCESS PANEL, 30" COND (M7)
271	4223707P	ACCESS PANEL, 35" COND (M8)

Expanded Model and Color Nomenclature

- | |
|----------------|
| M1 - CPLT24-1 |
| M2 - CPLT24-1A |
| M3 - CPLT30-1 |
| M4 - CPLT30-1A |
| M5 - CPLT36-1 |
| M6 - CPLT42-1 |
| M7 - CPLT48-1 |
| M8 - CPLT60-1 |