



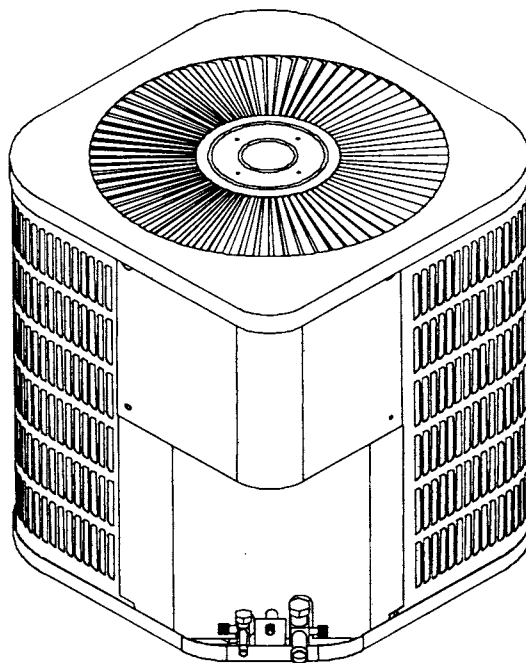
REPAIR PARTS

CPLJ 12 SEER Condensing Units



Models covered
in this manual

- CPLJ18-1
- CPLJ18-1A
- CPLJ24-1
- CPLJ24-1A
- CPLJ30-1
- CPLJ30-1A
- CPLJ36-1
- CPLJ36-1A
- CPLJ42-1
- CPLJ42-1A
- CPLJ48-1
- CPLJ48-1A
- CPLJ60-1
- CPLJ60-1A



RP - 277C
June 2004

Made in the USA by:
Goodman Manufacturing Company, L.P.
2550 North Loop West, Suite 400
Houston Texas 77092

This manual replaces RP-277B.

Copyright ©2004 Goodman Manufacturing Company, L.P.

This manual is to be used by qualified technicians only.

Important Information

Goodman Manufacturing Company, L.P. is not responsible for personal injury or property damage resulting from improper service. Review all service information before beginning repairs.

Warranty service must be performed by an authorized technician, using authorized factory parts. If service is required after the warranty expires, Goodman Manufacturing Company, L.P. also recommends contacting an authorized technician and using authorized factory parts.

For assistance within the U.S.A. contact:
Consumer Affairs Department
Goodman Manufacturing Company, L.P.
7401 Security Way
Houston, Texas 77040
877-254-4729-Telephone
713-863-2382-Facsimile

For assistance outside the U.S.A. contact:
International Division
Goodman Manufacturing Company, L.P.
7401 Security Way
Houston, Texas 77040
713-861-2500-Telephone
713-863-2382-Facsimile

Index

Functional Parts List 4 - 5
Illustration and Parts 6 - 11

Views shown are for parts illustrations only, not servicing procedures.

Revision B: Adds CPLJ30-1A, CPLJ36-1A, CPLJ42-1A, CPLJ48-1A, and CPLJ60-1A. Updates Condenser Coil service part numbers.

Revision C: Updates reversing valve part numbers.

Text Codes:

AR - As Required

NA - Not Available

NS - Not Shown

00000000 - See Note

QTY - Quantity Example (QTY 3) (If Quantity not shown, Quantity = 1)

M - Model Example (M1) (If M Code not shown, then part is used on all Models)

Expanded Model Nomenclature:

Example
M1 - Model#1
M2 - Model#2
M3 - Model#3

Functional Parts

Part

No: Description:

B1226206	ACCUMULATOR (3/4 O.D.) (M3, M4, M5, M6, M7, M8)
B1226205	ACCUMULATOR (5/8 O.D.) (M1, M2)
B1226207	ACCUMULATOR (7/8 O.D.) (M9, M10, M11, M12, M13, M14)
B94576000	CAPACITOR, 25/5/370 (M2)
B94578700	CAPACITOR, 30/5/370 (M1, M3, M4)
B94575300	CAPACITOR, 35/5/370 (M5)
B94575500	CAPACITOR, 40/5/370 (M7)
B94577200	CAPACITOR, 45/5/370 (M6, M8, M9, M11)
B94577400	CAPACITOR, 50/5/370 (M10)
B94577500	CAPACITOR, 60/5/370 (M12, M13)
B94577600	CAPACITOR, 80/5/370 (M14)
CR16K6PFV960	COMPRESSOR CR16K6-PFV-260 (M2)
CR20K6PFV960	COMPRESSOR CR20K6-PFV-260 (M4)
B9266839AS	COMPRESSOR H29A353ABCA (M9)
B9266845AS	COMPRESSOR H29A423CBCA (M11)
B9266842AS	COMPRESSOR H29B15UABCA (M1)
B9266834AS	COMPRESSOR H29B22UABCA (M3)
ZR28K3PFV930	COMPRESSOR ZR28K3-PFV-230 (M6)
	OLD PN# B9266369
ZR32K3PFV930	COMPRESSOR ZR32K3-PFV-230 (M8)
	OLD PN# B9266380
ZR36K3PFV930	COMPRESSOR ZR36K3-PFV-230 (M10)
	OLD PN# B9266375
ZR42K3PFV930	COMPRESSOR ZR42K3-PFV-230 (M12)
	OLD PN# B9266352
ZR48K3PFV930	COMPRESSOR ZR48K3-PFV-230 (M13)
	OLD PN# B9266338
ZR54K3PFV930	COMPRESSOR ZR54K3-PFV-230 (M14)
	OLD PN# B9266349
B9266843AS	COMPRESSOR, H29B28UABCA (M5)
	OLD PN# B9266639A
B9266640BS	COMPRESSOR, H29B32UABCA (M7)
	OLD PN# B9266642A
B1360321	CONTACTOR, 25 AMP, 1 POLE (M1, M2, M3, M4, M5, M6, M7, M8, M9, M10)
B1360324	CONTACTOR, 30 AMP, 1 POLE (M11, M12)
B1360305	CONTACTOR, 40 AMP, 1 POLE (M13, M14)
12622-09	CRATED SERVICE COIL W/FILTER DRIER (M1)
12622-46	CRATED SERVICE COIL W/FILTER DRIER (M6)
12622-45	CRATED SERVICE COIL W/FILTER DRIER (M4)
12622-44	CRATED SERVICE COIL W/FILTER DRIER (M2)
12622-18	CRATED SERVICE COIL W/FILTER DRIER (M7, M8)
12622-10	CRATED SERVICE COIL W/FILTER DRIER (M3)
12622-14	CRATED SERVICE COIL W/FILTER DRIER (M5)
12622-30	CRATED SERVICE COIL W/FILTER DRIER (M14)
12622-29	CRATED SERVICE COIL W/FILTER DRIER (M11, M13)
12622-26	CRATED SERVICE COIL W/FILTER DRIER (M9, M10, M12)
B1226008	DEROST CONTROL WITH RELAY
B1219204	DRIER,BI-FLOW, STEEL
B1086771	FAN, COND 3-BLADES, 18" X-SERIES (M1, M2)
B1086770	FAN, COND 3-BLADES, 22" (M7, M8, M9, M10, M11, M12)
B1086750	FAN, COND 3-BLADES, 22" PITCH 24° (M3, M4, M5, M6, M13)
B1086748	FAN, COND 3-BLADES, 22" PITCH 30° (M14)
B1789859	FLOWCHECK PISTON KIT (M4)
B1789889	FLOWCHECK PISTON KIT (M13)
	CPL60-1A DOES NOT HAVE A FLOWCHECK PISTON KIT

Functional Parts

**Part
No:**

Description:

B1789884	FLOWCHECK PISTON KIT (M11, M12)
B1789878	FLOWCHECK PISTON KIT (M9, M10)
B1789874	FLOWCHECK PISTON KIT (M7, M8)
B1789865	FLOWCHECK PISTON KIT (M3)
B1789855	FLOWCHECK PISTON KIT (M1, M2)
B1789868	FLOWCHECK PISTON KIT (M5, M6)
B2114443	FLOWRATOR W/COPPER & PISTON (M1, M4)
B2114874	FLOWRATOR W/COPPER & PISTON (M11, M13)
B2114662	FLOWRATOR W/COPPER & PISTON (M8)
B2114665	FLOWRATOR W/COPPER & PISTON (M9, M10)
B3118876	FLOWRATOR W/COPPER & PISTON (M14)
B2114445	FLOWRATOR W/COPPER & PISTON (M3, M6)
B2114455	FLOWRATOR W/COPPER & PISTON (M4)
B2114672	FLOWRATOR W/COPPER & PISTON (M12)
B2114655	FLOWRATOR W/COPPER & PISTON (M7)
B2114452	FLOWRATOR W/COPPER & PISTON (M2)
1259560P	LOUVERED PANEL H/PIN SIDE 25.0 (M3)
1259568P	LOUVERED PANEL H/PIN SIDE 27.5 (M4, M5, M6)
1259561P	LOUVERED PANEL H/PIN SIDE 30.0 (M7, M8)
1259554P	LOUVERED PANEL H/PIN SIDE 32.5 (M1, M2)
1259562P	LOUVERED PANEL H/PIN SIDE 37.5 (M9, M10, M12)
1259563P	LOUVERED PANEL H/PIN SIDE 40.0 (M11, M13, M14)
1259564P	LOUVERED PANEL RETURN SIDE 25.0 (M3)
1259571P	LOUVERED PANEL RETURN SIDE 27.5 (M4, M5, M6)
1259565P	LOUVERED PANEL RETURN SIDE 30.0 (M7, M8)
1259559P	LOUVERED PANEL RETURN SIDE 32.5 (M1, M2)
1259566P	LOUVERED PANEL RETURN SIDE 37.5 (M9, M10, M12)
1259567P	LOUVERED PANEL RETURN SIDE 40.0 (M11, M13, M14)
B13400248	MOTOR, CONDENSER, 1/3 HP, 208/230-60-1, PSC, 1075 RPM (M14)
B13400247	MOTOR, CONDENSER, 1/4 HP, 208/230-60-1, PSC, 1075 RPM (M9, M10, M11, M12, M13)
B13400348	MOTOR, CONDENSER, 1/6 HP, 208/230-60-1, PSC, 1075 RPM (M1, M2, M3, M4, M5, M6, M7, M8)
B1225020	SOLENOID COIL CORD
B1141671	START ASSIST (M11)
B1141670	START ASSIST (M5, M7, M9)
B1360719	SWITCH, LOW PRESSURE
B1370803	THERMOSTAT, DEFROST
B1227316	VALVE, REVERSING (M3, M4, M5, M6, M7, M8)
B1227317	VALVE, REVERSING (M9, M10, M11, M12, M13, M14)
B1227314	VALVE, REVERSING (M1, M2)

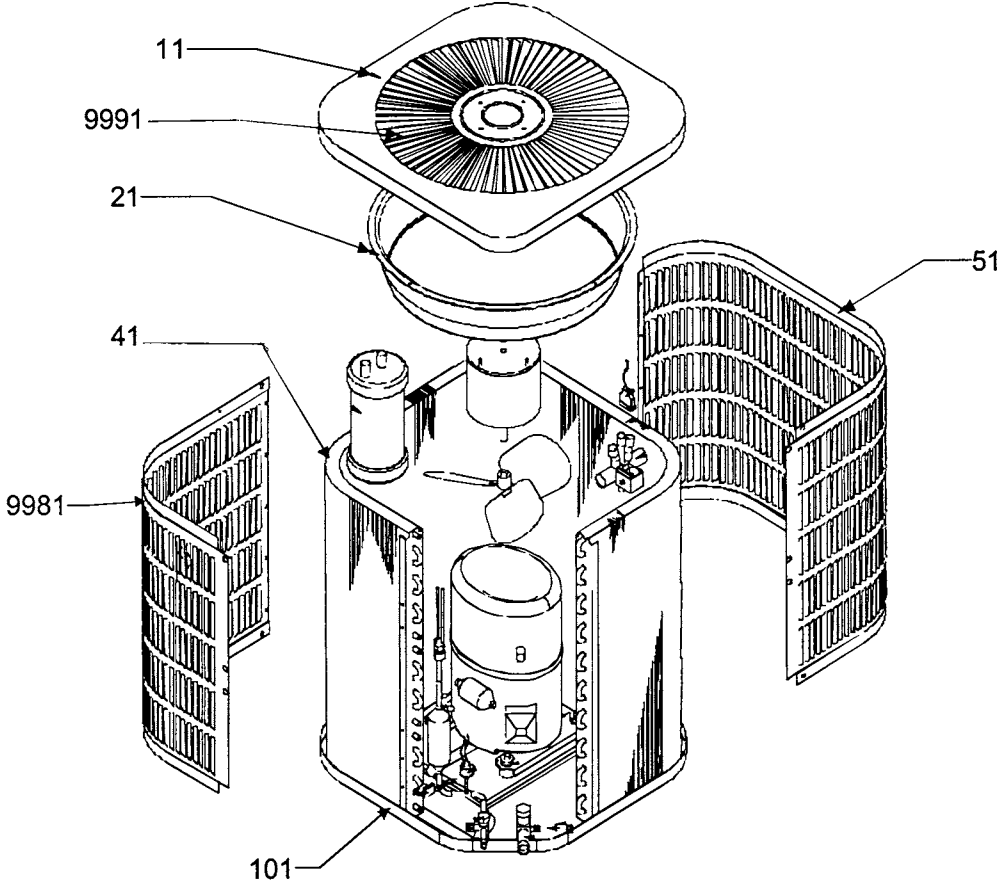
SPECIAL PARTS

IO-103	I & O MANUAL
RP-277	REPAIR PARTS MANUAL
PW-310	WARRANTY

Expanded Model Nomenclature

M1 - CPLJ18-1
M2 - CPLJ18-1A
M3 - CPLJ24-1
M4 - CPLJ24-1A
M5 - CPLJ30-1
M6 - CPLJ30-1A
M7 - CPLJ36-1
M8 - CPLJ36-1A
M9 - CPLJ42-1
M10 - CPLJ42-1A
M11 - CPLJ48-1
M12 - CPLJ48-1A
M13 - CPLJ60-1
M14 - CPLJ60-1A

Cabinet



Cabinet

Ref. Part No: No:	Description:	Ref. Part No: No:	Description:
-------------------	--------------	-------------------	--------------

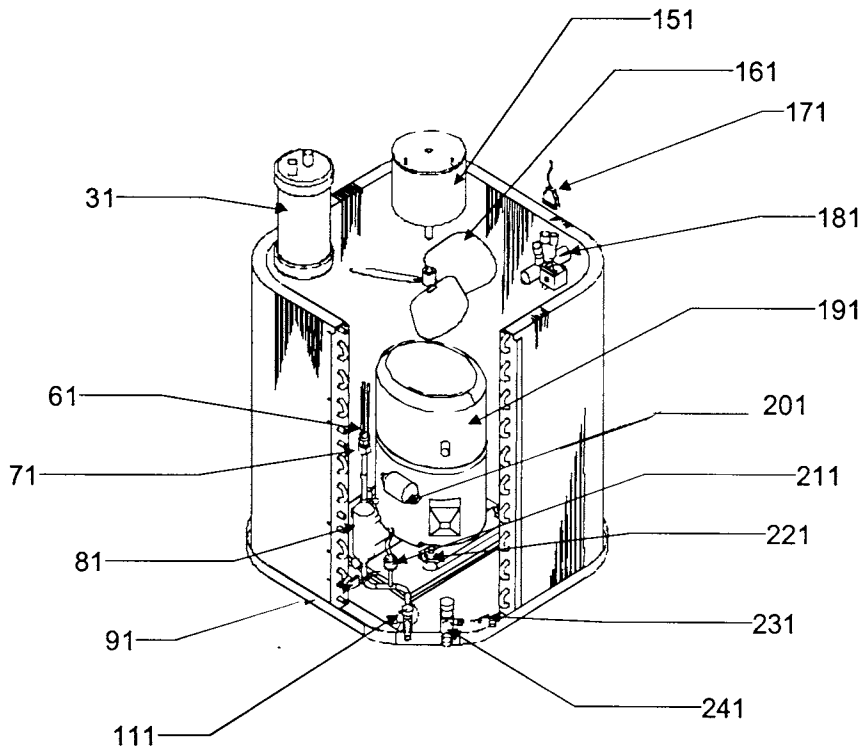
Image 1:

11	1779405P	PANEL, TOP (LOUVERED) (M1, M2)
11	1779406P	PANEL, TOP (LOUVERED) (M3, M4, M5, M6, M7, M8, M9, M10, M11, M12, M13)
11	1779412P	PANEL, TOP (LOUVERED) (M14)
21	1787815	VENTURI, PLASTIC (M7, M9, M11, M13, M14)
41	12622-09	CRATED SERVICE COIL W/FILTER DRIER (M1)
41	12622-10	CRATED SERVICE COIL W/FILTER DRIER (M3)
41	12622-14	CRATED SERVICE COIL W/FILTER DRIER (M5)
41	12622-18	CRATED SERVICE COIL W/FILTER DRIER (M7, M8)
41	12622-26	CRATED SERVICE COIL W/FILTER DRIER (M9, M10, M12)
41	12622-29	CRATED SERVICE COIL W/FILTER DRIER (M11, M13)
41	12622-30	CRATED SERVICE COIL W/FILTER DRIER (M14)
41	12622-44	CRATED SERVICE COIL W/FILTER DRIER (M2)
41	12622-45	CRATED SERVICE COIL W/FILTER DRIER (M4)
41	12622-46	CRATED SERVICE COIL W/FILTER DRIER (M6)
51	1259560P	LOUVERED PANEL H/PIN SIDE 25.0 (M3)
51	1259568P	LOUVERED PANEL H/PIN SIDE 27.5 (M4, M5, M6)
51	1259561P	LOUVERED PANEL H/PIN SIDE 30.0 (M7, M8)
51	1259554P	LOUVERED PANEL H/PIN SIDE 32.5 (M1, M2)
51	1259562P	LOUVERED PANEL H/PIN SIDE 37.5 (M9, M10, M12)
51	1259563P	LOUVERED PANEL H/PIN SIDE 40.0 (M11, M13, M14)
101	1787212P	PAN, BOTTOM (LARGE) (M3, M4, M5, M6, M7, M8, M9, M10, M11, M12, M13, M14)
101	1787211P	PAN, BOTTOM (SMALL) (M1, M2)
9981	1259564P	LOUVERED PANEL RETURN SIDE 25.0 (M3)
9981	1259571P	LOUVERED PANEL RETURN SIDE 27.5 (M4, M5, M6)
9981	1259565P	LOUVERED PANEL RETURN SIDE 30.0 (M7, M8)
9981	1259559P	LOUVERED PANEL RETURN SIDE 32.5 (M1, M2)
9981	1259566P	LOUVERED PANEL RETURN SIDE 37.5 (M9, M10, M12)
9981	1259567P	LOUVERED PANEL RETURN SIDE 40.0 (M11, M13, M14)
9991	B1376923	FAN GRILL GUARD (M14)

Expanded Model Nomenclature

M1 - CPLJ18-1
M2 - CPLJ18-1A
M3 - CPLJ24-1
M4 - CPLJ24-1A
M5 - CPLJ30-1
M6 - CPLJ30-1A
M7 - CPLJ36-1
M8 - CPLJ36-1A
M9 - CPLJ42-1
M10 - CPLJ42-1A
M11 - CPLJ48-1
M12 - CPLJ48-1A
M13 - CPLJ60-1
M14 - CPLJ60-1A

Internal Components



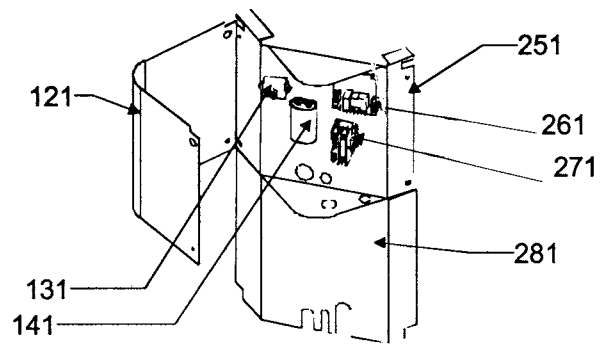
Internal Components

Ref. Part No: No:	Description:	Ref. Part No: No:	Description:
<i>Image 1:</i>		191 ZR54K3PFV930	COMPRESSOR ZR54K3-PFV-230 (M14) OLD PN# B9266349
31 B1226206	ACCUMULATOR (3/4 O.D.) (M3, M4, M5, M6, M7, M8)	191 B9266843AS	COMPRESSOR, H29B28UABCA (M5) OLD PN# B9266639A
31 B1226205	ACCUMULATOR (5/8 O.D.) (M1, M2)	191 B9266640BS	COMPRESSOR, H29B32UABCA (M7) OLD PN# B9266642A
31 B1226207	ACCUMULATOR (7/8 O.D.) (M9, M10, M11, M12, M13, M14)	201 B1219301	MUFFLER (1/2 X 1/2) (M5, M6, M7, M8, M9, M10, M11, M12, M13, M14)
61 B2114443	FLOWRATOR W/COPPER & PISTON (M1, M4)	201 B1219300	MUFFLER (3/8 X 3/8) (M1, M2, M3, M4)
61 B2114445	FLOWRATOR W/COPPER & PISTON (M3, M6)	211 B1360719	SWITCH, LOW PRESSURE
61 B2114452	FLOWRATOR W/COPPER & PISTON (M2)	221 B1339530	GROMMET,COMPRESSOR (M1, M2, M3, M4, M5, M7, M9, M11)
61 B2114455	FLOWRATOR W/COPPER & PISTON (M4)	221 B1339533	GROMMET,COMPRESSOR (M6, M8, M10, M12, M13, M14)
61 B2114655	FLOWRATOR W/COPPER & PISTON (M7)	231 B1787000	CORE, VALVE (QTY 2)
61 B2114662	FLOWRATOR W/COPPER & PISTON (M8)	241 B1282566	VALVE, BASE, SUCTION LINE 3/4 X 3/4 SWEAT (M1, M2, M3, M4, M5, M6, M7)
61 B2114665	FLOWRATOR W/COPPER & PISTON (M9, M10)	241 B1282567	VALVE, BASE, SUCTION LINE 3/4 X 7/8 SWEAT (M8, M9, M10, M11, M12, M13, M14)
61 B2114672	FLOWRATOR W/COPPER & PISTON (M12)		
61 B2114874	FLOWRATOR W/COPPER & PISTON (M11, M13)		
61 B3118876	FLOWRATOR W/COPPER & PISTON (M14)		
71 B1789855	FLOWCHECK PISTON KIT (M1, M2)		
71 B1789859	FLOWCHECK PISTON KIT (M4)		
71 B1789865	FLOWCHECK PISTON KIT (M3)		
71 B1789868	FLOWCHECK PISTON KIT (M5, M6)		
71 B1789874	FLOWCHECK PISTON KIT (M7, M8)		
71 B1789878	FLOWCHECK PISTON KIT (M9, M10)		
71 B1789884	FLOWCHECK PISTON KIT (M11, M12)		
71 B1789889	FLOWCHECK PISTON KIT (M13) CPLE60-1A DOES NOT HAVE A FLOWCHECK PISTON KIT		
81 B1219204	DRIER,BI-FLOW, STEEL		
91 B1370803	THERMOSTAT, DEFROST		
111 B1282571	VALVE, BASE, LIQUID LINE 3/8 X 5/16		
151 B13400248	MOTOR, CONDENSER,1/3 HP, 208/230-60-1,PSC,1075 RPM (M14)		
151 B13400247	MOTOR, CONDENSER,1/4 HP, 208/230-60-1,PSC,1075 RPM (M9, M10, M11, M12, M13)		
151 B13400348	MOTOR, CONDENSER,1/6 HP, 208/230-60-1,PSC,1075 RPM (M1, M2, M3, M4, M5, M6, M7, M8)		
161 B1086771	FAN, COND 3-BLADES, 18" X-SERIES (M1, M2)		
161 B1086770	FAN, COND 3-BLADES, 22" (M7, M8, M9, M10, M11, M12)		
161 B1086750	FAN, COND 3-BLADES, 22" PITCH 24" (M3, M4, M5, M6, M13)		
161 B1086748	FAN, COND 3-BLADES, 22" PITCH 30" (M14)		
171 B1225020	SOLENOID COIL CORD		
181 B1227314	VALVE, REVERSING (M1, M2)		
181 B1227316	VALVE, REVERSING (M3, M4, M5, M6, M7, M8)		
181 B1227317	VALVE, REVERSING (M9, M10, M11, M12, M13, M14)		
191 CR16K6PFV960	COMPRESSOR CR16K6-PFV-260 (M2)		
191 CR20K6PFV960	COMPRESSOR CR20K6-PFV-260 (M4)		
191 B9266839AS	COMPRESSOR H29A353ABCA (M9)		
191 B9266845AS	COMPRESSOR H29A423CBCA (M11)		
191 B9266842AS	COMPRESSOR H29B15UABCA (M1)		
191 B9266834AS	COMPRESSOR H29B22UABCA (M3)		
191 ZR28K3PFV930	COMPRESSOR ZR28K3-PFV-230 (M6) OLD PN# B9266369		
191 ZR32K3PFV930	COMPRESSOR ZR32K3-PFV-230 (M8) OLD PN# B9266380		
191 ZR36K3PFV930	COMPRESSOR ZR36K3-PFV-230 (M10) OLD PN# B9266375		
191 ZR42K3PFV930	COMPRESSOR ZR42K3-PFV-230 (M12) OLD PN# B9266352		
191 ZR48K3PFV930	COMPRESSOR ZR48K3-PFV-230 (M13) OLD PN# B9266338		

Expanded Model Nomenclature

- M1 - CPLJ18-1
- M2 - CPLJ18-1A
- M3 - CPLJ24-1
- M4 - CPLJ24-1A
- M5 - CPLJ30-1
- M6 - CPLJ30-1A
- M7 - CPLJ36-1
- M8 - CPLJ36-1A
- M9 - CPLJ42-1
- M10 - CPLJ42-1A
- M11 - CPLJ48-1
- M12 - CPLJ48-1A
- M13 - CPLJ60-1
- M14 - CPLJ60-1A

Control



Control

Ref. Part

No: No:

Description:

Ref. Part

No: No:

Description:

Image 1:

121	1787624P	CONTROL BOX COVER
131	B1141670	START ASSIST (M5, M7, M9)
131	B1141671	START ASSIST (M11)
141	B94576000	CAPACITOR, 25/5/370 (M2)
141	B94578700	CAPACITOR, 30/5/370 (M1, M3, M4)
141	B94575300	CAPACITOR, 35/5/370 (M5)
141	B94575500	CAPACITOR, 40/5/370 (M7)
141	B94577200	CAPACITOR, 45/5/370 (M6, M8, M9, M11)
141	B94577400	CAPACITOR, 50/5/370 (M10)
141	B94577500	CAPACITOR, 60/5/370 (M12, M13)
141	B94577600	CAPACITOR, 80/5/370 (M14)
251	1787623	CONTROL BOX
261	B1226008	DEROST CONTROL WITH RELAY
271	B1360321	CONTACTOR, 25 AMP, 1 POLE (M1, M2, M3, M4, M5, M6, M7, M8, M9, M10)
271	B1360324	CONTACTOR, 30 AMP, 1 POLE (M11, M12)
271	B1360305	CONTACTOR, 40 AMP, 1 POLE (M13, M14)
281	1787707P	PANEL, ACCESS, (25.0") (M3)
281	1787708P	PANEL, ACCESS, (27.5") (M4, M5, M6)
281	1787709P	PANEL, ACCESS, (30.0") (M7, M8)
281	1787710P	PANEL, ACCESS, (32.0") (M1, M2)
281	1787717P	PANEL, ACCESS, (37.5") (M9, M10, M12)
281	1787718P	PANEL, ACCESS, (40.0") (M11, M13, M14)
NS	B260S8291	SPRAY PAINT (HIGH GLOSS BAHAMA BEIGE)

Expanded Model Nomenclature

M1 - CPLJ18-1
M2 - CPLJ18-1A
M3 - CPLJ24-1
M4 - CPLJ24-1A
M5 - CPLJ30-1
M6 - CPLJ30-1A
M7 - CPLJ36-1
M8 - CPLJ36-1A
M9 - CPLJ42-1
M10 - CPLJ42-1A
M11 - CPLJ48-1
M12 - CPLJ48-1A
M13 - CPLJ60-1
M14 - CPLJ60-1A