

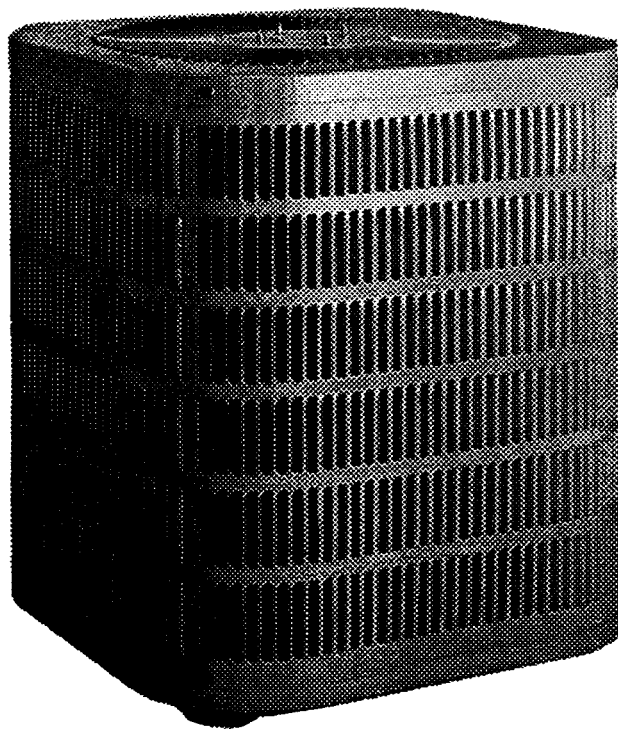
Goodman[®]

REPAIR PARTS

CPLE (10 SEER) Remote Condensing Unit



CPLE18-1
CPLE18-1A
CPLE18-1B
CPLE24-1
CPLE24-1A
CPLE24-1B
CPLE30-1
CPLE30-1A
CPLE36-1
CPLE36-1A
CPLE42-1
CPLE42-1B
CPLE48-1
CPLE48-1A
CPLE48-3
CPLE48-3A
CPLE60-1
CPLE60-3



This manual is to be used by qualified technicians only.

Made in the USA by:
Goodman Manufacturing Company, L.P.
2550 North Loop West, Suite 400
Houston Texas 77092

RP - 278D
June 2004
This manual replaces RP-278C.
Copyright ©2004 Goodman Manufacturing Company, L.P.

Important Information

Goodman Manufacturing Company, L.P. is not responsible for personal injury or property damage resulting from improper service. Review all service information before beginning repairs.

Warranty service must be performed by an authorized technician, using authorized factory parts. If service is required after the warranty expires, Goodman Manufacturing Company, L.P. also recommends contacting an authorized technician and using authorized factory parts.

For assistance within the U.S.A. contact:
Consumer Affairs Department
Goodman Manufacturing Company, L.P.
7401 Security Way
Houston, Texas 77040
877-254-4729-Telephone
713-863-2382-Facsimile

For assistance outside the U.S.A. contact:
International Division
Goodman Manufacturing Company, L.P.
7401 Security Way
Houston, Texas 77040
713-861-2500-Telephone
713-863-2382-Facsimile

Index

Functional Parts List	4 - 5
Illustration and Parts	6 - 13

Views shown are for parts illustrations only, not servicing procedures.

Revision B changes the louver used on CPLE18-1A.

Revision C: Adds model numbers CPLE18-1B, CPLE24-1B, CPLE30-1A, CPLE36-1A, CPLE42-1B, CPLE48-1A, CPLE48-3A.

Revision D: Updates reversing valve part numbers.

Text Codes:

AR - As Required

NA - Not Available

NS - Not Shown

00000000 - See Note

QTY - Quantity Example (QTY 3) (If Quantity not shown, Quantity = 1)

M - Model Example (M1) (If M Code not shown, then part is used on all Models)

Expanded Model Nomenclature:

Example
M1 - Model#1
M2 - Model#2
M3 - Model#3

Functional Parts

Part

No: Description:

B94575500	CAPACITOR, DUAL SECTION, 40 MFD, 4 MFD, 370 VAC (M10)
B94576000	CAPACITOR, DUAL-SECTION, 25MFD, 5 MFD, 370 VAC (M3)
B94578700	CAPACITOR, DUAL-SECTION, 30 MFD, 5 MFD, 370 VAC (M1, M2, M4, M5, M6)
B94575300	CAPACITOR, DUAL-SECTION, 35 MFD, 5 MFD, 370 VAC (M7, M8)
B94575400	CAPACITOR, DUAL-SECTION, 35 MFD, 5 MFD, 440 VAC (M11, M14)
B94575600	CAPACITOR, DUAL-SECTION, 40 MFD, 5 MFD, 440 VAC (M12, M13)
B94577200	CAPACITOR, DUAL-SECTION, 45 MFD, 5 MFD, 370 VAC (M9)
B94577500	CAPACITOR, DUAL-SECTION, 60 MFD, 5 MFD, 370 VAC (M17)
B945650	CAPACITOR, RUN, 5 MFD, 370 VAC (M15, M16, M18)
B9266218AS	COMPRESSOR, 208/230-60-1, BRISTOL #H23A383ABCA (M11)
B9266201AS	COMPRESSOR, 208/230-60-1, BRISTOL #H23A423ABCA (M13)
B9266834AS	COMPRESSOR, 208/230-60-1, BRISTOL #H29B22UABCA (M4, M5)
B9266843AS	COMPRESSOR, 208/230-60-1, BRISTOL #H29B28UABCA (M7)
B9266835AS	COMPRESSOR, 208/230-60-1, BRISTOL #H29B35UABCA (M9)
B9266204AS	COMPRESSOR, 208/230-60-3, BRISTOL #H23A423DBLA (M15)
CR18K6PFV960	COMPRESSOR, CR18K6-PFV-260 (M3)
CR22K6PFV970	COMPRESSOR, CR22K6-PFV-270 (M6)
CR28K6PFV960	COMPRESSOR, CR28K6-PFV-260 (M8)
CR35K6PFV960	COMPRESSOR, CR35K6-PFV-260 (M10)
CR38K6PFV960	COMPRESSOR, CR38K6-PFV-260 (M12)
CR42K6PFV960	COMPRESSOR, CR42K6-PFV-260 (M14)
CR42K6TF5920	COMPRESSOR, CR42K6-TF5-920 (M16)
B9266854AS	COMPRESSOR, H29B17ABCA (M1, M2) OLD PN# B9266600A
ZR57KCPFV950	COMPRESSOR, ZR57KC-PFV-250 (M17) OLD PN# B9266355
ZR57KCTF5930	COMPRESSOR, ZR57KC-TF5-230 (M18) OLD PN# B9266353
B1360321	CONTACTOR, 24 VOLT COIL, 125 LRA, 1 POLE, 25 AMP, (M1, M2, M3, M4, M5, M6, M7, M8, M9, M10, M11, M12)
B1360324	CONTACTOR, 24 VOLT COIL, 150 LRA, 1 POLE, 30 AMP (M13, M14)
B1360315	CONTACTOR, 24 VOLT COIL, 150 LRA, 3 POLE, 25 AMP, (M15, M16, M18)
B1360305	CONTACTOR, 24 VOLT COIL, 200 LRA, 2 POLE, 40 AMP, (M17)
B13400255	MOTOR CONDENSER FAN, 208/230-60-1, 1 SPEED PSC, 1075 RPM, 1/4HP (M11)
B13400348	MOTOR CONDENSER FAN, 208/230-60-1, 1 SPEED PSC, 1075 RPM, 1/6HP (M12, M16)
B13400252	MOTOR CONDENSER FAN, 208/230-60-1, 1 SPEED PSC, 1075 RPM, 1/6HP (M14)
B13400247	MOTOR, CONDENSER, FAN, 208/230-60-1, 1 SPEED, PSC, 1075 RPM, 1/4 HP (M9, M10, M13, M15, M17, M18)
B13400252	MOTOR, CONDENSER, FAN, 208/230-60-1, 1 SPEED, PSC, 1075 RPM, 1/6 HP, 4 15/16BASE (M3, M6, M8)
B13400251	MOTOR, CONDENSER, FAN, 208/230-60-1, 1 SPEED, PSC, 1075 RPM, 1/6 HP, 5 5/8 BASE (M1, M2, M4, M5, M7)
12622-39	SERVICE CRATED CONDENSOR COIL W/FILTER DRIER (M12)
12622-40	SERVICE CRATED CONDENSOR COIL W/FILTER DRIER (M14, M16)
12622-35	SERVICE CRATED CONDENSOR COIL W/FILTER DRIER (M3)
12622-38	SERVICE CRATED CONDENSOR COIL W/FILTER DRIER (M10)
12622-37	SERVICE CRATED CONDENSOR COIL W/FILTER DRIER (M8)
12622-10	SERVICE CRATED CONDENSOR COIL W/FILTER DRIER (M9)
12622-23	SERVICE CRATED CONDENSOR COIL W/FILTER DRIER (M13, M15, M17, M18)
12622-21	SERVICE CRATED CONDENSOR COIL W/FILTER DRIER (M11)
12622-01	SERVICE CRATED CONDENSOR COIL W/FILTER DRIER (M1, M2)
12622-05	SERVICE CRATED CONDENSOR COIL W/FILTER DRIER (M4)
12622-07	SERVICE CRATED CONDENSOR COIL W/FILTER DRIER (M5, M7)
12622-36	SERVICE CRATED CONDENSOR COIL W/FILTER DRIER (M6)
B1360719	SWITCH, LOW PRESSURE, T.I. # 20-PS025GA025E007C, RANCO # 070-116020-G01

Functional Parts

Part

No: Description:

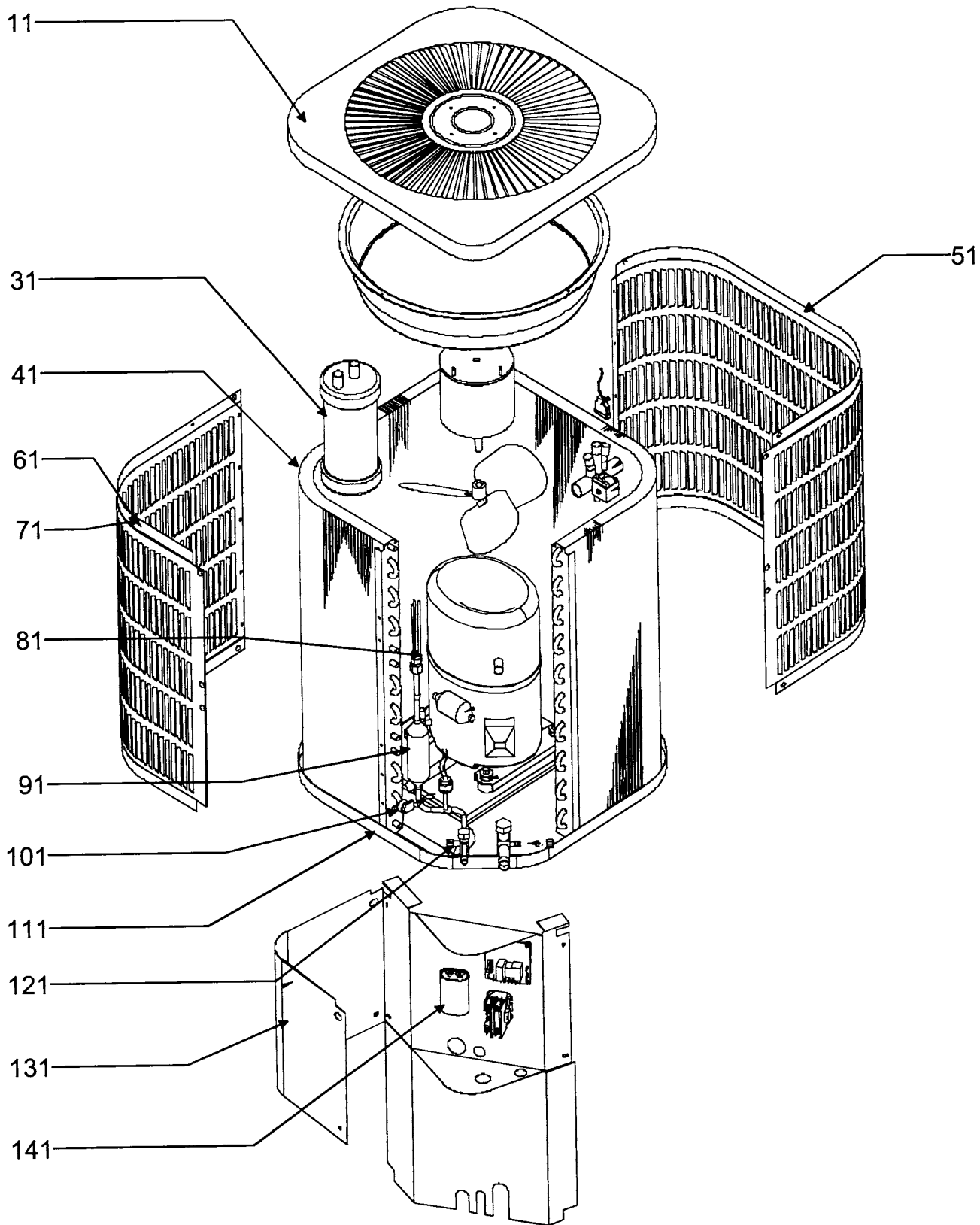
SPECIAL PARTS

IO-103 INSTALLATION & OWNERS MANUAL
RP-278 REPAIR PARTS MANUAL
SS-334 SPECIFICATION SHEET
B260S8291 SPRAY PAINT (HIGH GLOSS BAHAMA BEIGE)

Expanded Model Nomenclature

M1 - CPLE18-1
M2 - CPLE18-1A
M3 - CPLE18-1B
M4 - CPLE24-1
M5 - CPLE24-1A
M6 - CPLE24-1B
M7 - CPLE30-1
M8 - CPLE30-1A
M9 - CPLE36-1
M10 - CPLE36-1A
M11 - CPLE42-1
M12 - CPLE42-1B
M13 - CPLE48-1
M14 - CPLE48-1A
M15 - CPLE48-3
M16 - CPLE48-3A
M17 - CPLE60-1
M18 - CPLE60-3

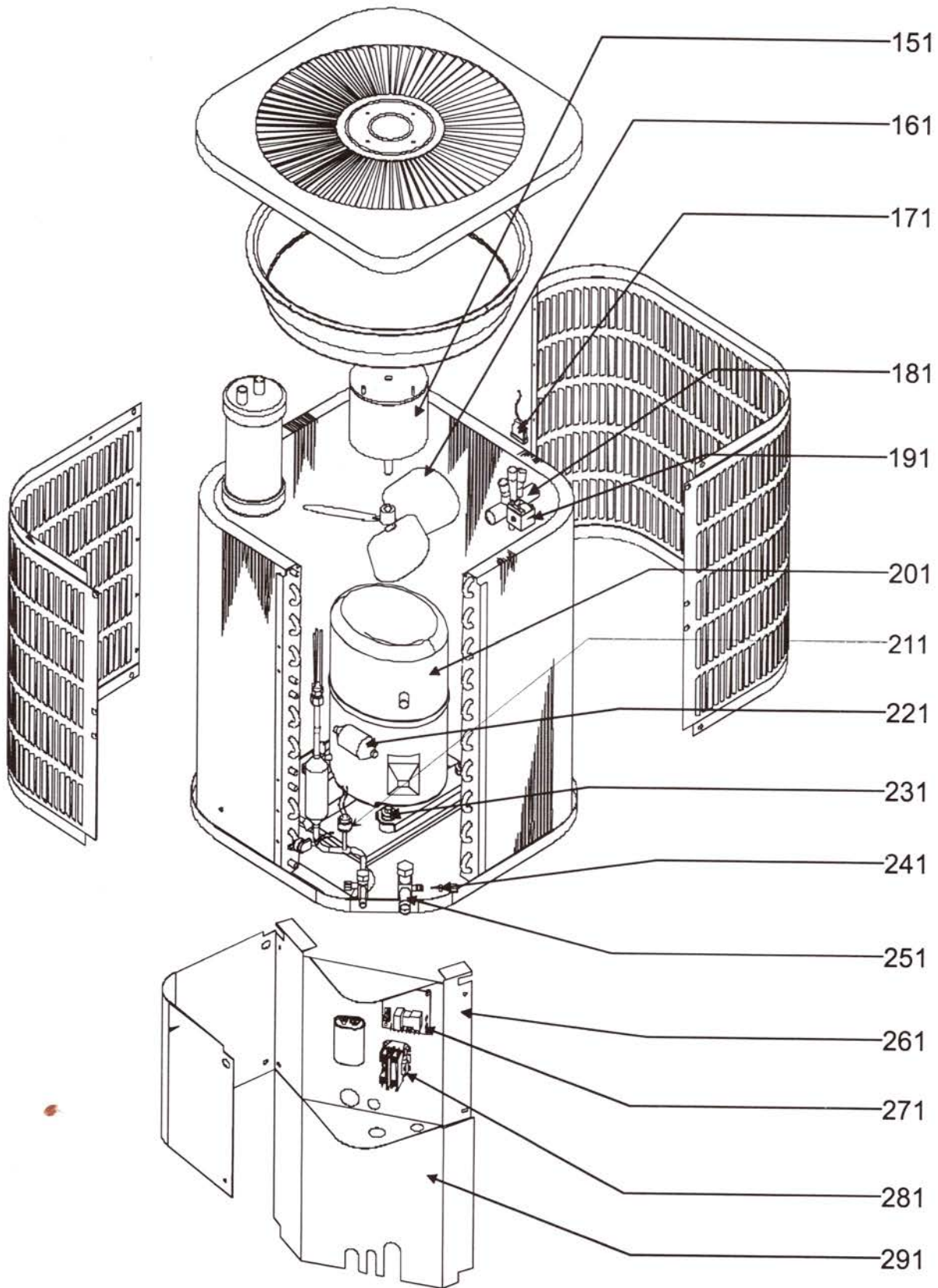
Louvered Chassis & Control (18 - 30-1A)



Louvered Chassis & Control (18 - 30-1A)

Ref. Part No: No:	Description:	Ref. Part No: No:	Description:
<i>Image 1:</i>		Expanded Model Nomenclature	
11	1759574	PANEL, TOP (LOUVERED) (M2)	M1 - CPLE18-1
11	1779405P	PANEL, TOP (LOUVERED) (M1, M3, M4, M5, M6, M7, M8)	M2 - CPLE18-1A
31	B1226205	ACCUMULATOR (5/8 O.D.) (M1, M2, M3, M4, M5, M6, M7)	M3 - CPLE18-1B
31	B1226208	ACCUMULATOR 4D X 11H CC (M8)	M4 - CPLE24-1
41	12622-01	SERVICE CRATED CONDENSOR COIL W/FILTER DRIER (M1, M2)	M5 - CPLE24-1A
41	12622-05	SERVICE CRATED CONDENSOR COIL W/FILTER DRIER (M4)	M6 - CPLE24-1B
41	12622-07	SERVICE CRATED CONDENSOR COIL W/FILTER DRIER (M5, M7)	M7 - CPLE30-1
41	12622-35	SERVICE CRATED CONDENSOR COIL W/FILTER DRIER (M3)	M8 - CPLE30-1A
41	12622-36	SERVICE CRATED CONDENSOR COIL W/FILTER DRIER (M6)	M9 - CPLE36-1
41	12622-37	SERVICE CRATED CONDENSOR COIL W/FILTER DRIER (M8)	M10 - CPLE36-1A
51	1259550P	LOUVER PANEL H/PIN SIDE (M1)	M11 - CPLE42-1
51	1259553P	LOUVER PANEL H/PIN SIDE (M4, M5, M6, M7, M8)	M12 - CPLE42-1B
61	1259555P	LOUVER PANEL RETURN SIDE (M1)	M13 - CPLE48-1
61	1259558P	LOUVER PANEL RETURN SIDE (M4, M5, M6, M7, M8)	M14 - CPLE48-1A
71	1259574P	LOUVER SIDE PANEL (M2, M3)	M15 - CPLE48-3
		SINGLE PIECE LOUVER	M16 - CPLE48-3A
81	B1314341	FLOWRATER W/COPPER (M1, M2, M3)	M17 - CPLE60-1
81	B2114447	FLOWRATER W/COPPER (M4, M5)	M18 - CPLE60-3
81	B2114455	FLOWRATER W/COPPER (M7)	
81	B1314345	FLOWRATER W/COPPER STUB (M6)	
81	B1314349	FLOWRATER W/COPPER STUB (M8)	
91	B1219204	DRIER, BI-FLOW. 3/8" x 3/8"	
101	B1370803	THERMOSTAT, DEFROST	
111	1787211P	PAN, BOTTOM (SMALL) (M1, M2, M3, M4, M5, M6, M7, M8)	
121	B1282571	VALVE, BASE, LIQUID LINE, 3/8" SWEAT X 5/16" SWEAT	
131	1787624P	CONTROL BOX COVER	
141	B94576000	CAPACITOR, DUAL-SECTION, 25MFD, 5 MFD, 370 VAC (M3)	
141	B94578700	CAPACITOR, DUAL-SECTION, 30 MFD, 5 MFD, 370 VAC (M1, M2, M4, M5, M6)	
141	B94575300	CAPACITOR, DUAL-SECTION, 35 MFD, 5 MFD, 370 VAC (M7, M8)	

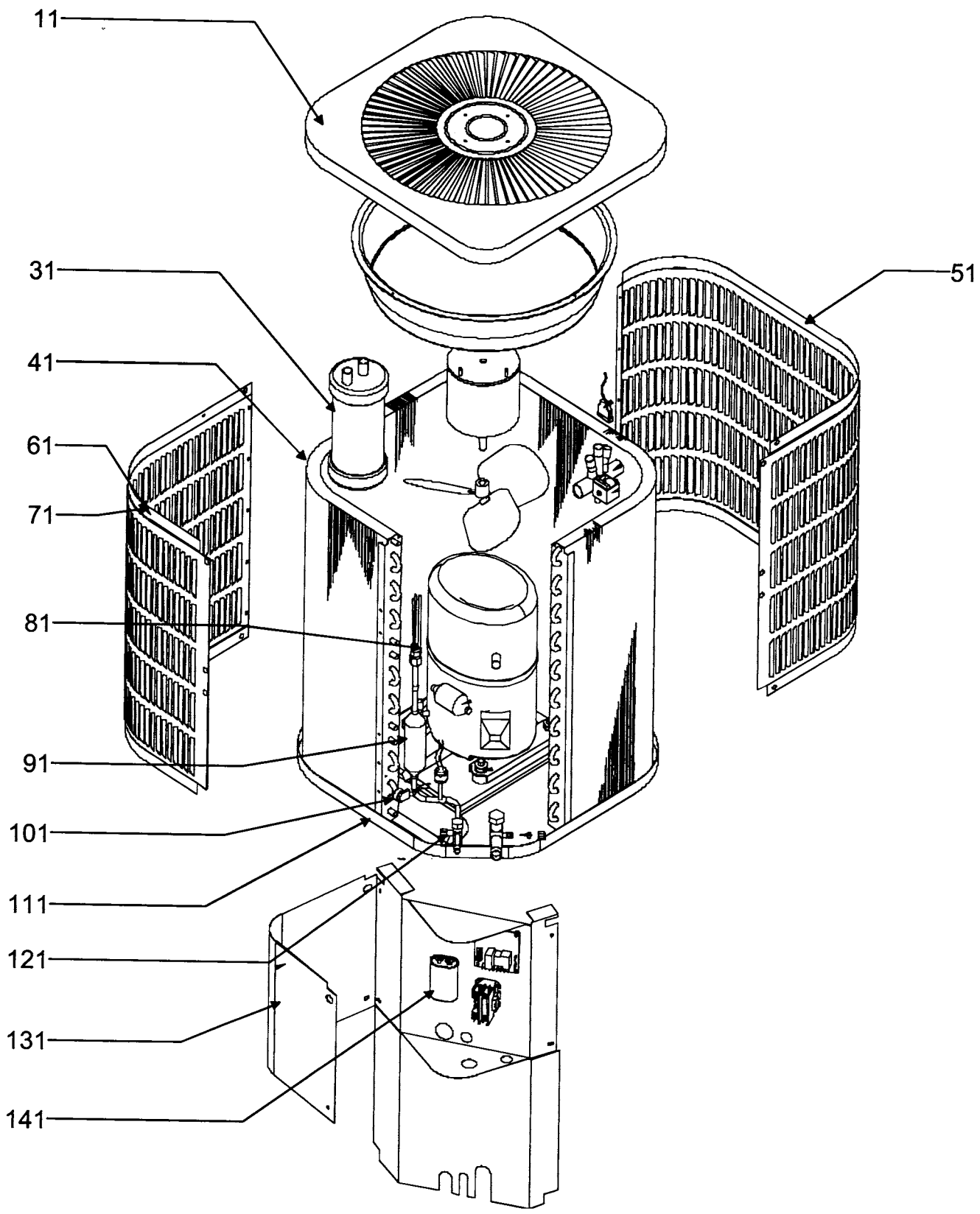
Louvered Chassis & Control (18 - 30-1A)



Louvered Chassis & Control (18 - 30-1A)

Ref. Part No: No:	Description:	Ref. Part No: No:	Description:
<i>Image 1:</i>		Expanded Model Nomenclature	
151	B13400252	MOTOR, CONDENSER, FAN, 208/230-60-1, 1 SPEED, PSC, 1075 RPM, 1/6 HP, 4 15/16BASE (M3, M6, M8)	M1 - CPLE18-1
151	B13400251	MOTOR, CONDENSER, FAN, 208/230-60-1, 1 SPEED, PSC, 1075 RPM, 1/6 HP, 5 5/8 BASE (M1, M2, M4, M5, M7)	M2 - CPLE18-1A
161	B1086771	18 X-SERIES FAN BLADE (M3, M6, M8)	M3 - CPLE18-1B
161	B1086756	FAN, CONDENSER, 3 BLADE, 18" DIA, (M1, M2, M4, M5, M7)	M4 - CPLE24-1
171	B1225020	SOLENOID COIL CORD	M5 - CPLE24-1A
181	B1227314	VALVE, REVERSING, RANCO #V2-310061-3GD (M1, M2, M3, M4, M5, M6)	M6 - CPLE24-1B
181	B1227316	VALVE, REVERSING, RANCO #V6-312081-1GD (M7, M8)	M7 - CPLE30-1
201	B9266834AS	COMPRESSOR, 208/230-60-1, BRISTOL #H29B22UABCA (M4, M5)	M8 - CPLE30-1A
201	B9266843AS	COMPRESSOR, 208/230-60-1, BRISTOL #H29B28UABCA (M7)	M9 - CPLE36-1
201	CR18K6PFV960	COMPRESSOR, CR18K6-PFV-260 (M3)	M10 - CPLE36-1A
201	CR22K6PFV970	COMPRESSOR, CR22K6-PFV-270 (M6)	M11 - CPLE42-1
201	CR28K6PFV960	COMPRESSOR, CR28K6-PFV-260 (M8)	M12 - CPLE42-1B
201	B9266854AS	COMPRESSOR, H29B17ABCA (M1, M2) OLD PN# B9266600A	M13 - CPLE48-1
211	B1360719	SWITCH, LOW PRESSURE, T.I. # 20-PS025GA025E007C, RANCO # 070-116020-G01	M14 - CPLE48-1A
221	B1219301	MUFFLER (1/2 X 1/2), PARKER # P54801-02 (M7)	M15 - CPLE48-3
221	B1219300	MUFFLER (3/8 X 3/8), PARKER # 054801-01 (M1, M2, M4, M5)	M16 - CPLE48-3A
231	B1339530	GROMMET, COMPRESSOR (M1, M2, M3, M4, M5, M6, M7, M8)	M17 - CPLE60-1
241	B1787000	CORE, VALVE (QTY 2)	M18 - CPLE60-3
251	B1282566	VALVE, BASE, SUCTION LINE, 3/4" SWEAT X 3/4" SWEAT (M1, M2, M3, M4, M5, M6, M7, M8)	
261	1787623	BOX, CONTROL	
271	B1226008	DEFROST CONTROL W/RELAY	
281	B1360321	CONTACTOR, 24 VOLT COIL, 125 LRA, 1 POLE, 25 AMP, (M1, M2, M3, M4, M5, M6, M7, M8)	
291	1787706P	PANEL, ACCESS, (22.5") (M1, M2, M3)	
291	1787709P	PANEL, ACCESS, (30.0") (M4, M5, M6, M7, M8)	

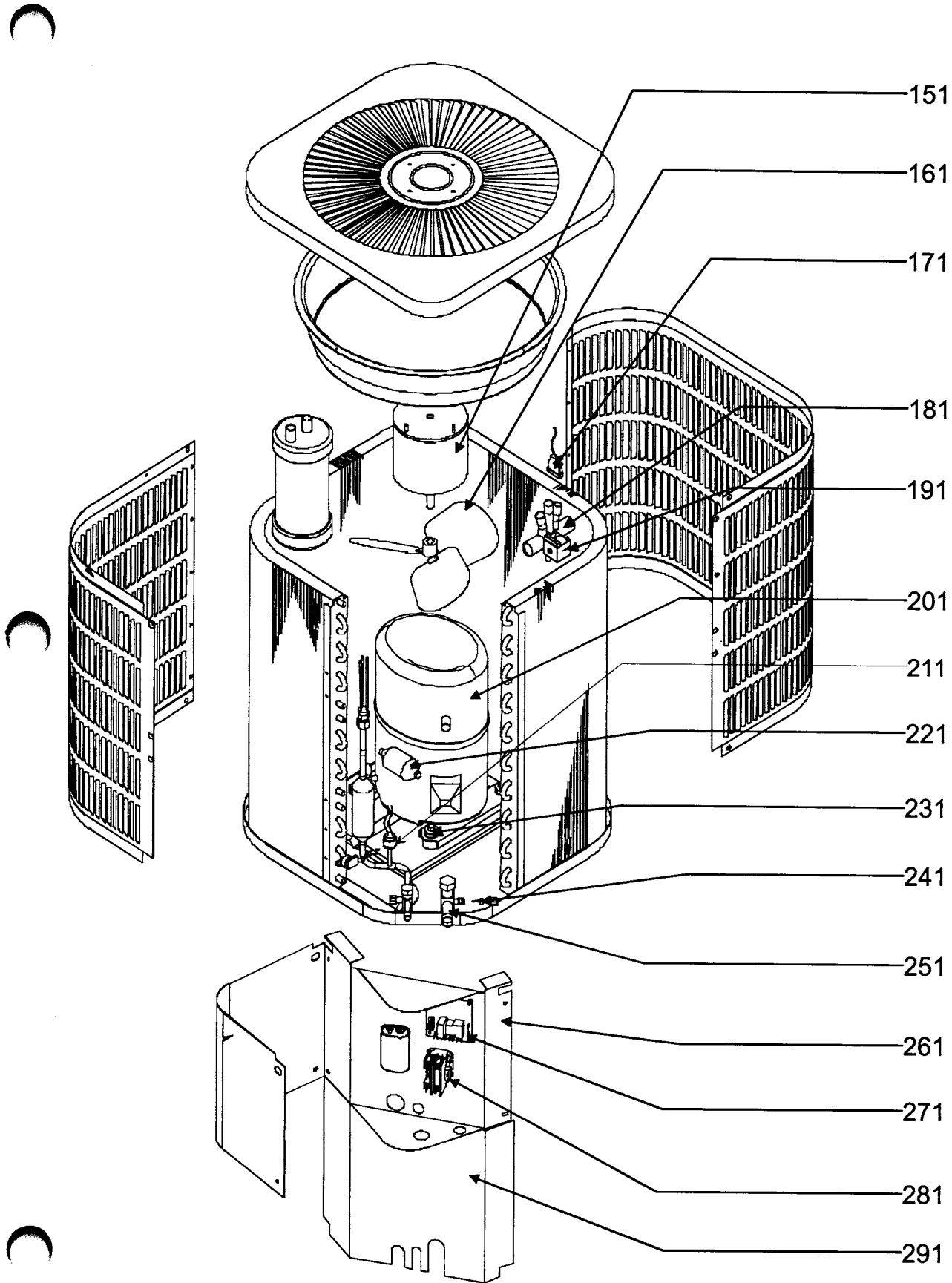
Louvered Chassis & Control (36 - 60-3)



Louvered Chassis & Control (36 - 60-3)

Ref. Part No: No:	Description:	Ref. Part No: No:	Description:
<i>Image 1:</i>		<i>Expanded Model Nomenclature</i>	
11	1779406P	PANEL, TOP (LOUVERED) (M9, M10, M11, M13, M15, M17, M18)	M1 - CPLE18-1
11	1779405P	TOP PANEL W/PAINT (M14)	M2 - CPLE18-1A
11	1779411P	TOP PANEL W/PAINT (M12, M16)	M3 - CPLE18-1B
31	B1226206	ACCUMULATOR (3/4 O.D.) (M9, M10)	M4 - CPLE24-1
31	B1226207	ACCUMULATOR (7/8 O.D.) (M11, M12, M13, M14, M15, M16, M17, M18)	M5 - CPLE24-1A
41	12622-10	SERVICE CRATED CONDENSOR COIL W/FILTER DRIER (M9)	M6 - CPLE24-1B
41	12622-21	SERVICE CRATED CONDENSOR COIL W/FILTER DRIER (M11)	M7 - CPLE30-1
41	12622-23	SERVICE CRATED CONDENSOR COIL W/FILTER DRIER (M13, M15, M17, M18)	M8 - CPLE30-1A
41	12622-38	SERVICE CRATED CONDENSOR COIL W/FILTER DRIER (M10)	M9 - CPLE36-1
41	12622-39	SERVICE CRATED CONDENSOR COIL W/FILTER DRIER (M12)	M10 - CPLE36-1A
41	12622-40	SERVICE CRATED CONDENSOR COIL W/FILTER DRIER (M14, M16)	M11 - CPLE42-1
51	1259560P	LOUVER PANEL H/PIN SIDE (M9, M10)	M12 - CPLE42-1B
51	1259561P	LOUVER PANEL H/PIN SIDE (M11, M12)	M13 - CPLE48-1
51	1259569P	LOUVER PANEL H/PIN SIDE (M13, M14, M15, M16, M17, M18)	M14 - CPLE48-1A
61	1259564P	LOUVER PANEL RETURN SIDE (M9, M10)	M15 - CPLE48-3
61	1259565P	LOUVER PANEL RETURN SIDE (M11, M12)	M16 - CPLE48-3A
61	1259572P	LOUVER PANEL RETURN SIDE (M13, M14, M15, M16, M17, M18)	M17 - CPLE60-1
81	B2114459	FLOWRATER W/COPPER (M10)	M18 - CPLE60-3
81	B2114465	FLOWRATER W/COPPER (M9)	
81	B2114665	FLOWRATER W/COPPER (M11, M12)	
81	B2114674	FLOWRATER W/COPPER (M13, M15)	
81	B2114676	FLOWRATER W/COPPER (M14, M16)	
81	B2114684	FLOWRATER W/COPPER (M17, M18)	
91	B1219204	DRIER, BI-FLOW. 3/8" x 3/8"	
101	B1370803	THERMOSTAT, DEFROST	
111	1787212P	PAN, BOTTOM (LARGE) (M9, M10, M11, M12, M13, M14, M15, M16, M17, M18)	
121	B1282571	VALVE, BASE, LIQUID LINE, 3/8" SWEAT X 5/16" SWEAT	
131	1787624P	CONTROL BOX COVER	
141	B94575500	CAPACITOR, DUAL SECTION, 40 MFD, 4 MFD, 370 VAC (M10)	
141	B94575400	CAPACITOR, DUAL-SECTION, 35 MFD, 5 MFD, 440 VAC (M11, M14)	
141	B94575600	CAPACITOR, DUAL-SECTION, 40 MFD, 5 MFD, 440 VAC (M12, M13)	
141	B94577200	CAPACITOR, DUAL-SECTION, 45 MFD, 5 MFD, 370 VAC (M9)	
141	B94577500	CAPACITOR, DUAL-SECTION, 60 MFD, 5 MFD, 370 VAC (M17)	
141	B945650	CAPACITOR, RUN, 5 MFD, 370 VAC (M15, M16, M18)	

Louvered Chassis & Control (36 - 60-3)



Louvered Chassis & Control (36 - 60-3)

Ref. Part No:	No:	Description:	Ref. Part No:	No:	Description:
<i>Image 1:</i>			291	1787710P	PANEL, ACCESS, (32.0") (M13, M14, M15, M16, M17, M18)
151	B13400255	MOTOR CONDENSER FAN, 208/230-60-1, 1 SPEED PSC, 1075 RPM, 1/4HP (M11)	Expanded Model Nomenclature		
151	B13400252	MOTOR CONDENSER FAN, 208/230-60-1, 1 SPEED PSC, 1075 RPM, 1/6HP (M14)	<div style="border: 1px solid black; padding: 5px;"> M1 - CPLE18-1 M2 - CPLE18-1A M3 - CPLE18-1B M4 - CPLE24-1 M5 - CPLE24-1A M6 - CPLE24-1B M7 - CPLE30-1 M8 - CPLE30-1A M9 - CPLE36-1 M10 - CPLE36-1A M11 - CPLE42-1 M12 - CPLE42-1B M13 - CPLE48-1 M14 - CPLE48-1A M15 - CPLE48-3 M16 - CPLE48-3A M17 - CPLE60-1 M18 - CPLE60-3 </div>		
151	B13400348	MOTOR CONDENSER FAN, 208/230-60-1, 1 SPEED PSC, 1075 RPM, 1/6HP (M12, M16)			
151	B13400247	MOTOR, CONDENSER, FAN, 208/230-60-1, 1 SPEED, PSC, 1075 RPM, 1/4 HP (M9, M10, M13, M15, M17, M18)			
161	B1086770	FAN, CONDENSER, 3 BLADE (M10)			
161	B1086771	FAN, CONDENSER, 3 BLADE, 18 IN. (M14)			
161	B1086750	FAN, CONDENSER, 3 BLADE, 24° PITCH, 22" DIA., (M9, M11, M13, M15, M17, M18)			
161	B1086766	FAN, CONDENSER, 4 BLADE, 28 PITCH (M12, M16)			
171	B1225020	SOLENOID COIL CORD			
181	B1227317	VALVE, REVERSING, RANCO #V10-314081-1GD (M11, M12, M13, M14, M15, M16, M17, M18)			
181	B1227316	VALVE, REVERSING, RANCO #V6-312081-1GD (M9, M10)			
201	B9266218AS	COMPRESSOR, 208/230-60-1, BRISTOL #H23A383ABCA (M11)			
201	B9266201AS	COMPRESSOR, 208/230-60-1, BRISTOL #H23A423ABCA (M13)			
201	B9266835AS	COMPRESSOR, 208/230-60-1, BRISTOL #H29B35UABCA (M9)			
201	B9266204AS	COMPRESSOR, 208/230-60-3, BRISTOL #H23A423DBLA (M15)			
201	CR35K6PFV960	COMPRESSOR, CR35K6-PFV-260 (M10)			
201	CR38K6PFV960	COMPRESSOR, CR38K6-PFV-260 (M12)			
201	CR42K6PFV960	COMPRESSOR, CR42K6-PFV-260 (M14)			
201	CR42K6TF5920	COMPRESSOR, CR42K6-TF5-920 (M16)			
201	ZR57KCPFV950	COMPRESSOR, ZR57KC-PFV-250 (M17)			
201	ZR57KCTF5930	OLD PN# B9266355 COMPRESSOR, ZR57KC-TF5-230 (M18) OLD PN# B9266353			
211	B1360719	SWITCH, LOW PRESSURE, T.I. # 20-PS025GA025E007C, RANCO # 070-116020-G01			
221	B1219301	MUFFLER (1/2 X 1/2), PARKER # P54801-02 (M9, M10, M11, M12, M13, M14, M15, M16, M17, M18)			
231	B1339530	GROMMET, COMPRESSOR (M9, M10, M11, M12, M13, M14, M15, M16)			
231	B1339533	GROMMET, COMPRESSOR (M17, M18)			
241	B1787000	CORE, VALVE (QTY 2)			
251	B1282566	VALVE, BASE, SUCTION LINE, 3/4" SWEAT X 3/4" SWEAT (M9, M10)			
251	B1282567	VALVE, BASE, SUCTION LINE, 7/8" SWEAT X 7/8" SWEAT (M11, M12, M13, M14, M15, M16, M17, M18)			
261	1787623	BOX, CONTROL			
271	B1226008	DEFROST CONTROL W/RELAY			
281	B1360321	CONTACTOR, 24 VOLT COIL, 125 LRA, 1 POLE, 25 AMP, (M9, M10, M11, M12)			
281	B1360324	CONTACTOR, 24 VOLT COIL, 150 LRA, 1 POLE, 30 AMP (M13, M14)			
281	B1360315	CONTACTOR, 24 VOLT COIL, 150 LRA, 3 POLE, 25 AMP, (M15, M16, M18)			
281	B1360305	CONTACTOR, 24 VOLT COIL, 200 LRA, 2 POLE, 40 AMP, (M17)			
291	1787707P	PANEL, ACCESS, (25.0") (M9, M10)			
291	1787709P	PANEL, ACCESS, (30.0") (M11, M12)			