

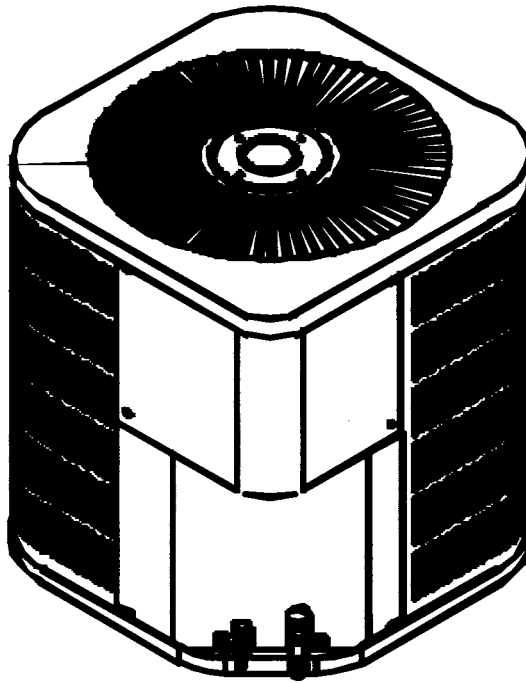


# REPAIR PARTS

---

## CLQ\*B (14 SEER) Condensing Units, Gray Painted Cabinet

CLQ24-1B  
CLQ30-1B  
CLQ36-1B  
CLQ42-1B  
CLQ48-1B  
CLQ60-1B



RP - 316  
August 2004

Made in the USA by:  
Goodman Manufacturing Company, L.P.  
2550 North Loop West, Suite 400  
Houston Texas 77092

This manual is to be used by qualified technicians only.

Copyright © 2004 Goodman Manufacturing Company, L.P.

## Important Information

---

Goodman Manufacturing Company, L.P. is not responsible for personal injury or property damage resulting from improper service. Review all service information before beginning repairs.

Warranty service must be performed by an authorized technician, using authorized factory parts. If service is required after the warranty expires, Goodman Manufacturing Company, L.P. also recommends contacting an authorized technician and using authorized factory parts.

For assistance within the U.S.A. contact:  
Consumer Affairs Department  
Goodman Manufacturing Company, L.P.  
7401 Security Way  
Houston, Texas 77040  
877-254-4729-Telephone  
713-863-2382-Facsimile

For assistance outside the U.S.A. contact:  
International Division  
Goodman Manufacturing Company, L.P.  
7401 Security Way  
Houston, Texas 77040  
713-861-2500-Telephone  
713-863-2382-Facsimile

## Index

Functional Parts List .....	5
Illustration and Parts .....	6 - 9

*Views shown are for parts illustrations only, not servicing procedures.*

### Text Codes:

AR - As Required

NA - Not Available

NS - Not Shown

00000000 - See Note

QTY - Quantity Example (QTY 3) (If Quantity not shown, Quantity = 1)

M - Model Example (M1) (If M Code not shown, then part is used on all Models)

### Expanded Model Nomenclature:

Example
M1 - Model#1
M2 - Model#2
M3 - Model#3



# Functional Parts

## Part

## No: Description:

---

B94575300	CAPACITOR, DUAL-SECTION, 35/5/370 (M1, M2)
B94577200	CAPACITOR, DUAL-SECTION, 45/5/370 (M3)
B94577400	CAPACITOR, DUAL-SECTION, 50/5/370 (M4)
B94575800	CAPACITOR, DUAL-SECTION, 55/5/440 (M5)
B94578800	CAPACITOR, DUAL-SECTION, 60/5/440 (M6)
ZR18K4PFV930	COMPRESSOR, ZR18K4-PFV-230 (M1)
ZR24K4PFV930	COMPRESSOR, ZR24K4-PFV-230 (M2)
ZR28K3PFV930	COMPRESSOR, ZR28K3-PFV-230 (M3)
ZR34K3PFV930	COMPRESSOR, ZR34K3-PFV-230 (M4)
ZR40K3PFV930	COMPRESSOR, ZR40K3-PFV-230 (M5)
ZR48K3PFV935	COMPRESSOR, ZR48K3-PFV-235 (M6)
12621-10	CRATED COND. SERVICE COIL W/DRIER (M1, M2)
12621-11	CRATED COND. SERVICE COIL W/DRIER (M3)
12621-13	CRATED COND. SERVICE COIL W/DRIER (M4)
12621-14	CRATED COND. SERVICE COIL W/DRIER (M5)
12621-15	CRATED COND. SERVICE COIL W/DRIER (M6)
B13400271	FAN MOTOR, 208/230-60-1, 830 RPM, 1/4 HP, CCW (M4, M5, M6)
B13400270	FAN MOTOR, 208/230-60-1, 830 RPM, 1/4 HP, CW (M3)
B1086764	FAN, 4 BLADE 22°P, 22" DIA. (M1, M2)
B1086769	FAN, 4 BLADE 22°P, 26" DIA. (M4, M5, M6)
B1086765	FAN, 4 BLADE 28°P, 22" DIA. (M3)
B1219225	FILTER DRIER (M5, M6)
B1219212	FILTER DRIER (M1, M2, M3, M4)
B1789890	FLOW CHECK PISTON KIT (M6)
B1789859	FLOW CHECK PISTON KIT (M1)
B1789868	FLOW CHECK PISTON KIT (M2)
B1789874	FLOW CHECK PISTON KIT (M3)
B1789880	FLOW CHECK PISTON KIT (M4)
B1789884	FLOW CHECK PISTON KIT (M5)

### SPECIAL PARTS

B13400348	FAN MOTOR, 208/230-60-1, 830 RPM, 1/6 HP (M1, M2)
IO-101	INSTALLATION AND OPERATION MANUAL
PW-302	PRODUCT WARRANTY
RP-316	REPAIR PARTS MANUAL
SS-339	SPECIFICATION SHEET
B260S8292	SPRAY PAINT, ARCHITECTURAL GRAY

### Expanded Model Nomenclature

M1 - CLQ24-1B
M2 - CLQ30-1B
M3 - CLQ36-1B
M4 - CLQ42-1B
M5 - CLQ48-1B
M6 - CLQ60-1B



# Components

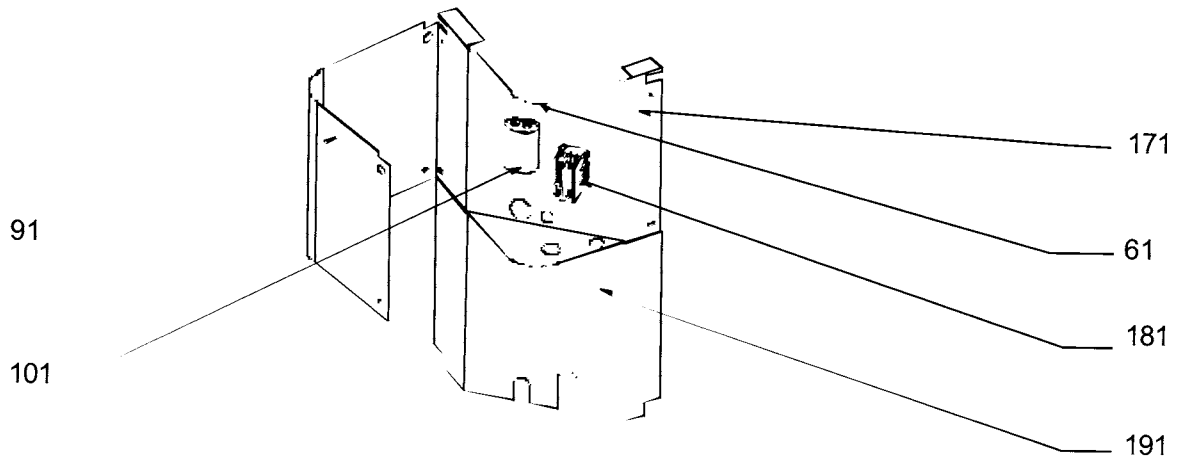
Ref. Part No:	Ref. Part No:	Description:
<i>Image 1:</i>		
11	1779412PDG	TOP PANEL, 29" (M1, M2, M3)
11	4279400PDG	TOP PANEL, 35" (M4, M5, M6)
21	12621-10	CRATED COND. SERVICE COIL W/DRIER (M1, M2)
21	12621-11	CRATED COND. SERVICE COIL W/DRIER (M3)
21	12621-13	CRATED COND. SERVICE COIL W/DRIER (M4)
21	12621-14	CRATED COND. SERVICE COIL W/DRIER (M5)
21	12621-15	CRATED COND. SERVICE COIL W/DRIER (M6)
31	1259561PDG	LOUVERED PANEL, 30.0", HAIRPIN SIDE (M1, M2)
31	4203410PDG	LOUVERED PANEL, 30.0", HAIRPIN SIDE (M4)
31	4203414PDG	LOUVERED PANEL, 35.0", HAIRPIN SIDE (M5)
31	1259562PDG	LOUVERED PANEL, 37.5", HAIRPIN SIDE (M3)
31	4203404PDG	LOUVERED PANEL, 40.0", HAIRPIN SIDE (M6)
41	B1219212	FILTER DRIER (M1, M2, M3, M4)
41	B1219225	FILTER DRIER (M5, M6)
51	1878212PDG	BOTTOM, BASEPAN, 29" (M1, M2, M3)
51	4279100PDG	BOTTOM, BASEPAN, 35" (M4, M5, M6)
71	B1488807	COMPRESSOR SOUND BLANKET (M4)
71	B1488810	COMPRESSOR SOUND BLANKET (M1, M2, M3)
71	B1488811	COMPRESSOR SOUND BLANKET (M5, M6)
81	B12825171	BASE VALVE, LIQUID LINE, 3/8" X 5/16"
111	B13400271	FAN MOTOR, 208/230-60-1, 830 RPM, 1/4 HP, CCW (M4, M5, M6)
111	B13400270	FAN MOTOR, 208/230-60-1, 830 RPM, 1/4 HP, CW (M3)
111	B13400348	FAN MOTOR, 208/230-60-1, 830 RPM, 1/6 HP (M1, M2)
121	B1086764	FAN, 4 BLADE 22°P, 22" DIA. (M1, M2)
121	B1086769	FAN, 4 BLADE 22°P, 26" DIA. (M4, M5, M6)
121	B1086765	FAN, 4 BLADE 28°P, 22" DIA. (M3)
131	ZR18K4PFV930	COMPRESSOR, ZR18K4-PFV-230 (M1)
131	ZR24K4PFV930	COMPRESSOR, ZR24K4-PFV-230 (M2)
131	ZR28K3PFV930	COMPRESSOR, ZR28K3-PFV-230 (M3)
131	ZR34K3PFV930	COMPRESSOR, ZR34K3-PFV-230 (M4)
131	ZR40K3PFV930	COMPRESSOR, ZR40K3-PFV-230 (M5)
131	ZR48K3PFV935	COMPRESSOR, ZR48K3-PFV-235 (M6)
141	B1339533	GROMMET, COMPRESSOR
151	B1787000	CORE, VALVE
161	B12825166	BASE VALVE, SUCTION LINE, 3/4" X 3/4" (M1, M2)
161	B12825167	BASE VALVE, SUCTION LINE, 7/8" X 7/8" (M3, M4, M5, M6)
9991	1259565PDG	LOUVERED PANEL, 30.0", RETURN SIDE (M1, M2)
9991	4203411PDG	LOUVERED PANEL, 30.0", RETURN SIDE (M4)
9991	4203415PDG	LOUVERED PANEL, 35.0", RETURN SIDE (M5)
9991	1259566PDG	LOUVERED PANEL, 37.5", RETURN SIDE (M3)
9991	4203405PDG	LOUVERED PANEL, 40.0", RETURN SIDE (M6)
NS	B1376923	FAN GRILL GUARD (M1, M2, M3)
NS	B1376925	FAN GRILL GUARD (M4, M5, M6)
NS	B1789859	FLOW CHECK PISTON KIT (M1)
NS	B1789868	FLOW CHECK PISTON KIT (M2)
NS	B1789874	FLOW CHECK PISTON KIT (M3)
NS	B1789880	FLOW CHECK PISTON KIT (M4)
NS	B1789884	FLOW CHECK PISTON KIT (M5)
NS	B1789890	FLOW CHECK PISTON KIT (M6)
NS	B1376927	MOTOR MOUNTING BRACKET (M4, M5, M6)
NS	B260S8292	SPRAY PAINT, ARCHITECTURAL GRAY

Ref. Part No:	Ref. Part No:	Description:
---------------	---------------	--------------

Expanded Model Nomenclature

M1 - CLQ24-1B
M2 - CLQ30-1B
M3 - CLQ36-1B
M4 - CLQ42-1B
M5 - CLQ48-1B
M6 - CLQ60-1B

# Control





# Control

**Ref. Part  
No: No:**

**Description:**

**Ref. Part  
No: No:**

**Description:**

*Image 1:*

91	1787624PDG	CONTROL BOX COVER (M1, M2, M3)
91	4223701PDG	CONTROL BOX COVER (M4, M5, M6)
101	B94575300	CAPACITOR, DUAL-SECTION, 35/5/370 (M1, M2)
101	B94577200	CAPACITOR, DUAL-SECTION, 45/5/370 (M3)
101	B94577400	CAPACITOR, DUAL-SECTION, 50/5/370 (M4)
101	B94575800	CAPACITOR, DUAL-SECTION, 55/5/440 (M5)
101	B94578800	CAPACITOR, DUAL-SECTION, 60/5/440 (M6)
171	1787623	CONTROL BOX (M1, M2, M3)
171	4287600	CONTROL BOX (M4, M5, M6)
181	B1360321	CONTACTOR, 25 AMP, 1 POLE (M1, M2, M3, M4)
181	B1360324	CONTACTOR, 30 AMP, 1 POLE (M5)
181	B1360305	CONTACTOR, 40 AMP, 2 POLE (M6)
191	1787709PDG	ACCESS PANEL, 30.0" (M1, M2)
191	4223705PDG	ACCESS PANEL, 30.0" (M4)
191	4223707PDG	ACCESS PANEL, 35.0" (M5)
191	1787717PDG	ACCESS PANEL, 37.5" (M3)
191	4223700PDG	ACCESS PANEL, 40.0" (M6)
NS	1284835	CAPACITOR STRAP

Expanded Model Nomenclature

M1 - CLQ24-1B
M2 - CLQ30-1B
M3 - CLQ36-1B
M4 - CLQ42-1B
M5 - CLQ48-1B
M6 - CLQ60-1B