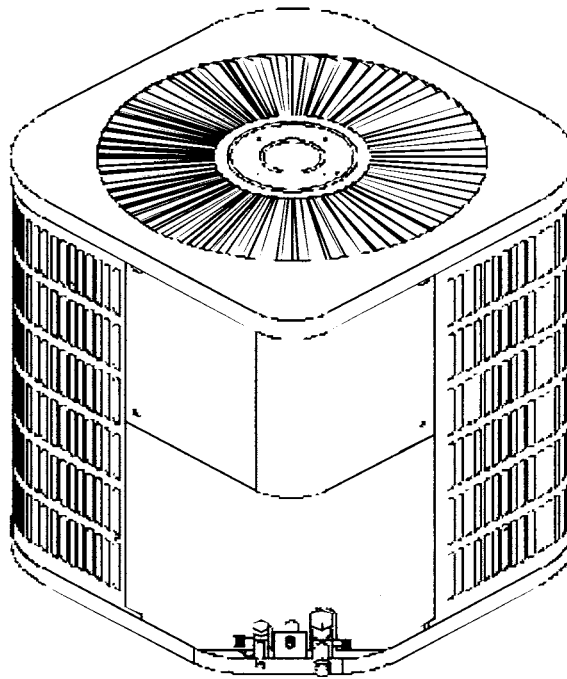




# REPAIR PARTS

## CLJ\*C Remote 10 SEER Condensing Units Gray Painted Models

CLJ18-1C  
CLJ24-1C  
CLJ30-1C  
CLJ36-1C  
CLJ42-1C  
CLJ48-1C  
CLJ60-1C  
CLJ64-1C



RP - 260  
August 2004

Made in the USA by:  
Goodman Manufacturing Company, L.P.  
2550 North Loop West, Suite 400  
Houston Texas 77092

This manual is to be used by qualified technicians only.

Copyright © 2004 Goodman Manufacturing Company, L.P.

## Important Information

---

Goodman Manufacturing Company, L.P. is not responsible for personal injury or property damage resulting from improper service. Review all service information before beginning repairs.

Warranty service must be performed by an authorized technician, using authorized factory parts. If service is required after the warranty expires, Goodman Manufacturing Company, L.P. also recommends contacting an authorized technician and using authorized factory parts.

For assistance within the U.S.A. contact:

Consumer Affairs Department  
Goodman Manufacturing Company, L.P.  
7401 Security Way  
Houston, Texas 77040  
877-254-4729-Telephone  
713-863-2382-Facsimile

For assistance outside the U.S.A. contact:

International Division  
Goodman Manufacturing Company, L.P.  
7401 Security Way  
Houston, Texas 77040  
713-861-2500-Telephone  
713-863-2382-Facsimile

# Index

Functional Parts List .....	4 - 5
Illustration and Parts .....	6 - 9

*Views shown are for parts illustrations only, not servicing procedures.*

### Text Codes:

AR - As Required

NA - Not Available

NS - Not Shown

00000000 - See Note

QTY - Quantity Example (QTY 3) (If Quantity not shown, Quantity = 1)

M - Model Example (M1) (If M Code not shown, then part is used on all Models)

### Expanded Model Nomenclature:

Example
M1 - Model#1
M2 - Model#2
M3 - Model#3

# Functional Parts

## Part

No: Description:

---

B94576000	CAPACITOR DUAL SECTION, 25/5/370 (M1, M2)
B94575300	CAPACITOR DUAL SECTION, 35/5/370 (M4)
B94575500	CAPACITOR DUAL SECTION, 40/5/370 (M3)
B94577400	CAPACITOR DUAL SECTION, 50/5/370 (M5)
B94577500	CAPACITOR DUAL SECTION, 60/5/370 (M6)
B94577600	CAPACITOR DUAL SECTION, 80/5/370 (M7, M8)
CR16K6PFV920	COMPRESSOR, CR16K6-PFV-220 (M1)
CR18K6PFV920	COMPRESSOR, CR18K6-PFV-220 (M2)
CR24K7PFV930	COMPRESSOR, CR24K7-PFV-230 (M3)
CR30K6PFV920	COMPRESSOR, CR30K6-PFV-223, OLD PN# B9266373 (M4)
CR34K6PFV920	COMPRESSOR, CR34K6-PFV-220 (M5)
ZR42K3PFV930	COMPRESSOR, ZR42K3-PFV-230, OLD PN# B9266352 (M6)
ZR54K3PFV930	COMPRESSOR, ZR54K3-PFV-230, OLD PN# B9266349 (M7)
ZR61K3PFV950	COMPRESSOR, ZR61K3-PFV-250, OLD PN# B9266393 (M8)
12621-12	CRATED COND. SERVICE COIL W/DRIER (M7)
12621-09	CRATED COND. SERVICE COIL W/DRIER (M4)
12621-03	CRATED COND. SERVICE COIL W/DRIER (M1)
12621-05	CRATED COND. SERVICE COIL W/DRIER (M2)
12621-07	CRATED COND. SERVICE COIL W/DRIER (M3)
12621-10	CRATED COND. SERVICE COIL W/DRIER (M5, M6)
12621-15	CRATED COND. SERVICE COIL W/DRIER (M8)
B1086750	FAN BLADE, 3 BLADE, 29°P, 22" DIA. (M7)
B1086748	FAN BLADE, 3 BLADE, 30°P, 22" DIA. (M4, M5)
B1086771	FAN BLADE, 3 BLADE, 32°P, 18" DIA. (M1, M2)
B1086770	FAN BLADE, 4 BLADE, 22°P, 26" DIA. (M3, M6)
B1086769	FAN BLADE, 4 BLADE, 22°P, 26" DIA.,CW (M8)
B13400247	FAN MOTOR, 208/230-60-1, 1/4 HP, 1 SPD, 1075 RPM (M6, M7)
B13400270	FAN MOTOR, 208/230-60-1, 1/4 HP, 1 SPD, 830 RPM (M4, M5)
B13400271	FAN MOTOR, 208/230-60-1, 1/4 HP, 1 SPD, 830 RPM, CW (M8)
B13400348	FAN MOTOR, 208/230-60-1, 1/6 HP, 1 SPD, 840 RPM (M3)
B13400252	FAN MOTOR, 208/230-60-1, 1/6 HP, 1 SPD, 1075 RPM (M1, M2)
B1219225	FILTER-DRIER (M6, M7, M8)
B1209212	FILTER-DRIER (M1, M2, M3, M4, M5)

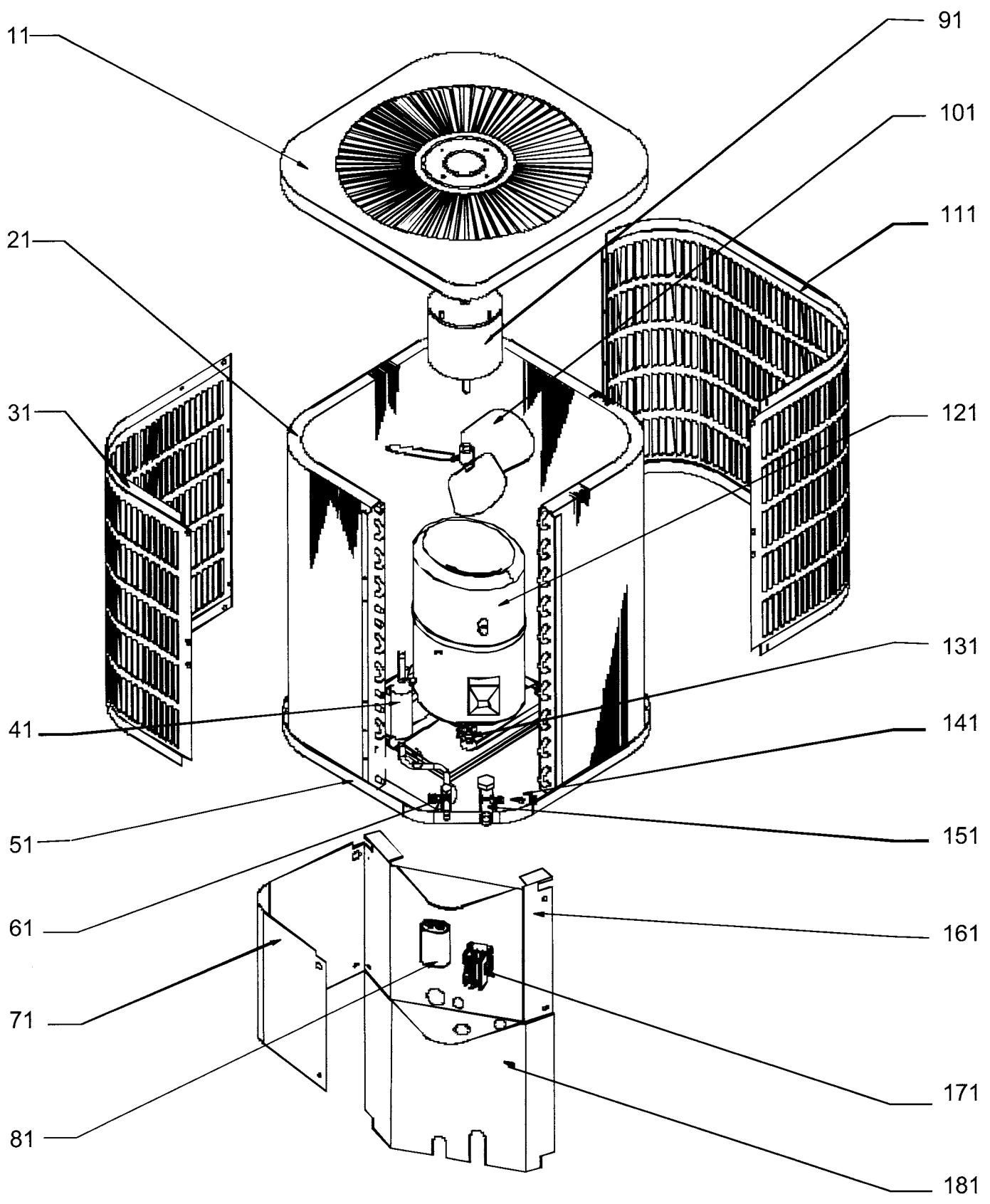
## SPECIAL PARTS

IO-101	MANUAL, INSTALLATION AND OPERATION
RP-260	MANUAL, PARTS
PW-309	PRODUCT WARRANTY
SS-336	SPECIFICATION SHEET
B260S8292	SPRAY PAINT, ARCHITECTURAL GRAY

## Expanded Model Nomenclature

M1 - CLJ18-1C
M2 - CLJ24-1C
M3 - CLJ30-1C
M4 - CLJ36-1C
M5 - CLJ42-1C
M6 - CLJ48-1C
M7 - CLJ60-1C
M8 - CLJ64-1C

# CLJ18 - 36-1C Chassis and Control Box



# CLJ18 - 36-1C Chassis and Control Box

## Ref. Part

No: No: Description:

## Ref. Part

No: No: Description:

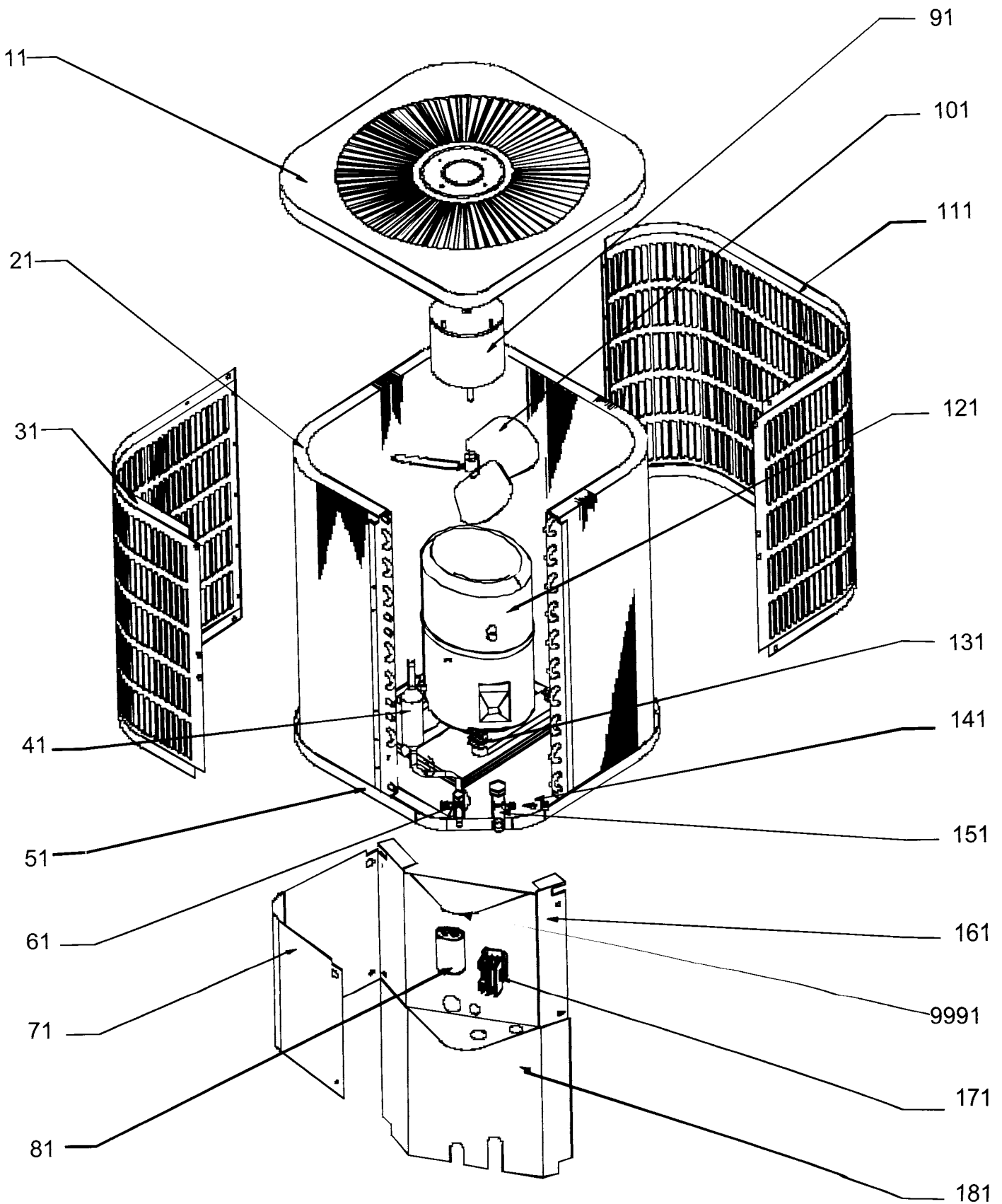
### Image 1:

11	1779405PDG	TOP PANEL (LOUVERED) (M1, M2)
11	1779406PDG	TOP PANEL (LOUVERED) (M3)
11	1779415PDG	TOP PANEL (LOUVERED) (M4)
21	12621-03	CRATED COND. SERVICE COIL W/DRIER (M1)
21	12621-05	CRATED COND. SERVICE COIL W/DRIER (M2)
21	12621-07	CRATED COND. SERVICE COIL W/DRIER (M3)
21	12621-09	CRATED COND. SERVICE COIL W/DRIER (M4)
31	1259551PDG	LOUVERED PANEL, 25.0", HAIRPIN SIDE (M1)
31	1259560PDG	LOUVERED PANEL, 25.0", HAIRPIN SIDE (M3)
31	1259568PDG	LOUVERED PANEL, 27.5", HAIRPIN SIDE (M4)
31	1259553PDG	LOUVERED PANEL, 30.0", HAIRPIN SIDE (M2)
41	B1209212	FILTER-DRIER (M1, M2, M3, M4)
51	1787212PDG	BOTTOM PAN, LARGE (M3, M4)
51	1787211PDG	BOTTOM PAN, SMALL (M1, M2)
61	B12825171	BASE VALVE, LIQUID LINE (3/8" X 5/16") (M1, M2, M3, M4)
71	1787624PDG	CONTROL BOX COVER (M1, M2, M3, M4)
81	B94576000	CAPACITOR DUAL SECTION, 25/5/370 (M1, M2)
81	B94575300	CAPACITOR DUAL SECTION, 35/5/370 (M4)
81	B94575500	CAPACITOR DUAL SECTION, 40/5/370 (M3)
91	B13400270	FAN MOTOR, 208/230-60-1, 1/4 HP, 1 SPD, 830 RPM (M4)
91	B13400348	FAN MOTOR, 208/230-60-1, 1/6 HP, 1 SPD, 840 RPM (M3)
91	B13400252	FAN MOTOR, 208/230-60-1, 1/6 HP, 1 SPD, 1075 RPM (M1, M2)
101	B1086748	FAN BLADE, 3 BLADE, 30°P, 22" DIA. (M4.)
101	B1086771	FAN BLADE, 3 BLADE, 32°P, 18" DIA. (M1, M2)
101	B1086770	FAN BLADE, 4 BLADE, 22°P, 26" DIA. (M3)
111	1259556PDG	LOUVERED PANEL, 25.0", RETURN SIDE (M1)
111	1259564PDG	LOUVERED PANEL, 25.0", RETURN SIDE (M3)
111	1259571PDG	LOUVERED PANEL, 27.5", RETURN SIDE (M4)
111	1259558PDG	LOUVERED PANEL, 30.0", RETURN SIDE (M2)
121	CR16K6PFV920	COMPRESSOR, CR16K6-PFV-220 (M1)
121	CR18K6PFV920	COMPRESSOR, CR18K6-PFV-220 (M2)
121	CR24K7PFV930	COMPRESSOR, CR24K7-PFV-230 (M3)
121	CR30K6PFV920	COMPRESSOR, CR30K6-PFV-223, OLD PN# B9266373 (M4)
131	B1339530	GROMMET, COMPRESSOR (M1, M2, M3, M4)
141	B1787000	VALVE CORE
151	B12825166	SUCTION BASE VALVE, (3/4" X 3/4")
161	1787623	CONTROL BOX COVER (M1, M2, M3, M4)
171	B1360321	CONTACTOR, 25 AMP, 1 POLE (M1, M2, M3, M4)
181	1787707PDG	ACCESS PANEL (M1, M3)
181	1787708PDG	ACCESS PANEL (M4)
181	1787709PDG	ACCESS PANEL (M2)
NS	1284835	CAPACITOR STRAP (M1, M2, M3, M4)
NS	B260S8292	SPRAY PAINT, ARCHITECTURAL GRAY

### Expanded Model Nomenclature

M1 - CLJ18-1C
M2 - CLJ24-1C
M3 - CLJ30-1C
M4 - CLJ36-1C
M5 - CLJ42-1C
M6 - CLJ48-1C
M7 - CLJ60-1C
M8 - CLJ64-1C

# CLJ42 - 64-1C Chassis and Control Box



# CLJ42 - 64-1C Chassis and Control Box

**Ref. Part**

**No: No:**

**Description:**

**Ref. Part**

**No: No:**

**Description:**

*Image 1:*

11	4279400PDG	TOP PANEL (M8)
11	1779406PDG	TOP PANEL (LOUVERED) (M6, M7)
11	1779415PDG	TOP PANEL (LOUVERED) (M5)
21	12621-10	CRATED COND. SERVICE COIL W/DRIER (M5, M6)
21	12621-12	CRATED COND. SERVICE COIL W/DRIER (M7)
21	12621-15	CRATED COND. SERVICE COIL W/DRIER (M8)
31	1259561PDG	LOUVERED PANEL, 30.0", HAIRPIN SIDE (M5, M6)
31	1259563PDG	LOUVERED PANEL, 40.0", HAIRPIN SIDE (M7)
31	4203404PDG	LOUVERED PANEL, 40.0", HAIRPIN SIDE (M8)
41	B1209212	FILTER-DRIER (M5)
41	B1219225	FILTER-DRIER (M6, M7, M8)
51	1787212PDG	BOTTOM PAN, LARGE (M5, M6, M7)
51	4279100PDG	BOTTOM PAN, LARGE, 35" (M8)
61	B12825171	BASE VALVE, LIQUID LINE (3/8" X 5/16") (M5, M6, M7, M8)
71	1787624PDG	CONTROL BOX COVER (M5, M6, M7)
71	4223701PDG	CONTROL BOX COVER (M8)
81	B94577400	CAPACITOR DUAL SECTION, 50/5/370 (M5)
81	B94577500	CAPACITOR DUAL SECTION, 60/5/370 (M6)
81	B94577600	CAPACITOR DUAL SECTION, 80/5/370 (M7, M8)
91	B13400247	FAN MOTOR, 208/230-60-1, 1/4 HP, 1 SPD, 1075 RPM (M6, M7)
91	B13400270	FAN MOTOR, 208/230-60-1, 1/4 HP, 1 SPD, 830 RPM (M5)
91	B13400271	FAN MOTOR, 208/230-60-1, 1/4 HP, 1 SPD, 830 RPM, CW (M8)
101	B1086750	FAN BLADE, 3 BLADE, 29°P, 22" DIA. (M7)
101	B1086748	FAN BLADE, 3 BLADE, 30°P, 22" DIA. (M5)
101	B1086770	FAN BLADE, 4 BLADE, 22°P, 26" DIA., CCW (M6)
101	B1086769	FAN BLADE, 4 BLADE, 22°P, 26" DIA., CW (M8)
111	1259565PDG	LOUVERED PANEL, 30.0", RETURN SIDE (M5, M6)
111	1259567PDG	LOUVERED PANEL, 40.0", RETURN SIDE (M7)
111	4203405PDG	LOUVERED PANEL, 40.0", RETURN SIDE (M8)
121	CR34K6PFV920	COMPRESSOR, CR34K6-PFV-220 (M5)
121	ZR42K3PFV930	COMPRESSOR, ZR42K3-PFV-230, OLD PN# B9266352 (M6)
121	ZR54K3PFV930	COMPRESSOR, ZR54K3-PFV-230, OLD PN# B9266349 (M7)
121	ZR61K3PFV950	COMPRESSOR, ZR61K3-PFV-250, OLD PN# B9266393 (M8)
131	B1339530	GROMMET, COMPRESSOR (M5)
131	B1339533	GROMMET, COMPRESSOR (M6, M7, M8)
141	B1787000	VALVE CORE
151	B12825166	SUCTION BASE VALVE, (3/4" X 3/4")
161	1787623	CONTROL BOX COVER (M5, M6, M7)
161	4202006	CONTROL BOX COVER (M8)
171	B1360321	CONTACTOR, 25 AMP, 1 POLE (M5)
171	B1360324	CONTACTOR, 30 AMP, 1 POLE (M6)
171	B1360305	CONTACTOR, 40 AMP, 1 POLE (M7, M8)
181	1787709PDG	ACCESS PANEL, 30" (M5, M6)
181	4223700PDG	ACCESS PANEL, 35" (M8)
181	1787718PDG	ACCESS PANEL, 40" (M7)
NS	1284835	CAPACITOR STRAP (M5, M6, M7, M8)
NS	B1488806	COMPRESSOR SOUND BLANKET (M8)
NS	B1376925	FAN GRILL GUARD, 26" (M8)
NS	B1376927	MOTOR MOUNT BRACKET (M8)

NS B260S8292 SPRAY PAINT, ARCHITECTURAL GRAY

Expanded Model Nomenclature

M1 - CLJ18-1C
M2 - CLJ24-1C
M3 - CLJ30-1C
M4 - CLJ36-1C
M5 - CLJ42-1C
M6 - CLJ48-1C
M7 - CLJ60-1C
M8 - CLJ64-1C



