



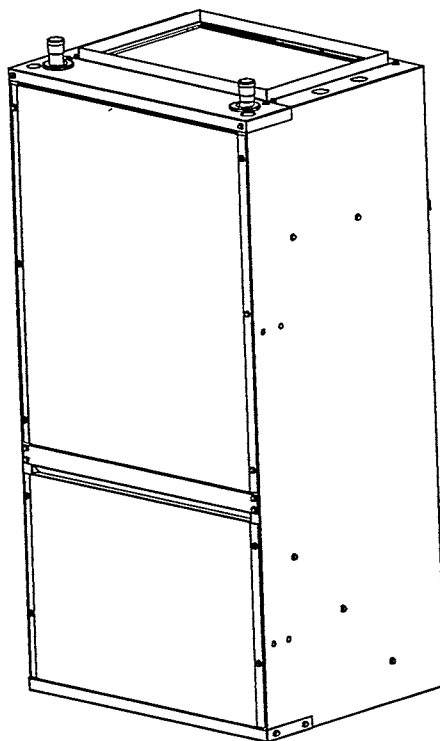
# REPAIR PARTS

## AH Series Hydronic Air Handlers

Except in the case of AH\*FR, the last letter of the model number represents the revision level; example: AH1826-1A is AH1826-1rev.A.

Models covered  
in this manual

- AH1826-1
- AH1826-1A
- AH1826-1B
- AH1826-1C
- AH2429-1
- AH2429-1A
- AH2429-1B
- AH3043-1
- AH3043-1A
- AH3043-1B
- AH3043-1FR
- AH3645-1
- AH3645-1A
- AH3645-1B
- AH3645-1FR



Made in the USA by:  
Goodman Manufacturing Company, L.P.  
2550 North Loop West, Suite 400  
Houston Texas 77092

RP - 208C  
July 2003

This manual is to be used by  
qualified technicians only.

This manual replaces RP-208B.  
Copyright © 2003 Goodman Manufacturing Company, L.P.

## Important Information

---

Goodman is not responsible for personal injury or property damage resulting from improper service. Review all service information before beginning repairs.

Warranty service must be performed by an authorized technician, using authorized factory parts. If service is required after the warranty expires, Goodman also recommends contacting an authorized technician and using authorized factory parts.

For assistance within the U.S.A. contact:  
Consumer Affairs Department  
Goodman Manufacturing Company, L.P.  
7401 Security Way  
Houston, Texas 77040  
877-254-4729-Telephone  
713-863-2382-Facsimile

For assistance outside the U.S.A. contact:  
International Division  
Goodman Manufacturing Company, L.P.  
7401 Security Way  
Houston, Texas 77040  
713-861-2500-Telephone  
713-863-2382-Facsimile

# Index

Functional Parts List .....	4 - 5
Illustration and Parts .....	6 - 9

*Views shown are for parts illustrations only, not servicing procedures.*

Revision C: Adds time delay board and corresponding control box to repair parts lists.

### Text Codes:

AR - As Required

NA - Not Available

NS - Not Shown

00000000 - See Note

QTY - Quantity Example (QTY 3) (If Quantity not shown, Quantity = 1)

M - Model Example (M1) (If M Code not shown, then part is used on all Models)

### Expanded Model Nomenclature:

Example

M1 - Model#1

M2 - Model#2

M3 - Model#3

## Functional Parts

### Part

### No:

### Description:

---

37970-01	ASM.; HYDRONIC COIL TUBING (COMPLETE) (M3, M4, M7, M8, M11; M12, M13, M14, M17, M18)
37970-00	ASM.; HYDRONIC COIL TUBING (COMPLETE) (M1, M2, M5, M6, M9, M10, M15, M16)
37960-03	ASSEMBLY; EVAP. COIL TUBING (COMPLETE) (M4, M8, M12, M14, M18)
37960-00	ASSEMBLY; EVAP. COIL TUBING (COMPLETE) (M1, M5, M9, M15)
37960-01	ASSEMBLY; EVAP. COIL TUBING (COMPLETE) (M2, M6, M10, M16)
37960-10	ASSEMBLY; EVAP. COIL TUBING (COMPLETE) (M3, M7, M11, M13, M17)
BT13690-00	ASSEMBLY; FEEDER TUBE 12" X 3" .049 ORF. (M1, M5, M9, M15)
BT13690-01	ASSEMBLY; FEEDER TUBE 12" X 4" .059 ORF. (M2, M6, M10, M16)
BT13690-02	ASSEMBLY; FEEDER TUBE 20" X 6" .065 ORF. (M3, M7, M11, M13, M17)
BT13690-03	ASSEMBLY; FEEDER TUBE 20" X 6" .071 ORF. (M4, M8, M12, M14, M18)
B1370735	BOARD; TIME DELAY (M9, M10, M15, M16, M17, M18)
BT13400-11	MOTOR; DIRECT DRIVE, 1/3HP
BT1400003	POWERHEAD; PUMP REPLACEMENT GRUNDFOS (M5, M6, M7, M8, M9, M10, M11, M12, M13, M14, M15, M16, M17, M18)
BT14000-01	POWERHEAD; PUMP REPLACEMENT TACO (M1, M2, M3, M4)
BT1400002	PUMP; GRUNDFOS (W/POWERHEAD) (M5, M6, M7, M8, M9, M10, M11, M12, M13, M14, M15, M16, M17, M18)
BT14000-00	PUMP; TACO (W/POWERHEAD) (M1, M2, M3, M4)
BT13707-01	RELAY; PUMP
BT13707-00	RELAY; TIME DELAY (M1, M2, M3, M4, M5, M6, M7, M8, M9, M10, M11, M12, M13, M14, M17, M18)
BT13708-20	SWITCH; MOMENTARY PLUNGER
BT11416-00	TRANSFORMER; 24V.
BT13680-08	WHEEL; 10" X 6" BLOWER (M2, M6, M10, M16)
BT13680-10	WHEEL; 10" X 8" BLOWER (M4, M8, M12, M14, M18)
BT13680-07	WHEEL; 9" X 6" BLOWER (M1, M5, M9, M15)
BT13680-09	WHEEL; 9" X 8" BLOWER (M3, M7, M11, M13, M17)

Except in the case of AH\*FR, the last letter of the model number represents the revision level; example: AH1826-1A is AH1826-1rev.A.

# Functional Parts

**Part No:**            **Description:**

---

## SPECIAL PARTS

BT13696-06    AIR FILTER 16 X 20 X 1 (M13, M14, M17, M18)  
REPLACE FILTER WITH A 1"X14"X18" FOR AH1826-1 & AH2429-1 AND A 1"X22"X22" FOR AH3043-1 & AH3645-1. FOR AH3043-1FR & AH3645-1FR USE 16 X 20 X 1 FILTER.

IO-164E        I&O MANUAL

PKC-00M       PISTON KIT CHART

PW-101V       PRODUCT WARRANTY

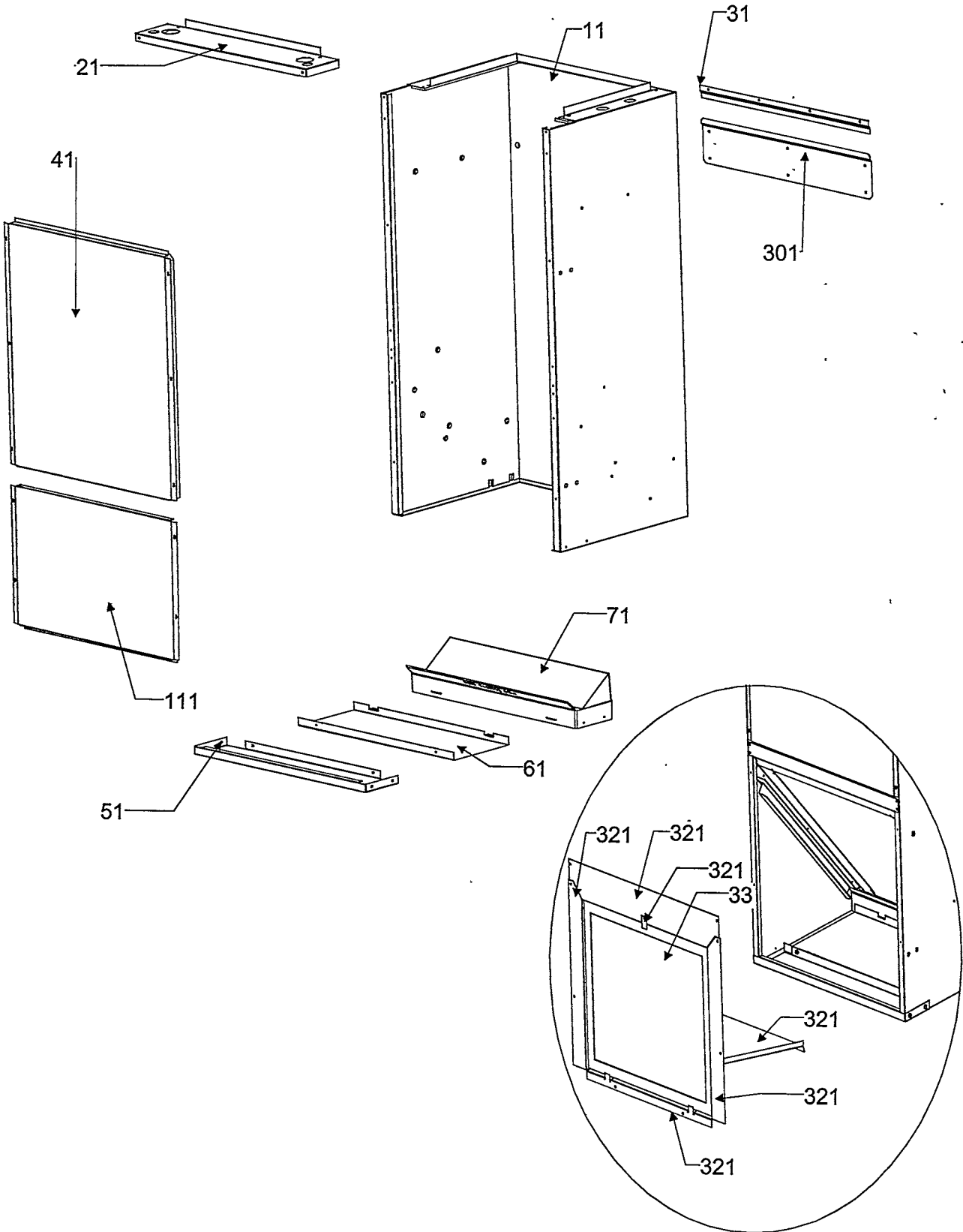
RP-208C       REPAIR PARTS MANUAL

## Expanded Model Nomenclature

M1 - AH1826-1
M2 - AH2429-1
M3 - AH3043-1
M4 - AH3645-1
M5 - AH1826-1A
M6 - AH2429-1A
M7 - AH3043-1A
M8 - AH3645-1A
M9 - AH1826-1B
M10 - AH2429-1B
M11 - AH3043-1B
M12 - AH3645-1B
M13 - AH3043-1FR
M14 - AH3645-1FR
M15 - AH1826-1C
M16 - AH2429-1C
M17 - AH3043-1FRA
M18 - AH3645-1FRA

Except in the case of AH\*FR, the last letter of the model number represents the revision level; example: AH1826-1A is AH1826-1rev.A.

# Cabinet

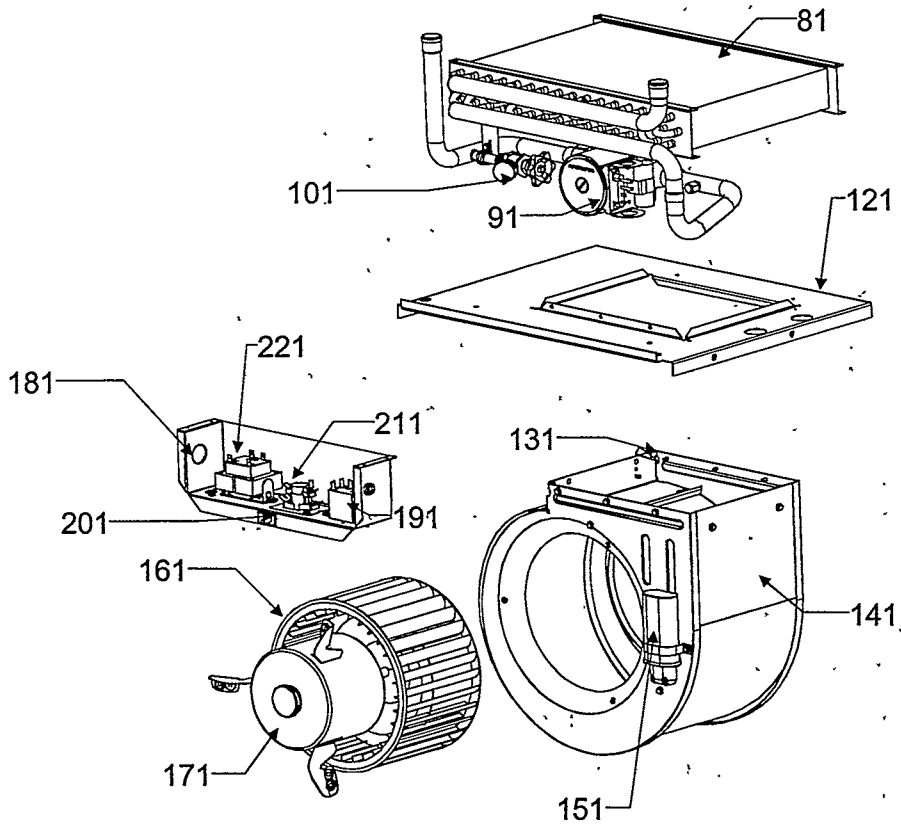


# Cabinet

Ref. Part No:	Description:	Ref. Part No:	Description:
<i>Image 1:</i>		<b>Expanded Model Nomenclature</b>	
11	37700-24 WRAPPER; LARGE (W/ INSULATION) (M3, M4, M7, M8, M11, M12, M13, M14, M17, M18)	M1 - AH1826-1	
11	37700-23 WRAPPER; SMALL (W/ INSULATION) (M1, M2, M5, M6, M9, M10, M15, M16)	M2 - AH2429-1	
21	37700-26 TOP; LARGE WRAPPER (W/ INSULATION) (M3, M4, M7, M8, M11, M12, M13, M14, M17, M18)	M3 - AH3043-1	
21	37700-25 TOP; SMALL WRAPPER (W/ INSULATION) (M1, M2, M5, M6, M9, M10, M15, M16)	M4 - AH3645-1	
31	37025-00 BRACKET, LARGE HANGING (M3, M4, M7, M8, M11, M12, M13, M14, M17, M18)	M5 - AH1826-1A	
31	37025-01 BRACKET; SMALL HANGING (M1, M2, M5, M6, M9, M10, M15, M16)	M6 - AH2429-1A	
41	37015-01 PANEL; FRONT ACCESS LARGE (M3, M4, M7, M8, M11, M12, M13, M14, M17, M18)	M7 - AH3043-1A	
41	37015-03 PANEL; FRONT ACCESS SMALL (M1, M2, M5, M6, M9, M10, M15, M16)	M8 - AH3645-1A	
51	37023-01 PLATE; LARGE BOTTOM TIE (M3, M4, M7, M8, M11, M12, M13, M14, M17, M18)	M9 - AH1826-1B	
51	37023-03 PLATE; SMALL BOTTOM TIE (M1, M2, M5, M6, M9, M10, M15, M16)	M10 - AH2429-1B	
61	37015-00 PANEL; LARGE DRAIN ACCESS (M3, M4, M7, M8, M11, M12, M13, M14, M17, M18)	M11 - AH3043-1B	
61	37015-02 PANEL; SMALL DRAIN ACCESS (M1, M2, M5, M6, M9, M10, M15, M16)	M12 - AH3645-1B	
71	37700-28 ASM.; LARGE INSULATED DRAIN PAN (M11, M12, M13, M14, M17, M18)	M13 - AH3043-1FR	
71	37700-27 ASM.; SMALL INSULATED DRAIN PAN (M9, M10, M13, M14, M15, M16, M17, M18)	M14 - AH3645-1FR	
71	BT30765-01 PAN, LARGE DRAIN (M3, M4, M7, M8, M11, M12, M13, M14, M17, M18)	M15 - AH1826-1C	
71	BT30765-00 PAN, SMALL DRAIN (M1, M2, M5, M6, M9, M10, M15, M16)	M16 - AH2429-1C	
301	37028-00 VAH FIELD HANGING BRACKET (M5, M6, M7, M8, M9, M10, M11, M12, M13, M14, M15, M16, M17, M18)	M17 - AH3043-1FRA	
321	DSK-03 DRIP SHIELD KIT (M13, M14, M17, M18)	M18 - AH3645-1FRA	
331	BT13696-06 AIR FILTER 16 X 20 X 1 (M13, M14, M17, M18) REPLACE FILTER WITH A 1"X14"X18" FOR AH1826-1 & AH2429-1 AND A 1"X22"X22" FOR AH3043-1 & AH3645-1. FOR AH3043-1FR & AH3645-1FR USE 16 X 20 X 1 FILTER.		

Except in the case of AH\*FR, the last letter of the model number represents the revision level; example: AH1826-1A is AH1826-1rev.A.

# Blower, Hydronic Coil



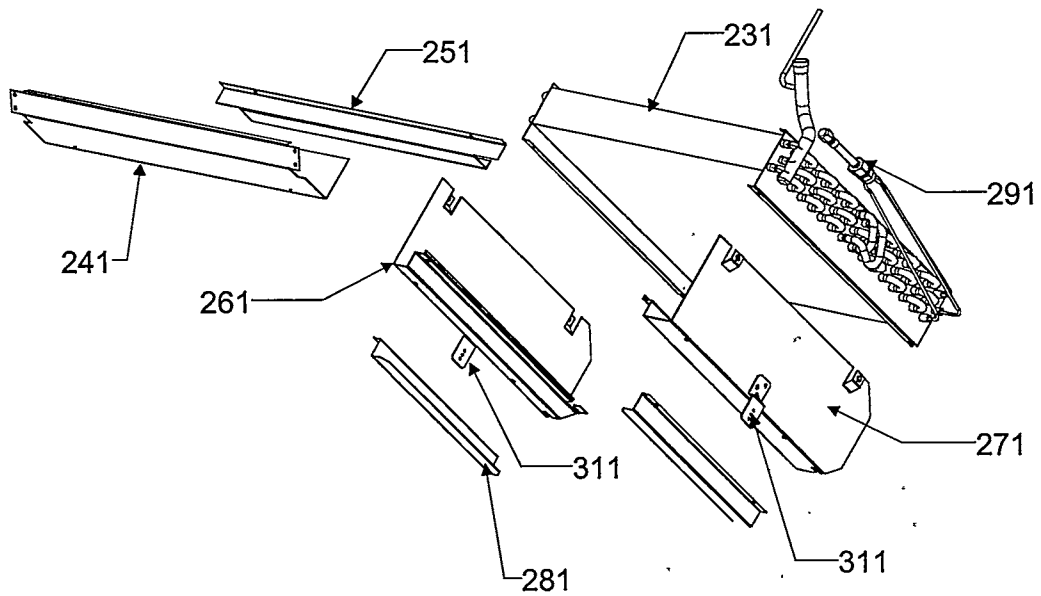


# Blower, Hydronic Coil

Ref. Part No: No:	Description:	Ref. Part No: No:	Description:
<i>Image 1:</i>		<b>Expanded Model Nomenclature</b>	
81	37970-00 ASM.; HYDRONIC COIL TUBING (COMPLETE) (M1, M2, M5, M6, M9, M10, M15, M16)	M1 - AH1826-1	
81	37970-01 ASM.; HYDRONIC COIL TUBING (COMPLETE) (M3, M4, M7, M8, M11, M12, M13, M14, M17, M18)	M2 - AH2429-1	
91	BT1400003 POWERHEAD; PUMP REPLACEMENT GRUNDFOS (M5, M6, M7, M8, M9, M10, M11, M12, M13, M14, M15, M16, M17, M18)	M3 - AH3043-1	
91	BT14000-01 POWERHEAD; PUMP REPLACEMENT TACO (M1, M2, M3, M4)	M4 - AH3645-1	
91	BT1400002 PUMP; GRUNDFOS (W/POWERHEAD) (M5, M6, M7, M8, M9, M10, M11, M12, M13, M14, M15, M16, M17, M18)	M5 - AH1826-1A	
91	BT14000-00 PUMP; TACO (W/POWERHEAD) (M1, M2, M3, M4)	M6 - AH2429-1A	
91	BT1400004 VALVE; INTERNAL CHECK (M5, M6, M7, M8, M9, M10, M11, M12, M13, M14, M15, M16, M17, M18)	M7 - AH3043-1A	
101	BT30415-01 VALVE; 1/2" SWT. HOSE BIBB	M8 - AH3645-1A	
111	37015-04 PANEL, LOWER FRONT ACCESS (M7, M8, M11, M12, M13, M14, M17, M18)	M9 - AH1826-1B	
111	37015-05 PANEL, LOWER FRONT ACCESS (QTY )	M10 - AH2429-1B	
121	37010-01 DECK, SMALL BLOWER (M1, M2, M5, M6, M9, M10, M15, M16)	M11 - AH3043-1B	
121	37010-00 DECK; LARGE BLOWER (M3, M4, M7, M8, M11, M12, M13, M14, M17, M18)	M12 - AH3645-1B	
131	37602-00S WELDMENT; BLOWER HOUSING (M1, M2, M5, M6, M9, M10, M15, M16)	M13 - AH3043-1FR	
131	37602-01S WELDMENT; BLOWER HOUSING (M3, M4, M7, M8, M11, M12, M13, M14, M17, M18)	M14 - AH3645-1FR	
141	37501-02S ASSEMBLY; LARGE BLOWER (COMPLETE) (M3, M7, M11, M13, M17)	M15 - AH1826-1C	
141	37501-03S ASSEMBLY; LARGE BLOWER (COMPLETE) (M4, M8, M12, M14, M18)	M16 - AH2429-1C	
141	37501-00S ASSEMBLY; SMALL BLOWER (COMPLETE) (M1, M5, M9, M15)	M17 - AH3043-1FRA	
141	37501-01S ASSEMBLY; SMALL BLOWER (COMPLETE) (M2, M6, M10, M16)	M18 - AH3645-1FRA	
151	BT94580-00 CAPACITOR, 5/370		
161	BT13680-08 WHEEL; 10" X 6" BLOWER (M2, M6, M10, M16)		
161	BT13680-10 WHEEL; 10" X 8" BLOWER (M4, M8, M12, M14, M18)		
161	BT13680-07 WHEEL; 9" X 6" BLOWER (M1, M5, M9, M15)		
161	BT13680-09 WHEEL; 9" X 8" BLOWER (M3, M7, M11, M13, M17)		
171	BT13400-11 MOTOR; DIRECT DRIVE, 1/3HP		
181	37008-06 BOX, ELECTRICAL JUNCTION		
181	37008-08 BOX, ELECTRICAL JUNCTION (M15, M16, M17, M18)		
191	BT13707-01 RELAY; PUMP		
201	BT13708-20 SWITCH; MOMENTARY PLUNGER		
211	B1370735 BOARD; TIME DELAY (M9, M10, M15, M16, M17, M18)		
211	BT13707-00 RELAY; TIME DELAY (M1, M2, M3, M4, M5, M6, M7, M8, M9, M10, M11, M12, M13, M14, M17, M18)		
221	BT11416-00 TRANSFORMER; 24V.		

Except in the case of AH\*FR, the last letter of the model number represents the revision level; example: AH1826-1A is AH1826-1rev.A.

# Evaporator Coil Assembly



# Evaporator Coil Assembly

Ref. Part No:	Ref. Part No:	Description:	Description:
<i>Image 1:</i>		<b>Expanded Model Nomenclature</b>	
231	37960-00	ASSEMBLY; EVAP. COIL TUBING (COMPLETE) (M1, M5, M9, M15)	M1 - AH1826-1
231	37960-01	ASSEMBLY; EVAP. COIL TUBING (COMPLETE) (M2, M6, M10, M16)	M2 - AH2429-1
231	37960-03	ASSEMBLY; EVAP. COIL TUBING (COMPLETE) (M4, M8, M12, M14, M18)	M3 - AH3043-1
231	37960-10	ASSEMBLY; EVAP. COIL TUBING (COMPLETE) (M3, M7, M11, M13, M17)	M4 - AH3645-1
241	37023-00	PLATE; LARGE CENTER TIE (M3, M4, M7, M8, M11, M12, M13, M14, M17, M18)	M5 - AH1826-1A
241	37023-01	PLATE; SMALL CENTER TIE (M1, M2, M5, M6, M9, M10, M15, M16)	M6 - AH2429-1A
251	37018-00	OFFSET; LARGE FILTER (M3, M4, M7, M8, M11, M12, M13, M14, M17, M18)	M7 - AH3043-1A
251	37018-03	OFFSET; LARGE FILTER (M11, M12, M13, M14, M17, M18)	M8 - AH3645-1A
251	37018-01	OFFSET; SMALL FILTER (M1, M2, M5, M6, M9, M10, M15, M16)	M9 - AH1826-1B
251	37018-02	OFFSET; SMALL FILTER (M9, M10, M15, M16)	M10 - AH2429-1B
261	37012-32	RAIL, LEFT GUTTER LARGE (M11, M12, M13, M14, M17, M18)	M11 - AH3043-1B
261	37012-25	RAIL, LEFT GUTTER SMALL (M9, M10, M15, M16)	M12 - AH3645-1B
261	37012-05	SUPPORT, LEFT COIL LARGE (M3, M4, M7, M8, M11, M12, M13, M14, M17, M18)	M13 - AH3043-1FR
261	37012-00	SUPPORT, LEFT COIL SMALL (M1, M2, M5, M6, M9, M10, M15, M16)	M14 - AH3645-1FR
271	37012-31	RAIL, RIGHT GUTTER LARGE (M11, M12, M13, M14, M17, M18)	M15 - AH1826-1C
271	37012-24	RAIL, RIGHT GUTTER SMALL (M9, M10, M15, M16)	M16 - AH2429-1C
271	37012-04	SUPPORT, RIGHT COIL LARGE (M3, M4, M7, M8, M11, M12, M13, M14, M17, M18)	M17 - AH3043-1FRA
271	37012-01	SUPPORT, RIGHT COIL SMALL (M1, M2, M5, M6, M9, M10, M15, M16)	M18 - AH3645-1FRA
281	37012-02	SUPPORT, LARGE FILTER (M3, M4, M7, M8, M11, M12, M13, M14, M17, M18)	
281	37012-03	SUPPORT, SMALL FILTER (M1, M2, M5, M6, M9, M10, M15, M16)	
291	BT13690-00	ASSEMBLY; FEEDER TUBE 12" X 3" .049 ORF. (M1, M5, M9, M15)	
291	BT13690-01	ASSEMBLY; FEEDER TUBE 12" X 4" .059 ORF. (M2, M6, M10, M16)	
291	BT13690-02	ASSEMBLY; FEEDER TUBE 20" X 6" .065 ORF. (M3, M7, M11, M13, M17)	
291	BT13690-03	ASSEMBLY; FEEDER TUBE 20" X 6" .071 ORF. (M4, M8, M12, M14, M18)	
311	37018-05	OFFSET BRACKET (M9, M10, M11, M12, M13, M14, M15, M16, M17, M18)	

Except in the case of AH\*FR, the last letter of the model number represents the revision level; example: AH1826-1A is AH1826-1rev.A.

