

# PRODUCT SPECIFICATIONS

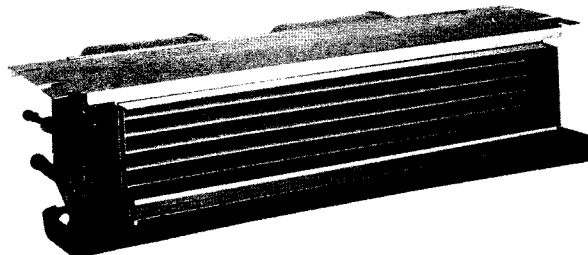


Air Conditioning & Heating

## AC SERIES 10-12 SEER

### Ceiling-Mount Air Handler

1½ to 3 Ton



*The AC ceiling-mount electric air handler allows for easy access. Its quiet operation and high performance make it a good choice for multi-family or lodging applications.*

#### Standard Features

- Galvanized steel construction
- Direct-drive, resilient-mounted, 2-speed motor
- Sequence-controlled and rust-resistant nickel chromium heating elements in 5, 6, 8 and 10 kW
- Equipped with check flowrater for heat pump application
- Quiet operation
- Primary/secondary drain connection on high-temperature plastic drain pan
- Factory-installed pull-type disconnect
- ARI-rated matched systems at 10 to 12 SEER
- Quiet operation
- Easy service access
- Steel blower wheels

#### Accessories

- Heat Pump Shut-off Relay Kit:  
HPSK-01
- Ceiling Access Panels:  
CAP-1 or 1L\* fits AC 18 & 24  
CAP-2 or 2L\* fits AC 30  
CAP-3 or 3L\* fits AC36

\*Louvered



# PRODUCT SPECIFICATIONS

## Specifications

Model	Heater KW		K-Capacity Max. BTUH		Heater Total Amps		Minimum Circuit Ampacity		Maximum Overcurrent Protection		Shipping Weight (pounds)
	230V	208V	230V	208V	230V	208V	230V	208V	230V	208V	
AC18-05D	4.8	3.9	16.4	13.4	20.9	18.9	29	27	30	30	59
AC18-06D	6.0	4.9	20.5	16.7	26.1	23.6	36	33	40	40	59
AC18-08D	7.3	6.0	24.9	20.5	31.7	28.7	43	39	45	40	59
AC24-05D	4.8	3.9	16.4	13.4	20.9	18.9	29	27	30	30	59
AC24-06D	6.0	4.9	20.5	16.7	26.1	23.6	36	33	40	40	59
AC24-08D	7.3	6.0	24.9	20.5	31.7	28.7	43	39	45	40	59
AC24-10D	9.8	8.0	33.4	27.3	42.6	38.5	56	51	60	60	59
AC30-05D	4.8	3.9	16.4	13.4	20.9	18.9	29	27	30	30	69
AC30-08D	7.3	6.0	24.9	20.5	31.7	28.7	43	39	45	40	69
AC30-10D	9.8	8.0	33.4	27.3	42.6	38.5	58	53	60	60	69
AC36-05D	-	-	-	-	-	-	-	-	-	-	76
AC36-08D	7.3	6.0	24.9	20.5	31.7	28.7	44	39	45	40	79
AC36-10D	9.8	8.0	33.4	27.3	42.6	38.5	59	54	60	60	79

### NOTE:

When the room thermostat calls for second stage heat, the first stage (heat pump) operation must be locked out. When matching the "AC" unit that has electric heat with a heat pump, order "HEAT PUMP SHUT OFF KIT HPSK-01." The ACXX-00 units do not require this kit.

## Heating Capacity/KW Correction Factor

Supply Voltage	240	230	220	210	208
Correction Factor	1.08	1.00	.92	.84	.82

(Multiply the 230-volt capacity by factors)

## Blower Performance

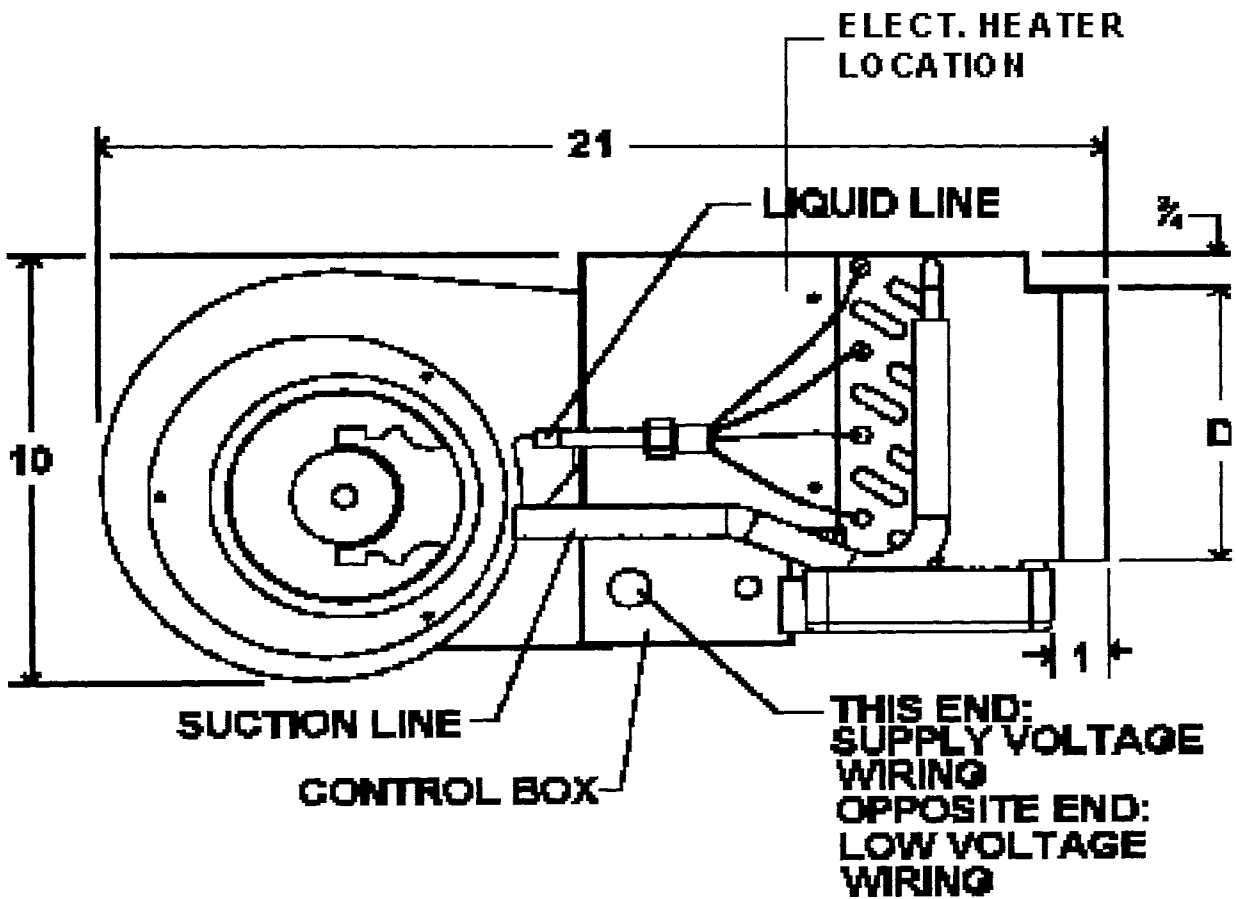
Model	Motor Speed	CFM Delivered Against External Static Pressure				
		0.1	0.2	0.3	0.4	0.5
AC18-05D AC18-06D AC18-08D	High	780	710	625	520	440
	Low	675	585	510	460	400
AC24-05D AC24-06D AC24-08D AC24-10D	High	935	880	810	735	675
	Low	720	680	630	565	490
AC30-05D AC30-08D AC30-10D	High	1,075	1,015	945	865	770
	Low	830	785	720	665	605
AC36-05D AC36-08D AC36-10D	High	1,200	1,150	1,090	1,025	945
	Low	920	880	830	770	710

Dry coil with filter in place  
208-volt operation x .96

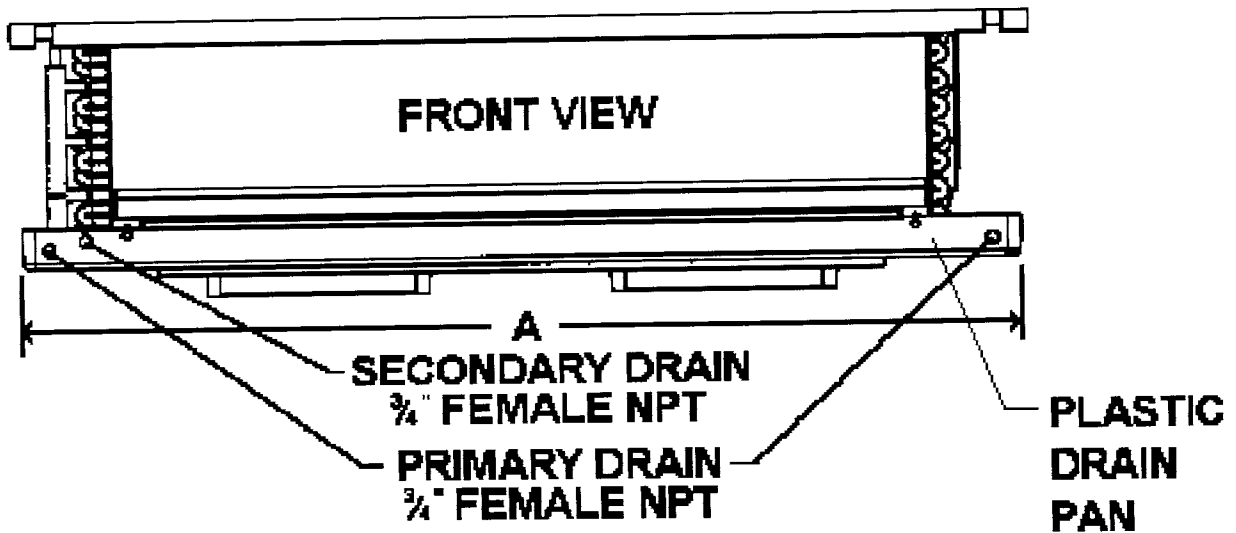
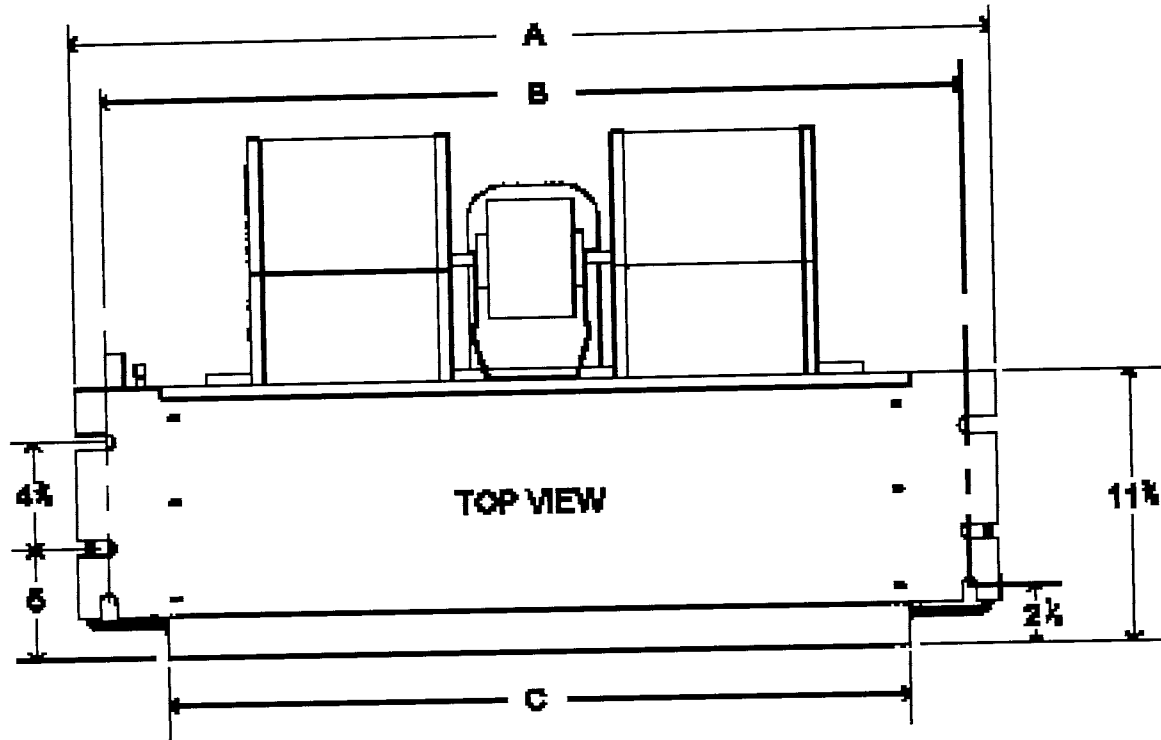
# PRODUCT SPECIFICATIONS

## Dimensions

Model	A	B	C	D
AC18-05D AC18-06D AC18-08D	37¼	34 <sup>11</sup> / <sub>16</sub>	30	6½
AC24-05D AC24-06D AC24-08D AC24-10D	37¼	34 <sup>11</sup> / <sub>16</sub>	30	6½
AC30-05D AC30-08D AC30-10D	43¼	40 <sup>11</sup> / <sub>16</sub>	36	6½
AC36-05D AC36-08D AC36-10D	49¼	46 <sup>11</sup> / <sub>16</sub>	42	6½



# PRODUCT SPECIFICATIONS



Goodman Manufacturing Company, L.P. reserves the right to discontinue, or change at any time, specifications or designs without notice or without incurring obligations.  
Copyright © 2004 Goodman Manufacturing Company, L.P. • Houston, Texas • Printed in the USA. • Goodman® brand products are made proudly in the USA.