

# Goodman®

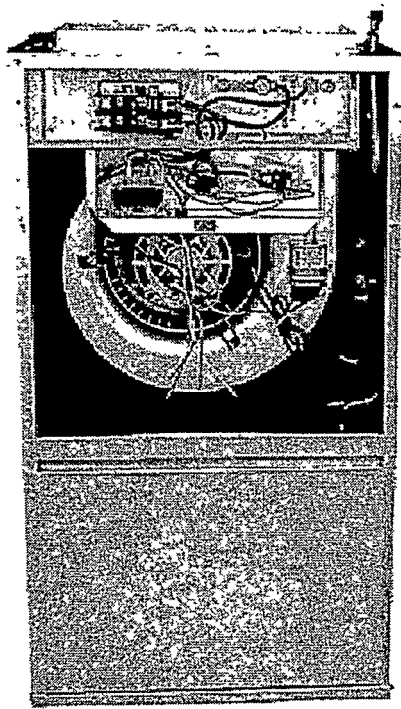
## REPAIR PARTS

### AWB18-30\*C Thru Revision C Vertical Wall or Stud Mount Air Handler

Except in the case of AWB\*FR, the last letter of the model number represents the revision level; example: AWB18-05C A is AWB18-05C rev. A.

Models covered  
in this manual

AWB18-05C  
AWB18-05C A  
AWB18-05C B  
AWB18-05C C  
AWB18-08C  
AWB18-08C A  
AWB18-08C B  
AWB18-08C C  
AWB24-05C  
AWB24-05C A  
AWB24-05C B  
AWB24-05C C  
AWB24-08C  
AWB24-08C A  
AWB24-08C B  
AWB24-08C C  
AWB24-10C  
AWB24-10C A  
AWB24-10C B  
AWB24-10C C  
AWB30-05C  
AWB30-05C A  
AWB30-05C B  
AWB30-05C C  
AWB30-08C  
AWB30-08C A  
AWB30-08C B  
AWB30-08C C  
AWB30-10C  
AWB30-10C A  
AWB30-10C B  
AWB30-10C C



Made in the USA by:  
Goodman Manufacturing Company, L.P.  
2550 North Loop West, Suite 400  
Houston Texas 77092

RP - 303  
August 2003

This manual is to be used by  
qualified technicians only.

This manual replaces RP-238F.  
Copyright © 2003 Goodman Manufacturing Company, L.P.

## Important Information

---

Goodman is not responsible for personal injury or property damage resulting from improper service. Review all service information before beginning repairs.

Warranty service must be performed by an authorized technician, using authorized factory parts. If service is required after the warranty expires, Goodman also recommends contacting an authorized technician and using authorized factory parts.

For assistance within the U.S.A. contact:  
Consumer Affairs Department  
Goodman Manufacturing Company, L.P.  
7401 Security Way  
Houston, Texas 77040  
877-254-4729-Telephone  
713-863-2382-Facsimile

For assistance outside the U.S.A. contact:  
International Division  
Goodman Manufacturing Company, L.P.  
7401 Security Way  
Houston, Texas 77040  
713-861-2500-Telephone  
713-863-2382-Facsimile

# Index

|                              |       |
|------------------------------|-------|
| Functional Parts List .....  | 4 - 5 |
| Illustration and Parts ..... | 6 - 9 |

*Views shown are for parts illustrations only, not servicing procedures.*

### Text Codes:

AR - As Required

NA - Not Available

NS - Not Shown

00000000 - See Note

QTY - Quantity Example (QTY 3) (If Quantity not shown, Quantity = 1)

M - Model Example (M1) (If M Code not shown, then part is used on all Models)

### Expanded Model Nomenclature:

|              |
|--------------|
| Example      |
| M1 - Model#1 |
| M2 - Model#2 |
| M3 - Model#3 |

# Functional Parts

**Part  
No:**

**Description:**

|           |  |
|-----------|--|
| BT1368008 | BLOWER WHEEL, 10" x 6" (M10, M11, M12, M14, M15, M16, M18, M19, M20, M22, M23, M24, M26, M27, M28, M30, M31, M32)                                  |
| BT1368007 | BLOWER WHEEL, 9" x 6" (M1, M2, M3, M4, M5, M6, M7, M8, M9, M13, M17, M21, M25, M29)  |
| 3796006S  | COIL TUBING ASSY (M2, M3, M4, M6, M7, M8)  |
| 3796005S  | COIL TUBING ASSY (M21, M25, M29)   |
| 3796004S  | COIL TUBING ASSY (M1, M5, M23, M27, M31)   |
| 3796007S  | COIL TUBING ASSY (M10, M11, M12, M14, M15, M16, M18, M19, M20)   |
| 3796008S  | COIL TUBING ASSY (M22, M23, M24, M26, M27, M28, M30, M31, M32)   |
| 3796001S  | COIL TUBING ASSY (M9, M13, M17)  |
| BT1753508 | DISCONNECT, 60 AMP WITH CLIP   |
| BT1369007 | FLOWRATER/DISTRIBUTOR ASSY (M1, M5, M23, M27, M31)   |
| BT1369005 | FLOWRATER/DISTRIBUTOR ASSY (M21, M25, M29)   |
| BT1369008 | FLOWRATER/DISTRIBUTOR ASSY (M2, M3, M4, M6, M7, M8)  |
| BT1369009 | FLOWRATER/DISTRIBUTOR ASSY (M10, M11, M12, M14, M15, M16, M18, M19, M20)   |
| BT1369010 | FLOWRATER/DISTRIBUTOR ASSY (M22, M23, M24, M26, M27, M28, M30, M31, M32)   |
| BT1369001 | FLOWRATER/DISTRIBUTOR ASSY (M9, M13, M17)  |
| BT1420014 | HEATER ELEMENT, 4.8 KW (M1, M2, M3, M4, M9, M10, M11, M12, M21, M22, M23, M24)   |
| BT1420016 | HEATER ELEMENT, 7.3 KW (M5, M6, M7, M8, M13, M14, M15, M16, M25, M26, M27, M28)  |
| BT1420024 | HEATER ELEMENT, 9.8 KW (M17, M18, M19, M20, M29, M30, M31, M32)  |
| BT1420017 | HEATER ELEMENT, 9.8 KW (M17, M29)  |
| BT1340031 | MOTOR, 1/3 HP 2 SPEED, 230 VOLT (M3, M7, M11, M15, M19, M23, M24, M27, M28, M31, M32)  |
| BT1340027 | MOTOR, 1/3 HP, 2 SPEED, 230 VOLT (M21, M22, M25, M26, M29, M30)  |
| BT1340028 | MOTOR, 1/5 HP, 2 SPEED, 230 VOLT (M1, M2, M5, M6, M9, M10, M13, M14, M17, M18)   |
| BT1340030 | MOTOR, 1/5 HP, 2 SPEED, 230 VOLT (M3, M4, M7, M8, M11, M12, M15, M16, M19, M20, M23, M27, M31)   |
| BT1243744 | PRIMARY THERMAL OVERLOAD (M1, M2, M3, M4, M5, M6, M7, M8, M9, M10, M11, M12, M13, M14, M15, M16, M17, M21, M22, M23, M24, M25, M26, M27, M28, M29) |
| BT1243746 | PRIMARY THERMAL OVERLOAD (M17, M18, M19, M20, M21, M30, M31, M32)  |
| BT1243745 | SECONDARY THERMAL OVERLOAD (QTY AR)  |
| BT1256500 | SEQUENCER (M1, M2, M3, M4, M7, M8, M15, M16, M23, M24, M31, M32)   |
| BT1256501 | SEQUENCER (M5, M6, M9, M10, M11, M12, M13, M14, M17, M18, M19, M20, M21, M22, M25, M26, M27, M28, M29, M30)  |
| BT1370700 | TIME DELAY RELAY   |
| BT1141601 | TRANSFORMER  |

Except in the case of AWB\*FR, the last letter of the model number represents the revision level;  
example: AWB18-05C A is AWB18-05C rev. A.

# Functional Parts

## Part

No: Description:

---

### SPECIAL PARTS

IO-177D I&O MANUAL  
RP-303 REPAIR PARTS MANUAL  
PW-101W5 WARRANTY

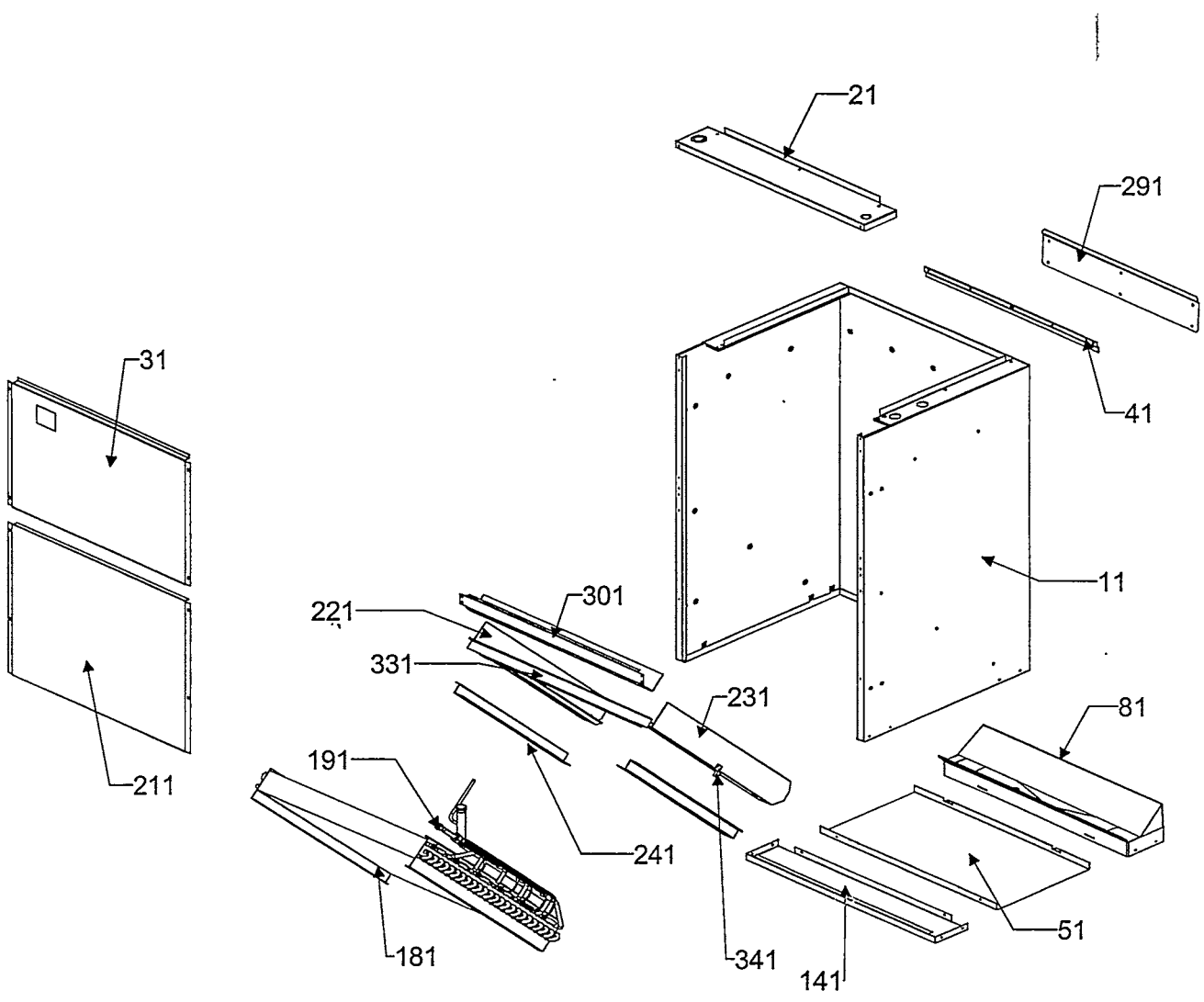
### Expanded Model Nomenclature

|                   |
|-------------------|
| M1 - AWB18-05C    |
| M2 - AWB18-05C A  |
| M3 - AWB18-05C B  |
| M4 - AWB18-05C C  |
| M5 - AWB18-08C    |
| M6 - AWB18-08C A  |
| M7 - AWB18-08C B  |
| M8 - AWB18-08C C  |
| M9 - AWB24-05C    |
| M10 - AWB24-05C A |
| M11 - AWB24-05C B |
| M12 - AWB24-05C C |
| M13 - AWB24-08C   |
| M14 - AWB24-08C A |
| M15 - AWB24-08C B |
| M16 - AWB24-08C C |
| M17 - AWB24-10C   |
| M18 - AWB24-10C A |
| M19 - AWB24-10C B |
| M20 - AWB24-10C C |
| M21 - AWB30-05C   |
| M22 - AWB30-05C A |
| M23 - AWB30-05C B |
| M24 - AWB30-05C C |
| M25 - AWB30-08C   |
| M26 - AWB30-08C A |
| M27 - AWB30-08C B |
| M28 - AWB30-08C C |
| M29 - AWB30-10C   |
| M30 - AWB30-10C A |
| M31 - AWB30-10C B |
| M32 - AWB30-10C C |

---

Except in the case of AWB\*FR, the last letter of the model number represents the revision level;  
example: AWB18-05C A is AWB18-05C rev. A.

# Chassis and Coil Tubing Assy

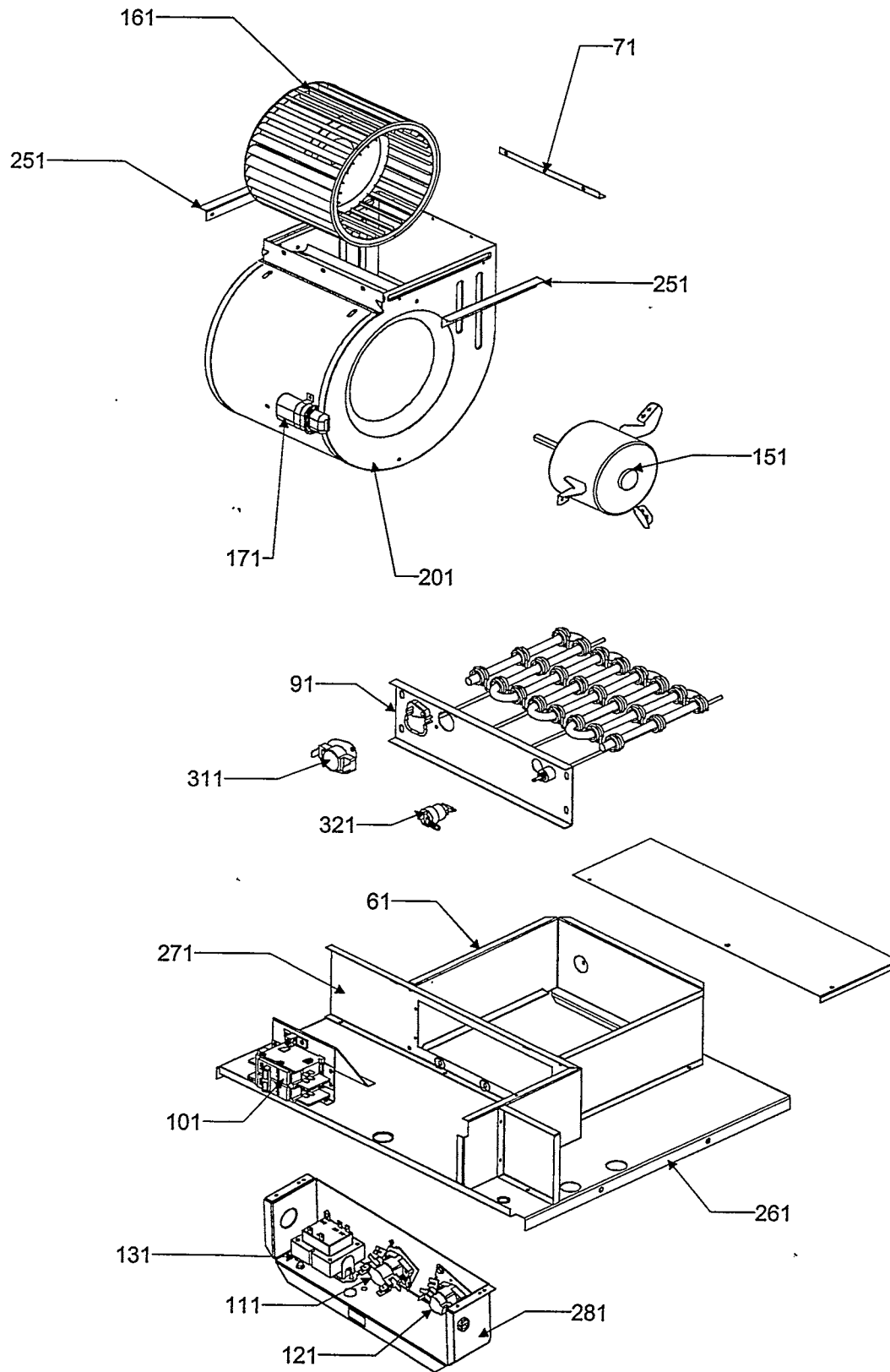


# Chassis and Coil Tubing Assy

| Ref. Part No:   | Part No:  | Description:  | Ref. Part No:   | Part No: | Description:   |
|-----------------|-----------|---|---|----------|--|
| <i>Image 1:</i> |           |   | 231   | 3701201  | COIL SUPPORT RIGHT (M1, M2, M3, M5, M6, M7, M9, M10, M11, M13, M14, M15, M17, M18, M19, M21, M22, M23, M25, M26, M27, M29, M30, M31) |
| 11              | 3770000   | ASSY; WRAPPER W/ INSULATION (M1, M2, M5, M6, M9, M10, M13, M14, M17, M18, M21, M22, M25, M26, M29, M30)                             | 231   | 3701224  | SMALL RIGHT GUTTER RAIL (M4, M8, M12, M16, M20, M24, M28, M32)   |
| 11              | 3770011   | ASSY; WRAPPER W/ INSULATION (QTY )  | 241   | 3701203  | FILTER SUPPORT (M1, M2, M3, M5, M6, M7, M9, M10, M11, M13, M14, M15, M17, M18, M19, M21, M22, M23, M25, M26, M27, M29, M30, M31)     |
| 21              | 3770001   | ASSY; WRAPPER TOP W/ INSULATION (M1, M2, M5, M6, M9, M10, M13, M14, M17, M18, M21, M22, M25, M26, M29, M30)                         | 291   | 3702800  | FIELD HANGING BRACKET  |
| 21              | 3770013   | ASSY; WRAPPER TOP W/ INSULATION (QTY )  | 301   | 3702302  | CENTER TIE PLATE   |
| 31              | 3770002   | ASSEMBLY; FRONT ACCESS PANEL W/ INSULATION (M1, M2, M5, M6, M9, M10, M13, M14, M17, M18, M21, M22, M25, M26, M29, M30)              | 331   | 3701802  | FILTER OFFSET BRACKET (M4, M8, M12, M16, M20, M24, M28, M32)   |
| 31              | 3770015   | ASSEMBLY; FRONT ACCESS PANEL W/ INSULATION (QTY )   | 341   | 3701805  | OFFSET BRACKET   |
| 41              | 3702501   | HANGING BRACKET   | <b>Expanded Model Nomenclature</b>  |          |  |
| 51              | 3770021   | ASSY; DRAIN ACCESS PANEL W/ INSULATION  | <div style="border: 1px solid black; padding: 5px;">                     M1 - AWB18-05C<br/>                     M2 - AWB18-05C A<br/>                     M3 - AWB18-05C B<br/>                     M4 - AWB18-05C C<br/>                     M5 - AWB18-08C<br/>                     M6 - AWB18-08C A<br/>                     M7 - AWB18-08C B<br/>                     M8 - AWB18-08C C<br/>                     M9 - AWB24-05C<br/>                     M10 - AWB24-05C A<br/>                     M11 - AWB24-05C B<br/>                     M12 - AWB24-05C C<br/>                     M13 - AWB24-08C<br/>                     M14 - AWB24-08C A<br/>                     M15 - AWB24-08C B<br/>                     M16 - AWB24-08C C<br/>                     M17 - AWB24-10C<br/>                     M18 - AWB24-10C A<br/>                     M19 - AWB24-10C B<br/>                     M20 - AWB24-10C C<br/>                     M21 - AWB30-05C<br/>                     M22 - AWB30-05C A<br/>                     M23 - AWB30-05C B<br/>                     M24 - AWB30-05C C<br/>                     M25 - AWB30-08C<br/>                     M26 - AWB30-08C A<br/>                     M27 - AWB30-08C B<br/>                     M28 - AWB30-08C C<br/>                     M29 - AWB30-10C<br/>                     M30 - AWB30-10C A<br/>                     M31 - AWB30-10C B<br/>                     M32 - AWB30-10C C                 </div> |          |  |
| 81              | BT3076500 | DRAIN PAN   |   |          |  |
| 81              | 3770027   | SMALL DRAIN PAN ASSY (M4, M8, M12, M16, M20, M24, M28, M32)   |   |          |  |
| 141             | 3770017   | ASSY; BOTTOM TIE PANEL W/ INSULATION  |   |          |  |
| 161             | BT1368008 | BLOWER WHEEL, 10" x 6" (M10, M11, M12, M14, M15, M16, M18, M19, M20, M22, M23, M24, M26, M27, M28, M30, M31, M32)                   |   |          |  |
| 161             | BT1368007 | BLOWER WHEEL,, 9" x 6" (M1, M2, M3, M4, M5, M6, M7, M8, M9, M13, M17, M21, M25, M29)  |   |          |  |
| 181             | 3796001S  | COIL TUBING ASSY (M9, M13, M17)   |   |          |  |
| 181             | 3796004S  | COIL TUBING ASSY (M1, M5, M23, M27, M31)  |   |          |  |
| 181             | 3796005S  | COIL TUBING ASSY (M21, M25, M29)  |   |          |  |
| 181             | 3796006S  | COIL TUBING ASSY (M2, M3, M4, M6, M7, M8)   |   |          |  |
| 181             | 3796007S  | COIL TUBING ASSY (M10, M11, M12, M14, M15, M16, M18, M19, M20)  |   |          |  |
| 181             | 3796008S  | COIL TUBING ASSY (M22, M23, M24, M26, M27, M28, M30, M31, M32)  |   |          |  |
| 191             | BT1369001 | FLOWRATER/DISTRIBUTOR ASSY (M9, M13, M17)   |   |          |  |
| 191             | BT1369005 | FLOWRATER/DISTRIBUTOR ASSY (M21, M25, M29)  |   |          |  |
| 191             | BT1369007 | FLOWRATER/DISTRIBUTOR ASSY (M1, M5, M23, M27, M31)  |   |          |  |
| 191             | BT1369008 | FLOWRATER/DISTRIBUTOR ASSY (M2, M3, M4, M6, M7, M8)   |   |          |  |
| 191             | BT1369009 | FLOWRATER/DISTRIBUTOR ASSY (M10, M11, M12, M14, M15, M16, M18, M19, M20)  |   |          |  |
| 191             | BT1369010 | FLOWRATER/DISTRIBUTOR ASSY (M22, M23, M24, M26, M27, M28, M30, M31, M32)  |   |          |  |
| 211             | 3770019   | ASSEMBLY; LOWER FRONT PANEL W/ INSULATION   |   |          |  |
| 221             | 3701200   | COIL SUPPORT LEFT (M1, M2, M3, M5, M6, M7, M9, M10, M11, M13, M14, M15, M17, M18, M19, M21, M22, M23, M25, M26, M27, M29, M30, M31) |   |          |  |
| 221             | 3701225   | SMALL LEFT GUTTER RAIL (M4, M8, M12, M16, M20, M24, M28, M32)   |   |          |  |

Except in the case of AWB\*FR, the last letter of the model number represents the revision level; example: AWB18-05C A is AWB18-05C rev. A.

# Blower and Heater Assemblies





# Blower and Heater Assemblies

| Ref. Part No:   | Description:   | Ref. Part No:                      | Description:   |
|-----------------|--|------------------------------------|--|
| <i>Image 1:</i> |  | 281 3700806                        | ELECTRICAL JUNCTION BOX (M2, M3, M4, M6, M7, M8, M10, M11, M12, M14, M15, M16, M18, M19, M20, M22, M23, M24, M26, M27, M28, M30, M31, M32)         |
| 61 3701509      | COLLAR, HEATER (M1, M2, M3, M5, M6, M7, M9, M10, M11, M13, M14, M15, M17, M18, M19, M21, M22, M23, M25, M26, M27, M29, M30, M31)         | 311 BT1243744                      | PRIMARY THERMAL OVERLOAD (M1, M2, M3, M4, M5, M6, M7, M8, M9, M10, M11, M12, M13, M14, M15, M16, M17, M21, M22, M23, M24, M25, M26, M27, M28, M29) |
| 61 3701522      | COLLAR, HEATER (M3, M4, M7, M8, M11, M12, M15, M16, M19, M20, M23, M24, M27, M28, M31, M32)  | 311 BT1243746                      | PRIMARY THERMAL OVERLOAD (M17, M18, M19, M20, M21, M30, M31, M32)  |
| 71 3702700      | ANGLE; 9" BLOWER   | 321 BT1243745                      | SECONDARY THERMAL OVERLOAD (QTY AR)  |
| 91 BT1420014    | HEATER ELEMENT, 4.8 KW (M1, M2, M3, M4, M9, M10, M11, M12, M21, M22, M23, M24)   | <b>Expanded Model Nomenclature</b> |  |
| 91 BT1420016    | HEATER ELEMENT, 7.3 KW (M5, M6, M7, M8, M13, M14, M15, M16, M25, M26, M27, M28)  | M1 - AWB18-05C                     |  |
| 91 BT1420017    | HEATER ELEMENT, 9.8 KW (M17, M29)  | M2 - AWB18-05C A                   |  |
| 91 BT1420024    | HEATER ELEMENT, 9.8 KW (M17, M18, M19, M20, M29, M30, M31, M32)  | M3 - AWB18-05C B                   |  |
| 101 BT1753508   | DISCONNECT, 60 AMP WITH CLIP   | M4 - AWB18-05C C                   |  |
| 111 BT1256500   | SEQUENCER (M1, M2, M3, M4, M7, M8, M15, M16, M23, M24, M31, M32)   | M5 - AWB18-08C                     |  |
| 111 BT1256501   | SEQUENCER (M5, M6, M9, M10, M11, M12, M13, M14, M17, M18, M19, M20, M21, M22, M25, M26, M27, M28, M29, M30)                              | M6 - AWB18-08C A                   |  |
| 121 RT1370700   | TIME DELAY RELAY   | M7 - AWB18-08C B                   |  |
| 131 BT1141601   | TRANSFORMER  | M8 - AWB18-08C C                   |  |
| 151 BT1340031   | MOTOR, 1/3 HP 2 SPEED, 230 VOLT (M3, M7, M11, M15, M19, M23, M24, M27, M28, M31, M32)  | M9 - AWB24-05C                     |  |
| 151 BT1340027   | MOTOR, 1/3 HP, 2 SPEED, 230 VOLT (M21, M22, M25, M26, M29, M30)  | M10 - AWB24-05C A                  |  |
| 151 BT1340028   | MOTOR, 1/5 HP, 2 SPEED, 230 VOLT (M1, M2, M5, M6, M9, M10, M13, M14, M17, M18)   | M11 - AWB24-05C B                  |  |
| 151 BT1340030   | MOTOR, 1/5 HP, 2 SPEED, 230 VOLT (M3, M4, M7, M8, M11, M12, M15, M16, M19, M20, M23, M27, M31)   | M12 - AWB24-05C C                  |  |
| 171 BT9458000   | CAPACITOR, 5 MFD (M1, M2, M5, M6, M9, M10, M13, M14, M17, M18, M21, M22)   | M13 - AWB24-08C                    |  |
| 171 BT9458003   | CAPACITOR, 7.5 MFD (M3, M4, M7, M8, M11, M12, M15, M16, M19, M20, M21, M22, M23, M24, M25, M26, M27, M28, M29, M30, M31, M32)            | M14 - AWB24-08C A                  |  |
| 201 3760200S    | BLOWER HOUSING ASSY  | M15 - AWB24-08C B                  |  |
| 251 3702702     | BLOWER ANGLE   | M16 - AWB24-08C C                  |  |
| 261 3701003     | BLOWER DECK (M1, M2, M3, M5, M6, M7, M9, M10, M11, M13, M14, M15, M17, M18, M19, M21, M22, M23, M25, M26, M27, M29, M30, M31)            | M17 - AWB24-10C                    |  |
| 261 3701004     | BLOWER DECK (QTY )   | M18 - AWB24-10C A                  |  |
| 271 3700802     | PANEL; HEATER MOUNTING (M1, M2, M3, M5, M6, M7, M9, M10, M11, M13, M14, M15, M17, M18, M19, M21, M22, M23, M25, M26, M27, M29, M30, M31) | M19 - AWB24-10C B                  |  |
| 271 3700805     | PANEL; HEATER MOUNTING (QTY )  | M20 - AWB24-10C C                  |  |
| 281 3700803     | ELECTRICAL JUNCTION BOX (M1, M5, M9, M13, M17, M21, M25, M29)  | M21 - AWB30-05C                    |  |
|                 |  | M22 - AWB30-05C A                  |  |
|                 |  | M23 - AWB30-05C B                  |  |
|                 |  | M24 - AWB30-05C C                  |  |
|                 |  | M25 - AWB30-08C                    |  |
|                 |  | M26 - AWB30-08C A                  |  |
|                 |  | M27 - AWB30-08C B                  |  |
|                 |  | M28 - AWB30-08C C                  |  |
|                 |  | M29 - AWB30-10C                    |  |
|                 |  | M30 - AWB30-10C A                  |  |
|                 |  | M31 - AWB30-10C B                  |  |
|                 |  | M32 - AWB30-10C C                  |  |

Except in the case of AWB\*FR, the last letter of the model number represents the revision level; example: AWB18-05C A is AWB18-05C rev. A.